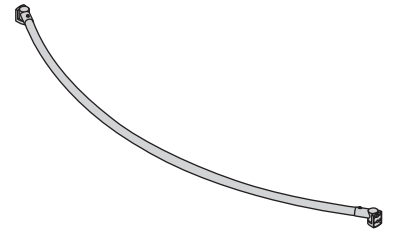


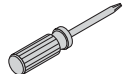
353SR-5
Dia[™] Curved Shower Rod
Operation & Maintenance Manual

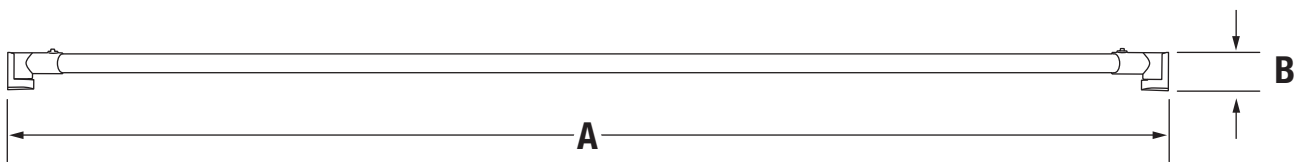


Model Number	Specifications
<input type="checkbox"/> 353SR-5 <i>5' Curved Shower Rod</i>	<p>5' curved shower rod made from metal materials plated in standard polished chrome finish.</p> <hr/> <p>Warranty</p> <p>Limited Lifetime - to the original end purchaser in consumer installations. 5 Years - for commercial installations.</p> <p>Refer to www.symmons.com/warranty for complete warranty information.</p>

Dimensions

Measurements	
A	60", 1524 mm
B	2 1/8", 54 mm
C	10 1/2", 267 mm

Required for Installation	
Phillips head screwdriver	



Note: Dimensions are subject to change without notice.

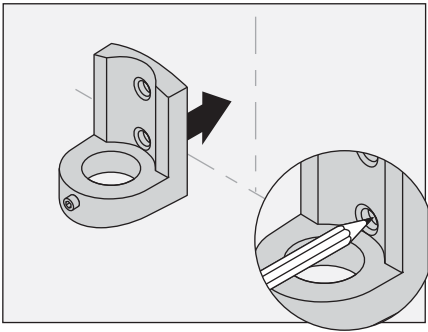
353SR-5

Dia™ Curved Shower Rod

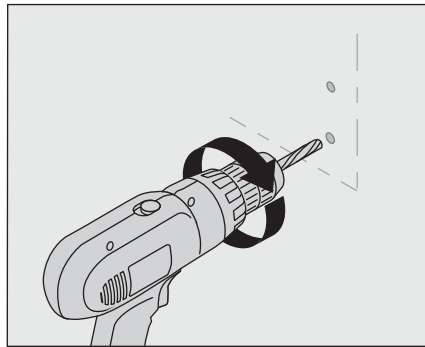
Operation & Maintenance Manual

Installation

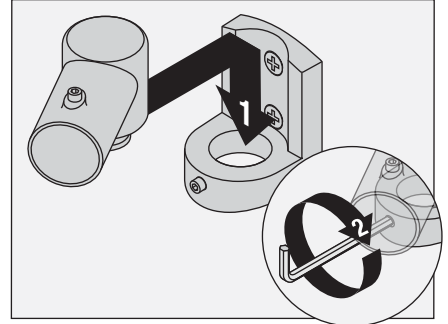
1) Position mounting brackets into desired location. Mark hole positions with pencil.



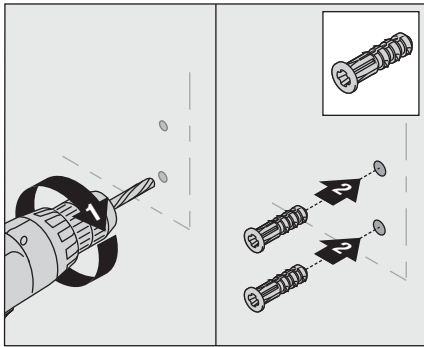
2b) **Stud Option:** Carefully drill 3/16" holes through wall and into studs.



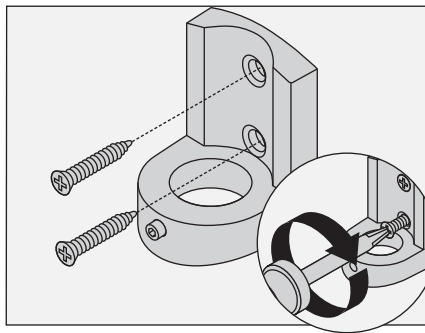
4) Insert rod brackets into mounting brackets and secure with Allen screws.



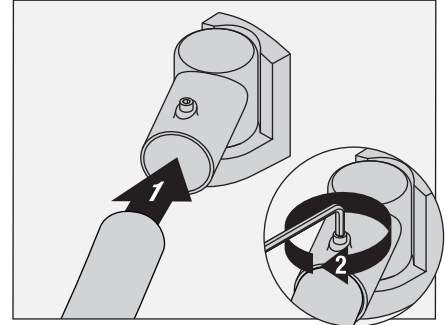
2a) **Dry Wall Option:** Carefully drill 3/16" holes into wall. Install anchors into holes.



3) With mounting brackets in position, secure to wall using screws.



5) Insert shower rod into rod brackets and secure with Allen screws.



Care and Cleaning

1) Clean finished trim area with a soft cloth using mild soap and water or a non-abrasive cleaner and then quickly rinse with water.