
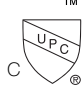

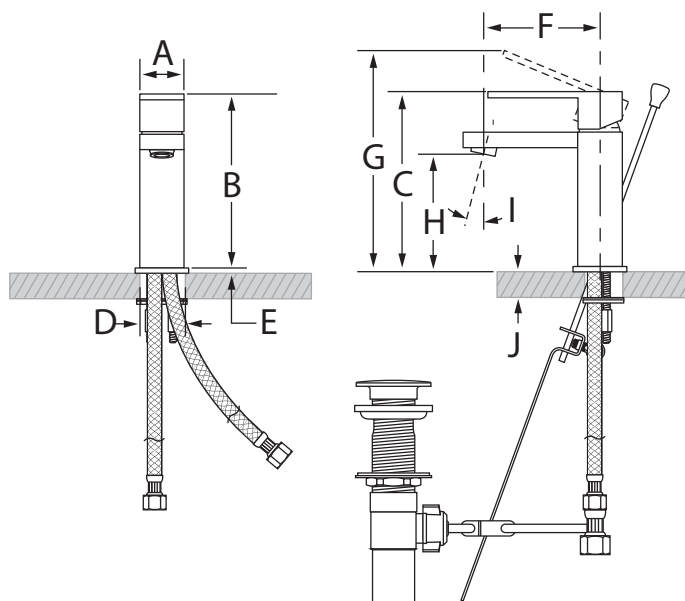


SLS-3610-1.5, SLS-3612-1.5
Duro™ Single Handle Lavatory Faucet Series
Operation & Maintenance Manual

Model Numbers	Specifications
<input type="checkbox"/> SLS-3610-1.5 <i>Duro Single Handle Lavatory Faucet (drain not included)</i> <input type="checkbox"/> SLS-3612-1.5 <i>Duro Single Handle Lavatory Faucet</i>	Single handle lavatory faucet includes ceramic cartridge, braided hose connections, lift rod, metal drain assembly and 1.5 gpm (5.7 L/min) flow restrictor (lift rod and metal drain assembly not included with SLS-3610-1.5). Components made from metal and nonmetallic materials plated in standard polished chrome finish.
Modifications	Compliance
<input type="checkbox"/> -1.0  <i>1.0 gpm (3.8 L/min) flow restrictor outlet spray</i> <input type="checkbox"/> Delete Suffix 1.5 <i>2.2 gpm (8.3 L/min) flow restrictor outlet spray</i> <input type="checkbox"/> -DP4 <i>4" deck plate for single hole mounting (Chrome faucets only)</i> <input type="checkbox"/> -STN <i>Satin nickel finish</i>	-ASME A112.18.1; CSA B125.1 -CA 116875 (AB 1953) -NSF/ANSI 61.9; NSF/ANSI 372 -US S.3874 -WaterSense 1.5 gpm (5.7 L/min) <div style="text-align: right;">   </div>
Warranty Limited Lifetime - to the original end purchaser in consumer/residential installations. 5 Years - for industrial/commercial installations. Refer to www.symmons.com/warranty for complete warranty information.	

Note: Append appropriate -suffix to model number.

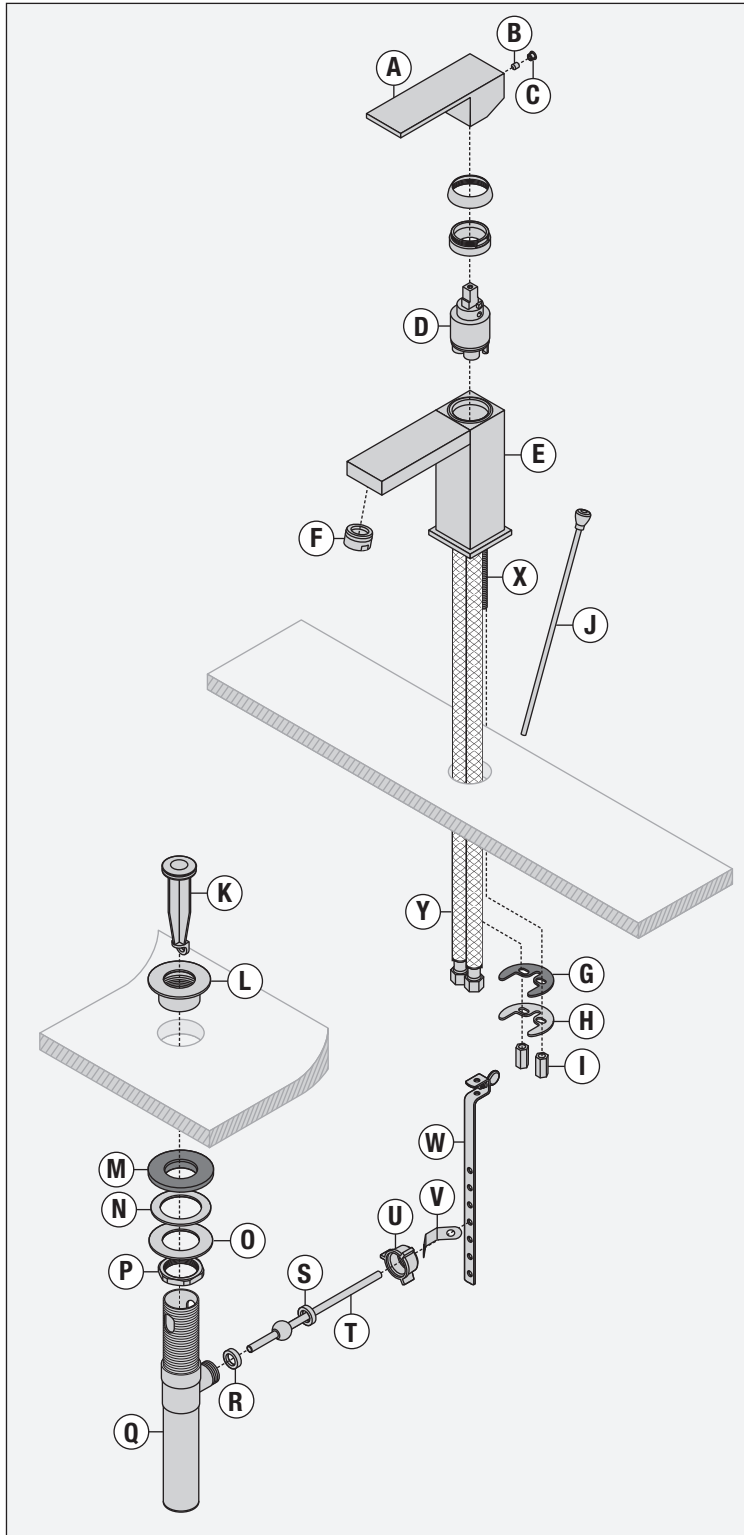
Dimensions



Measurements	
A	1 11/16", 43 mm
B	6 13/16", 173 mm
C	7", 178 mm
D	Min. 1 1/4", 32 mm Max. 1 3/8", 35 mm
E	3/16", 5 mm
F	4 1/4", 108 mm
G	8 1/4", 210 mm
H	4 5/16", 110 mm
I	12°
J	Min. 7/8", 22 mm Max. 2 3/8", 60 mm

Note: Dimensions are subject to change without notice.

Parts Breakdown







Replacement Parts

Item	Description	Part Number
A	Handle	
B	Set Screw	
C	Plug Button	LN-01416*
D	Cartridge	LN-01417*
F	Aerator Aerator 1.5 Aerator 0.5	LN-15* FLR-110-1.5* RL-019*
J	Lift Rod	RL-015*
K	Stopper	RL-016*
T	Ball Rod	RL-014*
G, H	Mounting Gaskets (2x)	
I	Fasteners	RL-011
Y	Supply Hose	

Note:

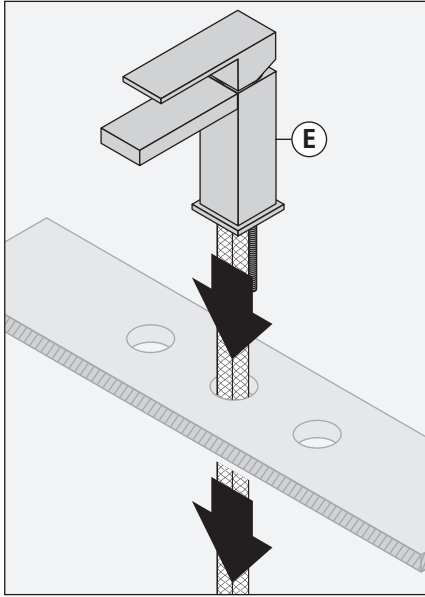
*Append -STN to part number for satin nickel finish.

Required for Installation

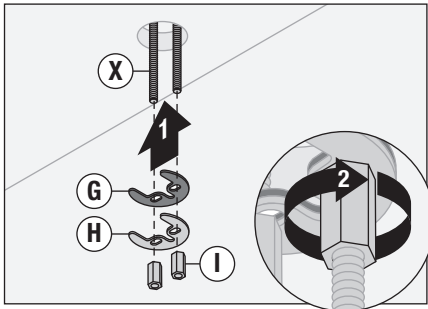
Adjustable wrench	
Allen wrench, 3/16"	
Plumber tape	
Plumber putty	

Installation

1) Insert faucet body (E) through deck surface.

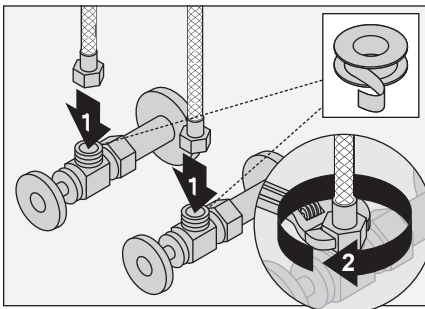


2) Slide mounting gasket (G) and metal washer (H) on to fasteners (X). Secure with mounting nuts (I).

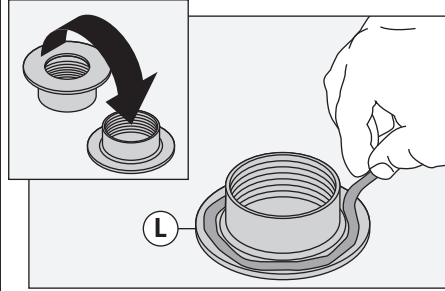


Note: Hoses removed for clarity.

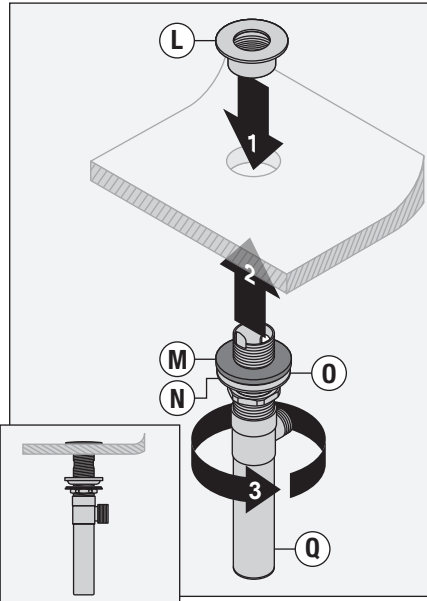
3) Install teflon tape to inlets of shut-off valves. Attach supply lines to shut-off valves and hand tighten. Using a wrench, finish with one-half turn. **DO NOT** overtighten.



4) Apply plumber putty to underside of flange (L).

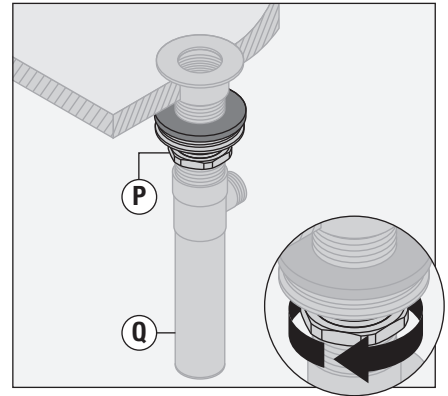


5) Insert flange (L) into drain opening. From below, attach drain body (Q) with washers (M, N, and O) to flange (2-3 turns until hand tight).



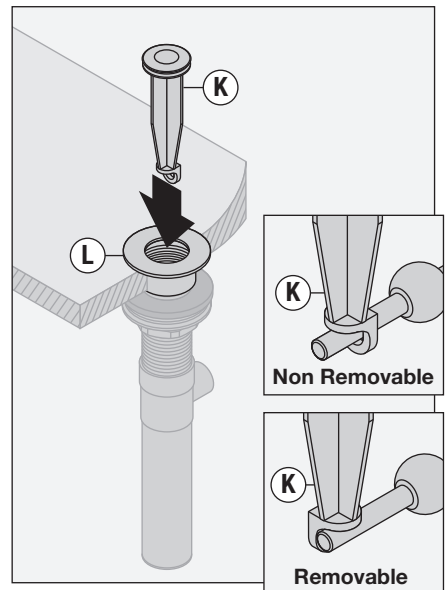
Note: Make sure drain cavity (on drain body) faces rear of sink.

6) From below, tighten flange nut (P) to secure drain body (Q). **DO NOT** overtighten.



Note: Make sure flange is centered in drain opening.

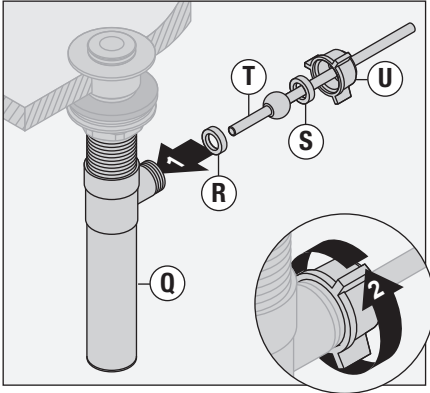
7) Insert stopper (K) into flange (L) and rotate to proper position.



Note: Stopper can be installed removable or non-removable determined by eye hole position.

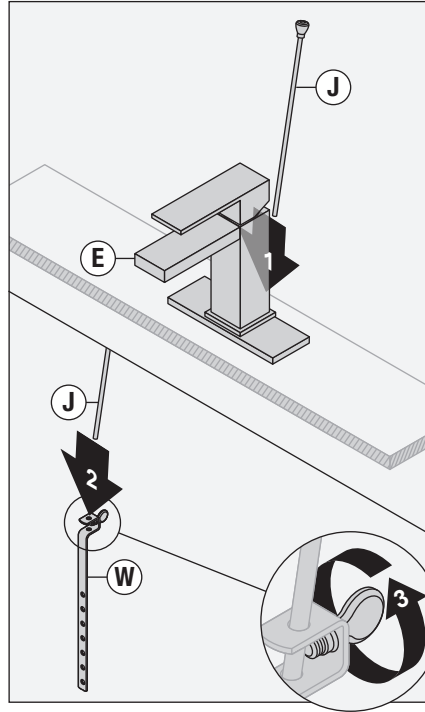
Installation

- 8) Insert pivot rod (T) into drain body (Q) against inner seat (R). Install outer seat (S) against pivot ball and secure assembly by tightening retaining nut (U).

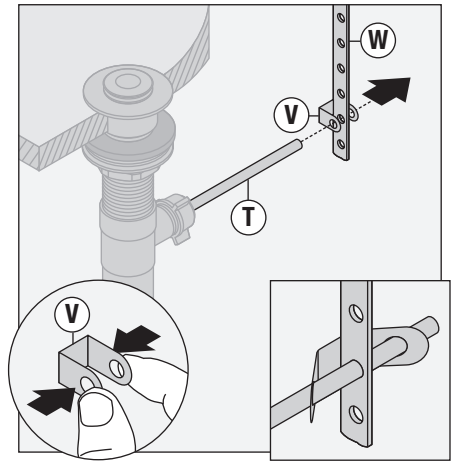


Note: Pivot rod passes under stopper.

- 9) Insert lift rod (J) into back of faucet body (E). From below, attach clevis strap (W) to lift rod (J). Tighten thumb screw to secure.



- 10) With stopper in closed location, insert pivot rod (T) into clevis strap (W). Secure with spring clip (V).



- 11) To adjust stopper, select another hole in clevis strap or loosen thumb screw to slightly raise or lower lift rod.

- 12) Attach drain body to drain trap.

Care and Cleaning

- 1) Clean finished trim area with a soft cloth using mild soap and water or a non-abrasive cleaner and then quickly rinse with water.

Troubleshooting Chart

Problem	Cause	Solution
Finish is spotting.	Elements in water supply may cause water staining on finish.	Clean finished trim area with a soft cloth using mild soap and water or a non-abrasive cleaner and then quickly rinse with water.
Faucet is leaking from handle or faucet body.	Cartridge o-rings are worn or foreign matter (dirt, chips) is lodged between cartridge and o-rings.	Remove cartridge and inspect for foreign matter. Replace cartridge if necessary.
Faucet no longer maintains desired temperature.	Hard water deposits inside of cartridge is preventing accurate mix of hot and cold water.	Soak cartridge in white vinegar for 1 hour to breakdown hard water deposits, then rinse with water. Replace cartridge if necessary.