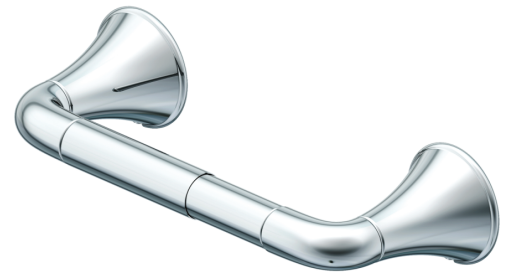



Location:



553TP  
Toilet Paper Holder  
**Specification Submittal**

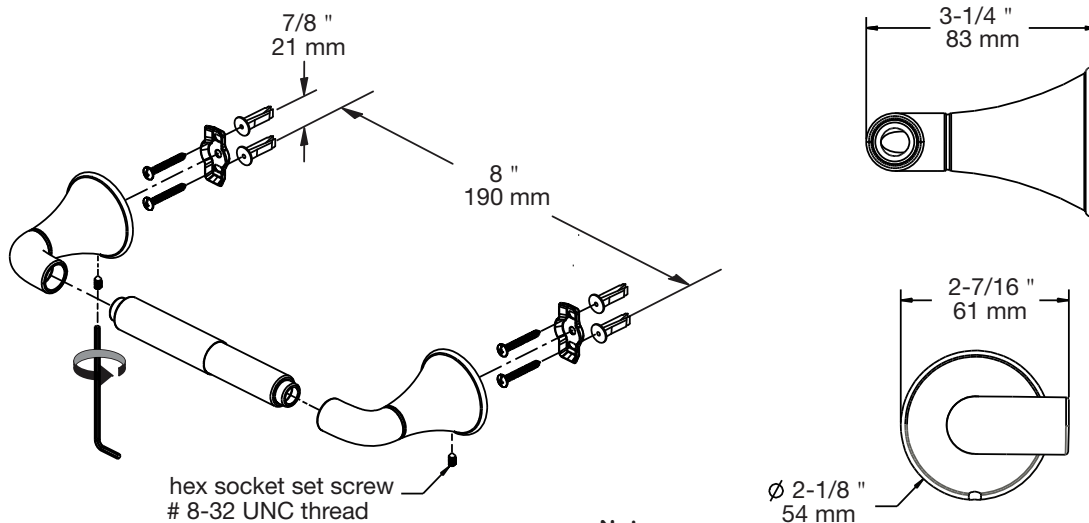
Model Numbers	Feature Highlights
<input type="checkbox"/> <b>553TP</b> Toilet Paper Holder	<ul style="list-style-type: none"><li>• Metal construction</li><li>• Standard finish is polished chrome</li></ul>
Options/ Modifications	
<input type="checkbox"/> <b>SBZ</b> Seasoned Bronze <input type="checkbox"/> <b>STN</b> Satin Nickel finish <input type="checkbox"/> <b>MB</b> Matte Black finish <input type="checkbox"/> <b>BBZ</b> Brushed Bronze finish	<h3 data-bbox="815 772 1531 829">Warranty</h3> <p data-bbox="815 840 1266 934"><b>Limited Lifetime</b> - to the original end purchaser in consumer/residential installations.</p> <p data-bbox="815 934 1266 1050"><b>10 Years</b> - for commercial/industrial installations. Refer to <a href="http://www.symmons.com/warranty">www.symmons.com/warranty</a> for complete warranty information.</p> 

**Note:** Append appropriate -suffix to model number.

### Architectural/ Engineering Specification

Symmons Elm Toilet Paper Holder \_\_\_\_\_ Includes Metal construction, Standard finish is polished chrome. 10 Year Commercial Warranty. Available options: "SBZ - Seasoned Bronze", "STN - Satin Nickel finish", "MB - Matte Black finish", "BBZ - Brushed Bronze finish".

### Dimensions



**Note:**  
1) Dimensions subject to change without notice.