

Location:


SYMMONS® Lig-Res™
Shower Valve Trim 5700-TRM
Ligature resistant
Specification Submittal



Feature Highlights

- Symmons Shower Control Valve Trim with ligature resistant knob
- Trim is used with Symmons Temptrol® pressure-balancing control valves
- Vandal-resistant knob attachment
- Easy 3 vandal resistant screw installation
- Metal construction
- Polished chrome finish (standard)

Model Numbers

- 5700-TRM. Shower Valve Trim
(Symmons control valve not included)

Finish Options / Modifications

Append appropriate -suffix to model number

- Polished Chrome (standard finish)

Disclaimers

- Product is designed to reduce likelihood that unit can be used as a device for hanging
- Product is not a substitute for the evaluation, treatment or appropriate supervision of persons at risk of suicide

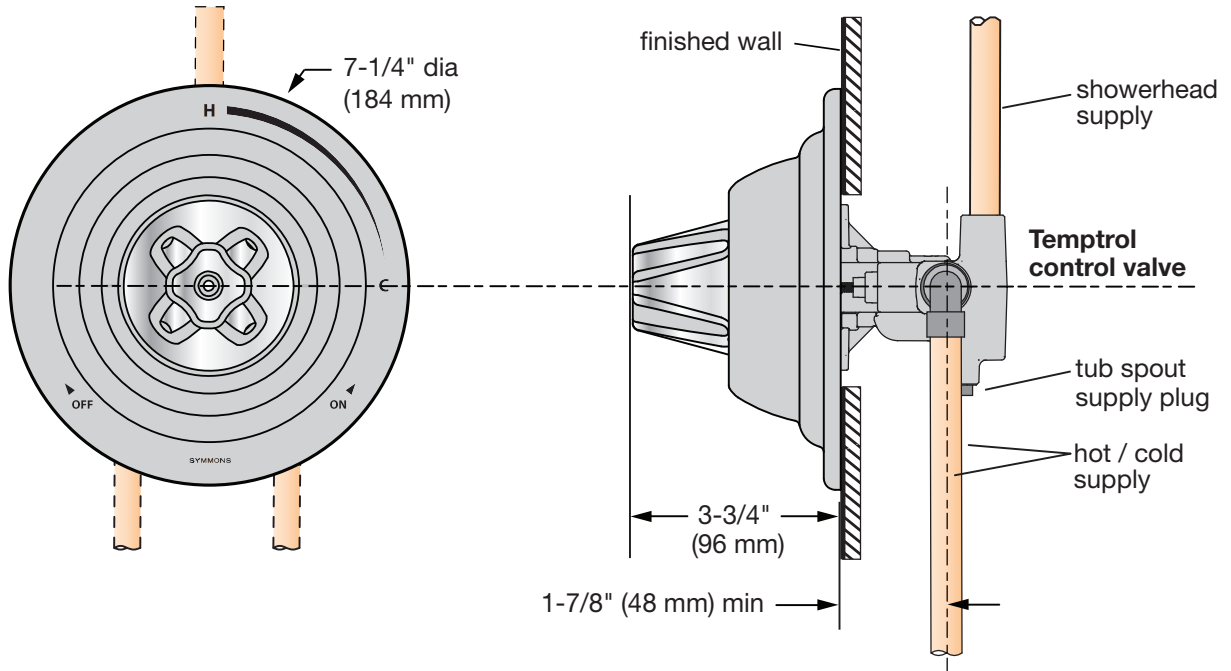
Standards / Certifications

ASME A112.18.1-2005/CSA B125.1-05

Warranty

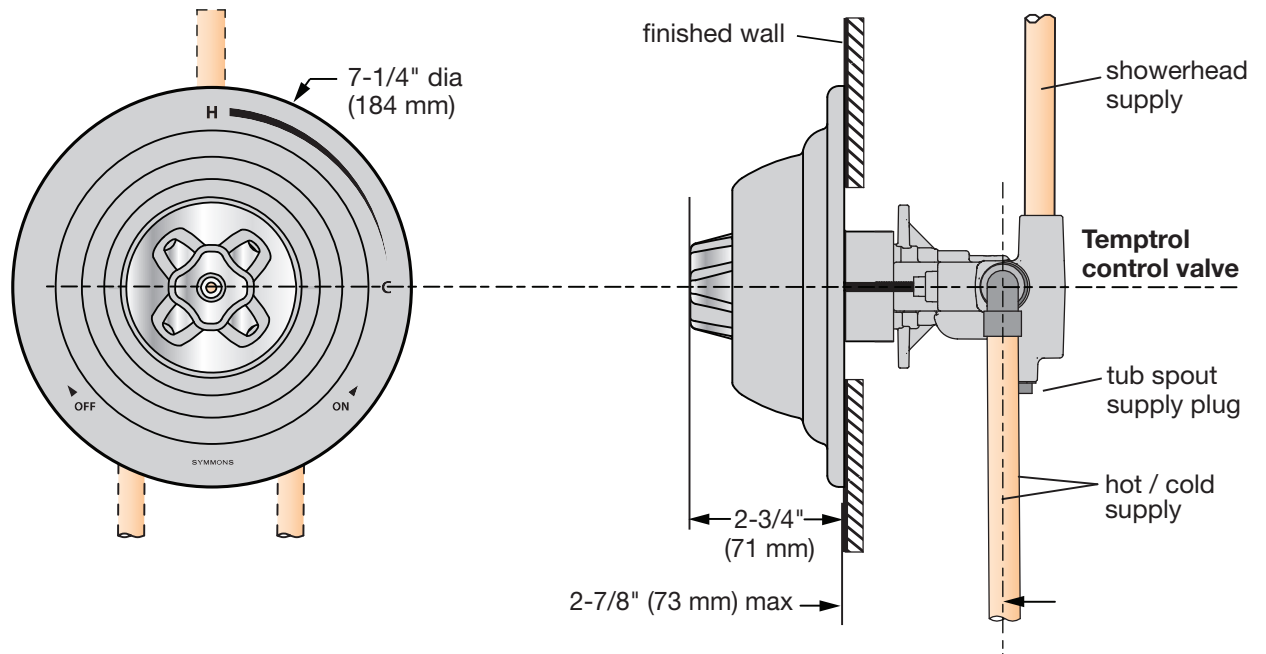
- Limited Lifetime - to the original end purchaser in consumer installations.
 - 5 years - for commercial installations
-

Dimensions Lig-Res Shower Valve Trim, 5700-TRM (Minimum rough installation)



Note: Dimensions subject to change without notice

Dimensions Lig-Res Shower Valve Trim, 5700-TRM (Maximum rough installation)



Note: Dimensions subject to change without notice