

Location:

SYMMONS® Temptrol®

Shower Mixing Valve 46-1X-BODY Specification Submittal



Model Numbers

- 46-1X-BODY..... 3-Port Temptrol shower mixing valve with integral service stops

Modifications

- IPS 1/2" female IPS connections
- REV Reverse coring, hot on right, cold on left, for back to back installations
- CHKS Integral check stops - for use in installations where a positive shut-off device is used downstream of valve

Feature Highlights

- Symmons Temptrol 3-port pressure balancing mixing valve with adjustable stop screw to limit handle turn
- Integral service stops to allow water shut-off for servicing valve
- Input and output ports, 1/2 inch sweat

Standards / Certifications

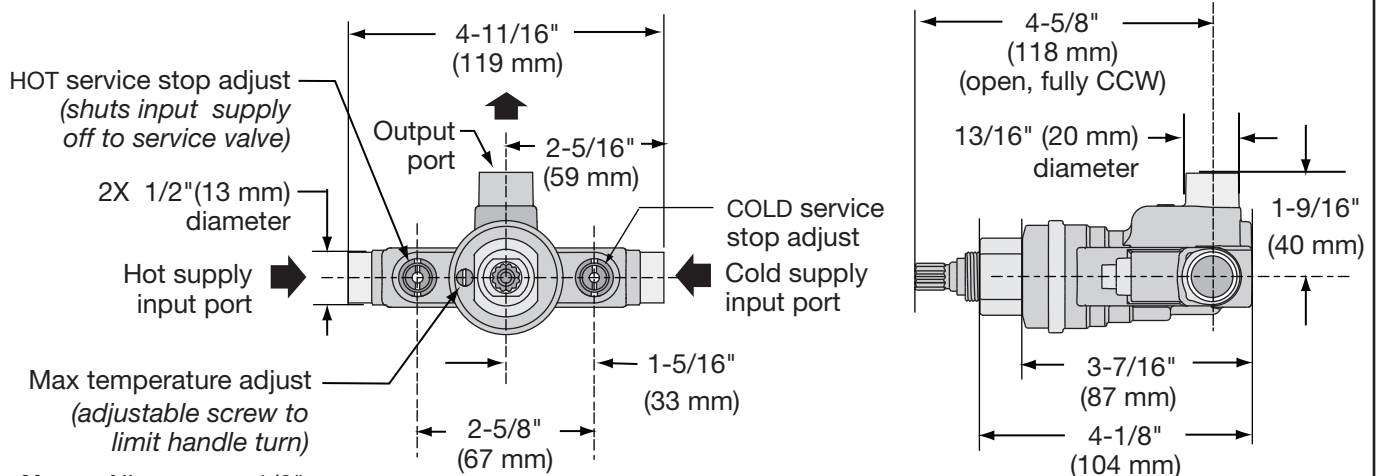
ASME A112.18.1/CSA B125.1
ASSE 1016



Warranty

- Limited Lifetime - to the original end purchaser in residential/consumer installations.
- 5 years - for commercial installations

Dimensions *Temptrol Shower Mixing Valve, 3-port valve with service stops*



Symmons Industries, Inc. ■ 31 Brooks Drive ■ Braintree, MA 02184
Phone: (800) 796-6667 ■ Fax: (800) 961-9621
Website: symmons.com ■ Email: gethelp@symmons.com

Copyright © 2016 Symmons Industries, Inc. Printed in U.S.A. ■ ZV-1518 REV B ■ 112216

SYMMONS®
the smart choice™