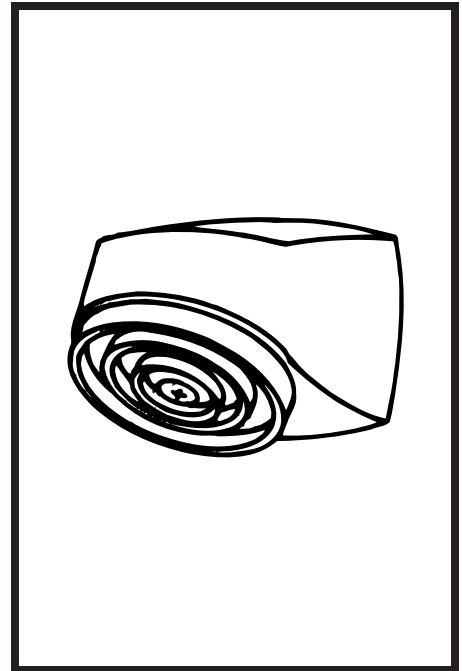


4-151 Symmons® Universal Institutional Shower Heads

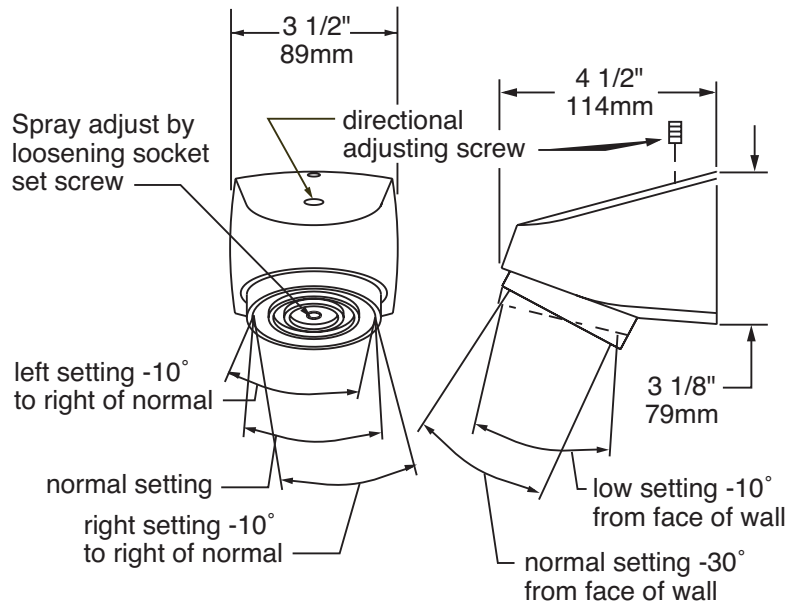
Symmons Universal Institutional shower head with mounting bracket and fasteners.

Modifications:

- Suffix A:** Anchor plate for use with ceramic tile
- Suffix B:** Back plate and bolts for extra thick wall
- Suffix 2.0:** 2.0 gpm (7.8 L/min) flow rate



**SYMMONS PRODUCTS MEET
ANSI A112.18.1M, EPA '92
AND ALL KNOWN FLOW RATE
REQUIREMENTS.
Shower Heads and Hand Showers
2.5 GPM (9.5 L/min)**



Job/Location

.....
.....

Engineer

.....
.....

Contractor

.....
.....

For ADA compliance (Americans with Disabilities Act) consult ADAAG or your state regulations for proper product choice and mounting locations.

Symmons Industries, Inc. ■ 31 Brooks Drive ■ Braintree, MA 02184
(800) 796-6667, (781) 848-2250 ■ Fax (800) 961-9621, (781) 843-3849
Website: www.symmons.com ■ Email: customerservice@symmons.com

