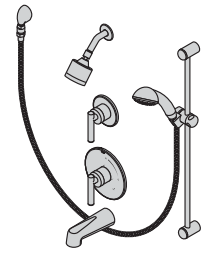







3503-H321-V-CYL-B-TRM, 3505-H321-V-CYL-B-TRM,
3506-H321-V-CYL-B-TRM

Dia™ Trim Series

Operation & Maintenance Manual



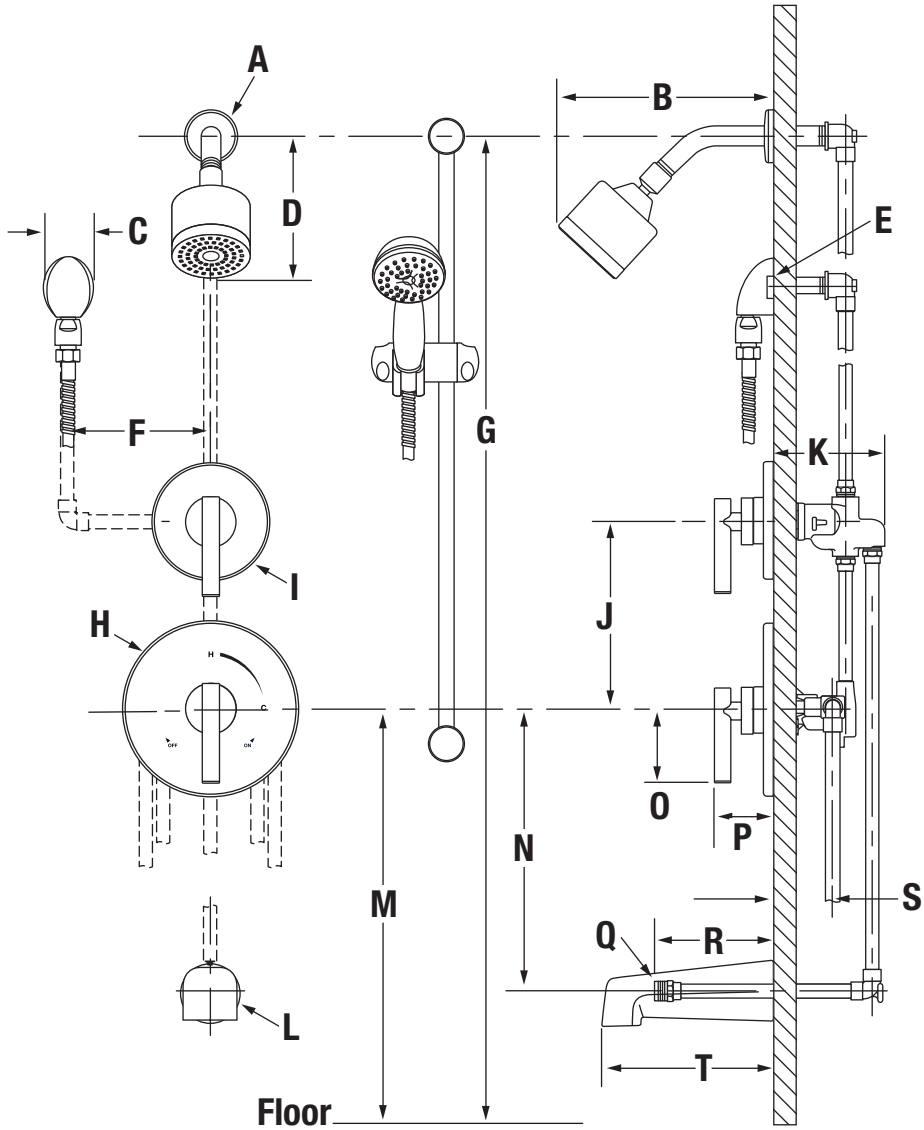
Model Numbers	Specifications
<input type="checkbox"/> 3503-H321-V-CYL-B-TRM <i>Dia Hand Shower Trim</i> <input type="checkbox"/> 3505-H321-V-CYL-B-TRM <i>Dia Shower/Hand Shower Trim</i> <input type="checkbox"/> 3506-H321-V-CYL-B-TRM <i>Dia Tub/Shower Trim with Hand Shower</i>	<p>Tub/shower trim with hand shower and lever handle includes wall connection, 30" slide bar, non-diverter tub spout (067), in-line vacuum breaker, flexible metal hose, 1 mode hand shower (EF-100) and 1 mode showerhead (352SH) with standard 2.5 gpm (9.5 L/min) flow restrictor. Shower trim with hand shower includes all of the above less non-diverter tub spout. Dia shower trim includes all of the above less non-diverter tub spout and 1 mode showerhead.</p>
Modifications	Compliance
<input type="checkbox"/> -1.5  1.5 gpm (5.7 L/min) flow restrictor <input type="checkbox"/> -2.0  2.0 gpm (7.6 L/min) flow restrictor <input type="checkbox"/> Delete Suffix B <i>Chrome plastic escutcheon on valve with color graphics/indicators in place of standard brass escutcheon</i> <input type="checkbox"/> -LP <i>Loop handle</i> <input type="checkbox"/> -LR <i>Lever handle</i> <input type="checkbox"/> -SS <i>Slip spout on any tub and shower unit</i> <input type="checkbox"/> -STN <i>Satin nickel finish</i>	<p>-ASME A112.18.1/CSA B125.1</p>  <p>Warranty</p> <p>Limited Lifetime - to the original end purchaser in consumer installations. 5 Years - for commercial installations.</p> <p>Refer to www.symmons.com/warranty for complete warranty information.</p>
<p>Note: Append appropriate -suffix to model number.</p>	

3503-H321-V-CYL-B-TRM, 3505-H321-V-CYL-B-TRM,
3506-H321-V-CYL-B-TRM

Dia™ Trim Series

Operation & Maintenance Manual

Dimensions



Measurements	
A	Ø 2 1/2", 64 mm
B	6 3/4", 171 mm
C	2 1/8", 54 mm
D	5 1/2", 140 mm
E	1/2" I.P.S. thread must be recessed 1/4" from finished wall
F	6", 152 mm right or left
G	77", 1956 mm
H	Ø 7 3/4", 197 mm
I	Ø 5", 127 mm
J	8", 203 mm
K	4 3/4", 121 mm
L	Ø 2 1/2", 64 mm
M	32", 813 mm
N	12", 305 mm
O	3", 76 mm
P	2 7/8", 73 mm
Q	12" - 14 NPT
R	5 1/4", 133 mm
S	Rough-in 2 3/8" ± 1/2", 60 mm ± 13 mm
T	7", 178 mm

Notes:

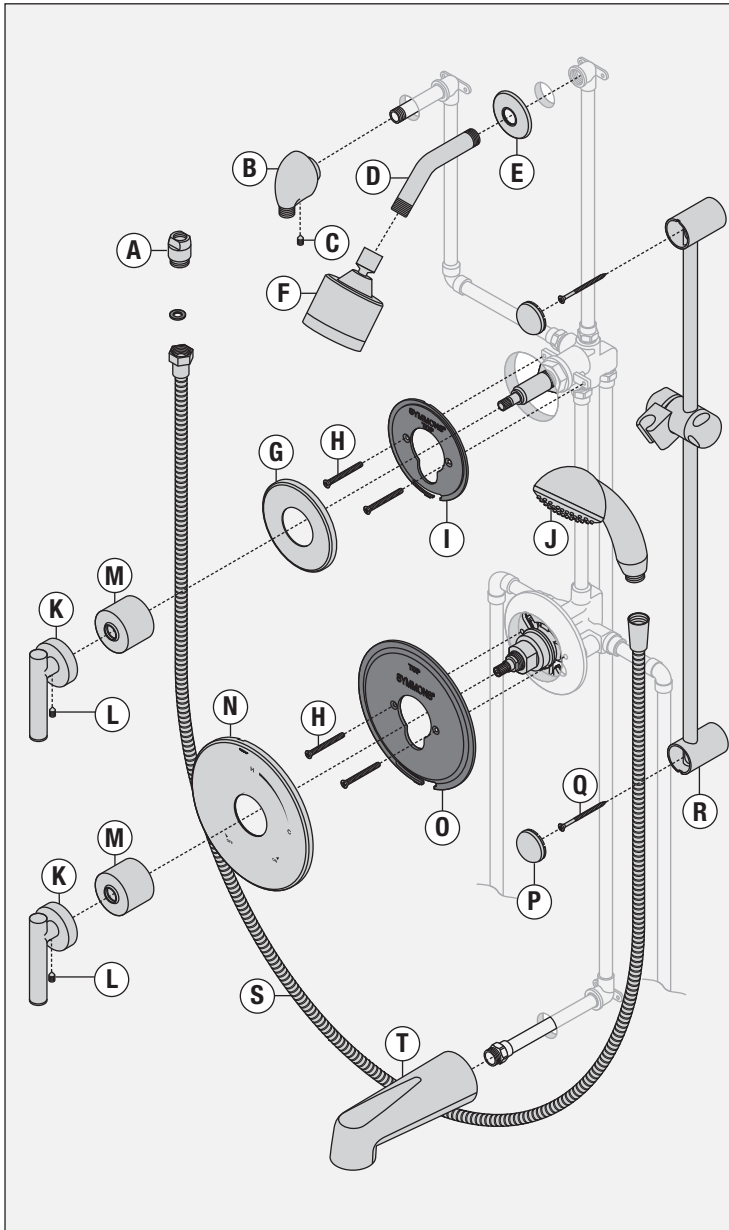
- 1) All dimensions measured from nominal rough-in (see S as reference).
- 2) Dimensions are subject to change without notice.

3503-H321-V-CYL-B-TRM, 3505-H321-V-CYL-B-TRM,
3506-H321-V-CYL-B-TRM

Dia™ Trim Series

Operation & Maintenance Manual

Parts Breakdown



Replacement Parts		
Item	Description	Part Number
D E	Shower Arm Flange	300S
F	1 Mode Showerhead	352SH
G H I M	Diverter Escutcheon Screws Small Mounting Plate Dome Cover	Diverter Escutcheon Kit RTS-041
H M N O	Screws Dome Cover Escutcheon Large Mounting Plate	Escutcheon Kit RTS-009 (Brass) RTS-010 (Plastic)
K	Handle Assembly	T-242A
M	Dome Cover	T-19/20
T	Tub Spout	067

Notes:

- 1) Append -STN to part number for satin nickel finish.
- 2) Append -1.5 or -2.0 to showerhead or hand shower for low flow.

Required for Installation	
Adjustable Wrench	
Phillips Head crewdriver	
Allen Wrench (3/16")	
Teflon Tape	
Power Drill	

3503-H321-V-CYL-B-TRM, 3505-H321-V-CYL-B-TRM,
3506-H321-V-CYL-B-TRM

Dia™ Trim Series

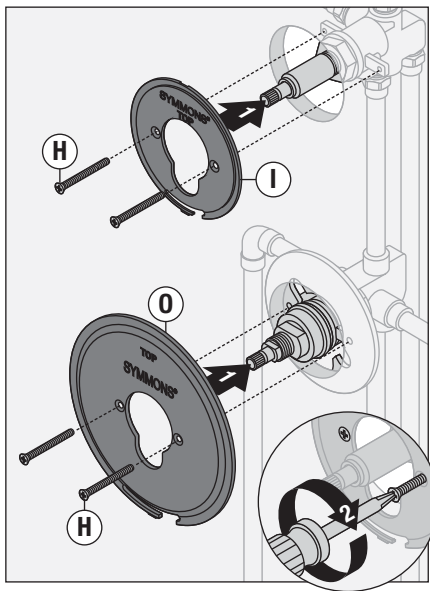
Operation & Maintenance Manual

Installation

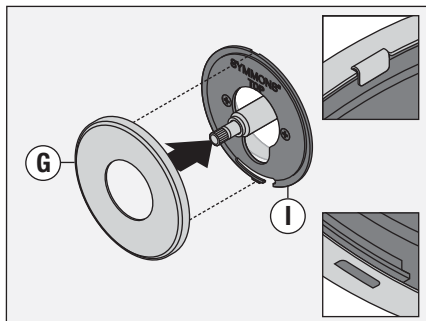
Note:

For rough-in installation, please see valve body installation guides.

- 1) Install small plastic mounting plate (I) to diverter valve (3506 diverter valve = 4-460E-BODY, 3505 diverter valve = 4-458E-BODY) and large plastic mounting plate (O) to shower valve (4000-BODY). Secure each with two screws (H).

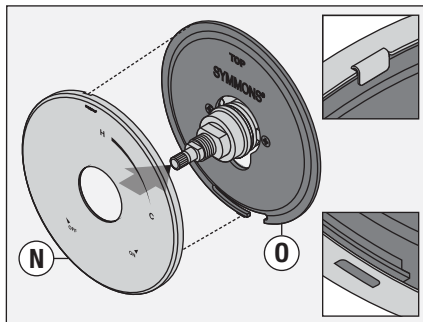


- 2) Attach diverter escutcheon (G) to small plastic mounting plate (I).



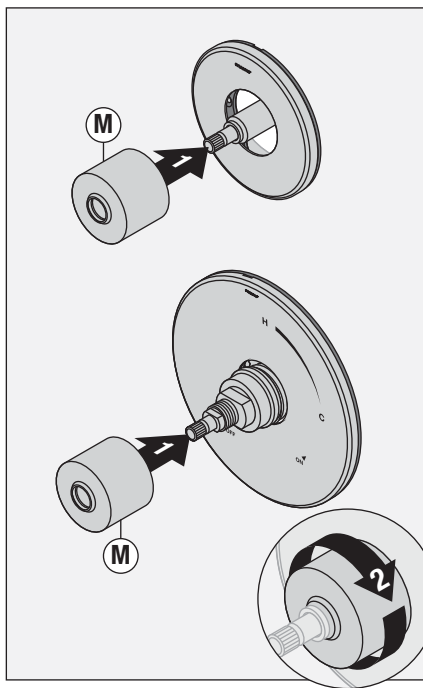
Note: Tabs should snap into place.

- 3) Attach shower escutcheon (N) to large plastic mounting plate (O).

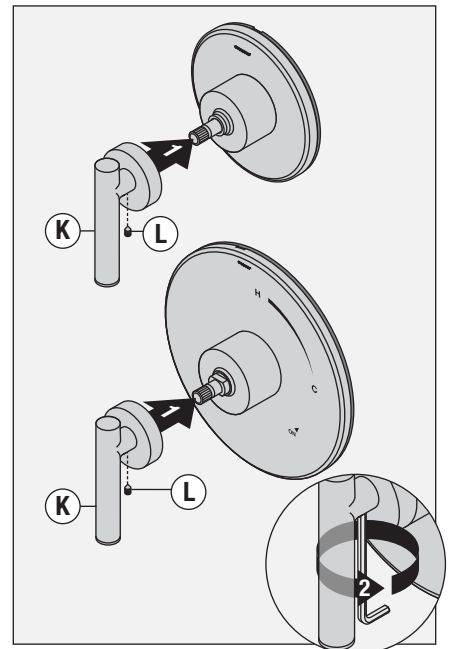


Note: Tabs should snap into place.

- 4) Install dome covers (M) to valves by turning clockwise.

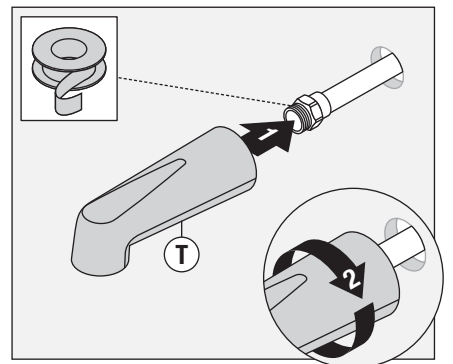


- 5) Install diverter handle (3505 and 3506 only) (K) and shower handle (K) to valves. Secure handles by tightening Allen screws (L).



Note: Handles should be facing the 6 o'clock position.

- 6) Install tub spout (T) to stub out pipe. Turn clockwise to secure.



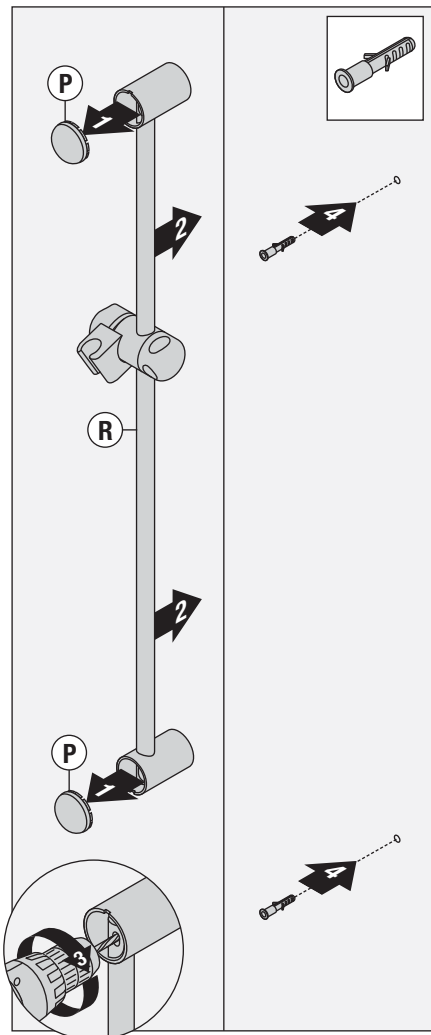
3503-H321-V-CYL-B-TRM, 3505-H321-V-CYL-B-TRM,
3506-H321-V-CYL-B-TRM

Dia™ Trim Series

Operation & Maintenance Manual

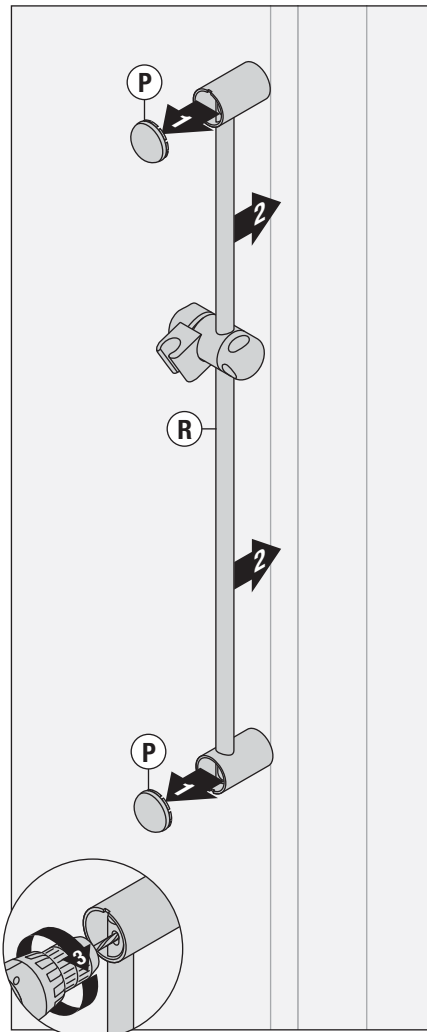
Installation

7a) **Dry Wall Option:** Remove upper and lower caps (P) from 30" slide bar brackets. Place 30" slide bar (R) into desired position. Using brackets as a guide, carefully drill 3/16" holes into wall. Remove 30" slide bar and install anchors.



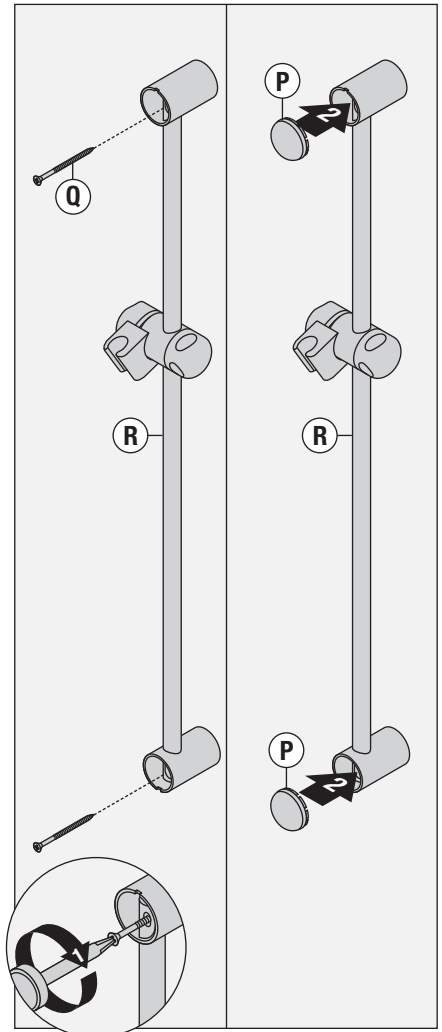
Notes: Make sure that 30" slide bar holes and bracket holes are aligned before drilling. Before drilling bottom hole, make sure 30" slide bar is plumb.

7b) **Stud Option:** Remove upper and lower caps (P) from 30" slide bar brackets. Place 30" slide bar (R) into desired position. Using brackets as a guide, carefully drill 1/8" pilot holes into stud.



Notes: Make sure that 30" slide bar holes and bracket holes are aligned before drilling. Before drilling bottom hole, make sure 30" slide bar is plumb.

8) With 30" slide bar (R) in position, secure to wall using screws (Q). Replace upper and lower caps (P) onto 30" slide bar brackets.



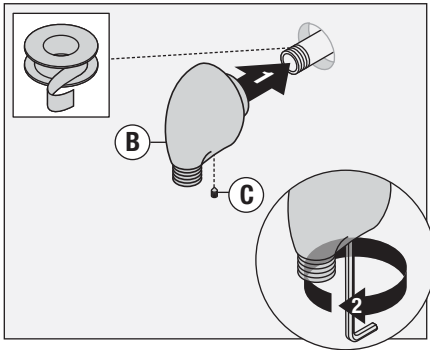
3503-H321-V-CYL-B-TRM, 3505-H321-V-CYL-B-TRM,
3506-H321-V-CYL-B-TRM

Dia™ Trim Series

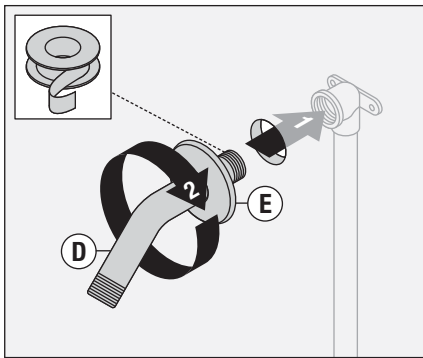
Operation & Maintenance Manual

Installation

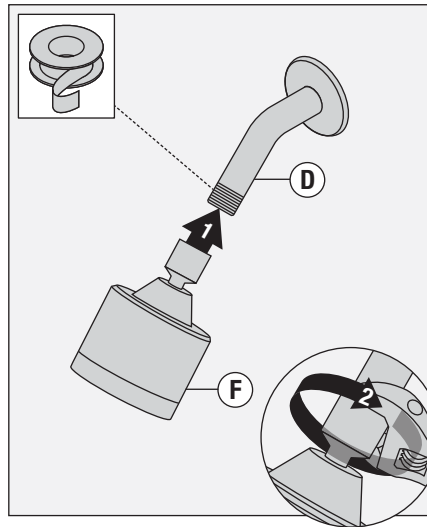
9) Install wall elbow (B) to stub out pipe. Tighten Allen screw (3 mm) (C) to secure.



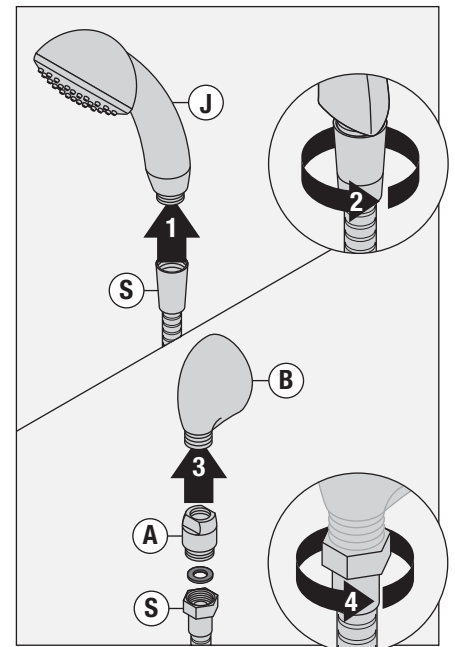
10) Attach shower arm (D) and flange (E) to vertical shower pipe turning clockwise to tighten.



11) Install showerhead (F) to shower arm (D). Turn clockwise to tighten.



12) Attach large end of hand shower hose (S) to hand shower head (J). Attach small end of hand shower hose (S) and gasket to in-line vacuum breaker (A). Connect in-line vacuum breaker to wall elbow (B). Turn clockwise to tighten.



3503-H321-V-CYL-B-TRM, 3505-H321-V-CYL-B-TRM,
3506-H321-V-CYL-B-TRM

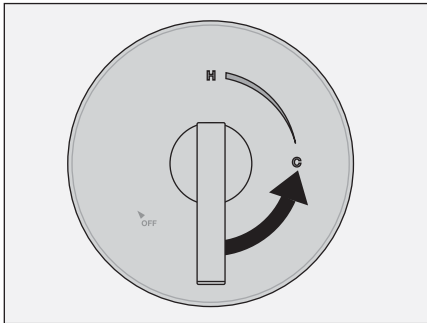
Dia™ Trim Series

Operation & Maintenance Manual

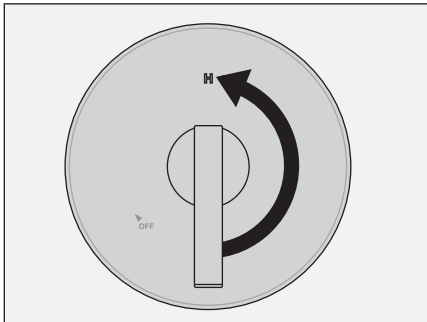
Operation

Temperature Control

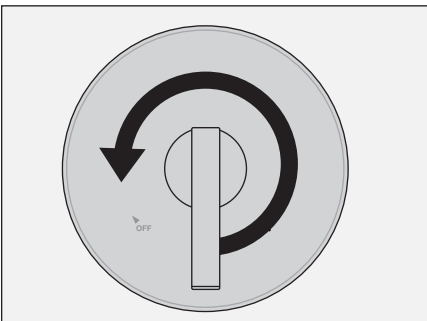
- 1) Turn shower handle counterclockwise approximately 1/4 turn to put valve in cold position.



- 2) Turn shower handle counterclockwise approximately 1/2 turn to put valve in warm position.



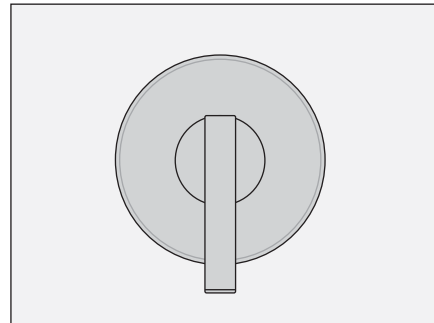
- 3) Turn shower handle counterclockwise approximately 3/4 turn to put valve in hot position.



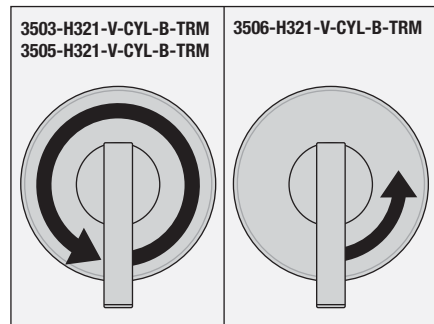
Diverter Control

Note: 3505-H321-V-CYL-B-TRM, 3506-H321-V-CYL-B-TRM only.

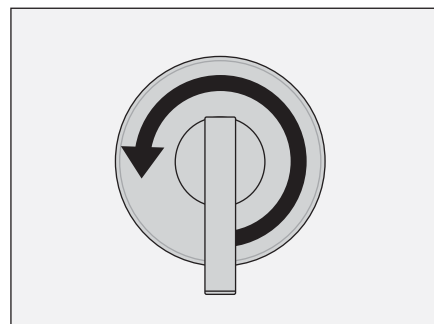
- 1) Diverter handle facing straight down is for diverter function 1.



- 2) **3503-H321-V-CYL-B-TRM & 3505-H321-V-CYL-B-TRM:** Turn diverter handle counterclockwise one full revolution for diverter function 2.
3506-H321-V-CYL-B-TRM: Turn diverter handle counterclockwise 1/4 turn for diverter function 2.



- 3) **3506-H321-V-CYL-B-TRM:** Turn diverter handle counterclockwise 3/4 turn for diverter function 3.





3503-H321-V-CYL-B-TRM, 3505-H321-V-CYL-B-TRM,
3506-H321-V-CYL-B-TRM

Dia™ Trim Series

Operation & Maintenance Manual

Care and Cleaning

1) Clean finished trim area with a soft cloth using mild soap and water or a non-abrasive cleaner and then quickly rinse with water.

Troubleshooting Chart

Problem	Cause	Solution
Finish is spotting.	Elements in water supply may cause water staining on finish.	Clean finished trim area with a soft cloth using mild soap and water or a non-abrasive cleaner and then quickly rinse with water.