

Lavatory Faucet SLS-3512, SLS-3510 Series

Installation Brief

Model SLS-3512

Model Numbers

SLS-3512 Lavatory faucet with lift rod and pop-up drain

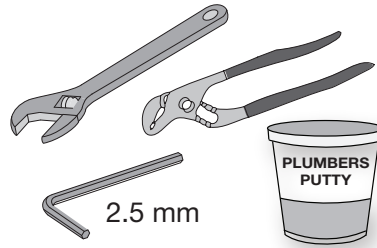
SLS-3510 Lavatory faucet only

Decorative Finishes

Append finish suffix code to replacement part numbers when applicable

- Polished chrome (standard)

Tools & Materials

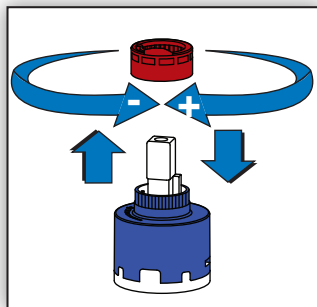
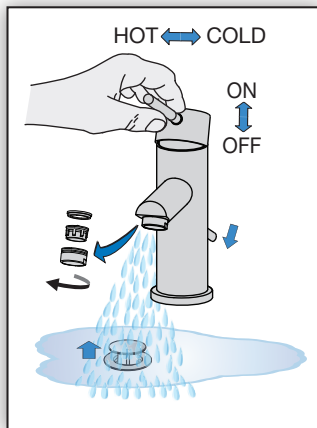


Need Help?

Contact Symmons customer service at P: (800) 796-6667, F: (800) 961-9621
Email: customerservice@symmons.com
Monday - Friday 7:30 am - 6:00 pm EST

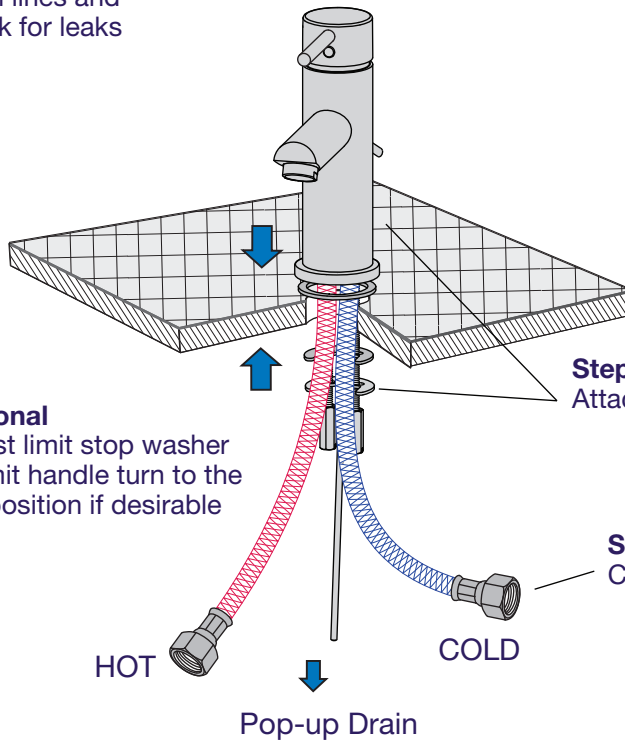
Please check Symmons website for technical help, the latest product information and warranty policy.
www.symmons.com/service

Quick Install Guide Dia Lavatory Faucet, SLS-3512, SLS-3510 Series



Step 3
Flush lines and check for leaks

Optional
Adjust limit stop washer to limit handle turn to the hot position if desirable



Step 1
Attach faucet assembly

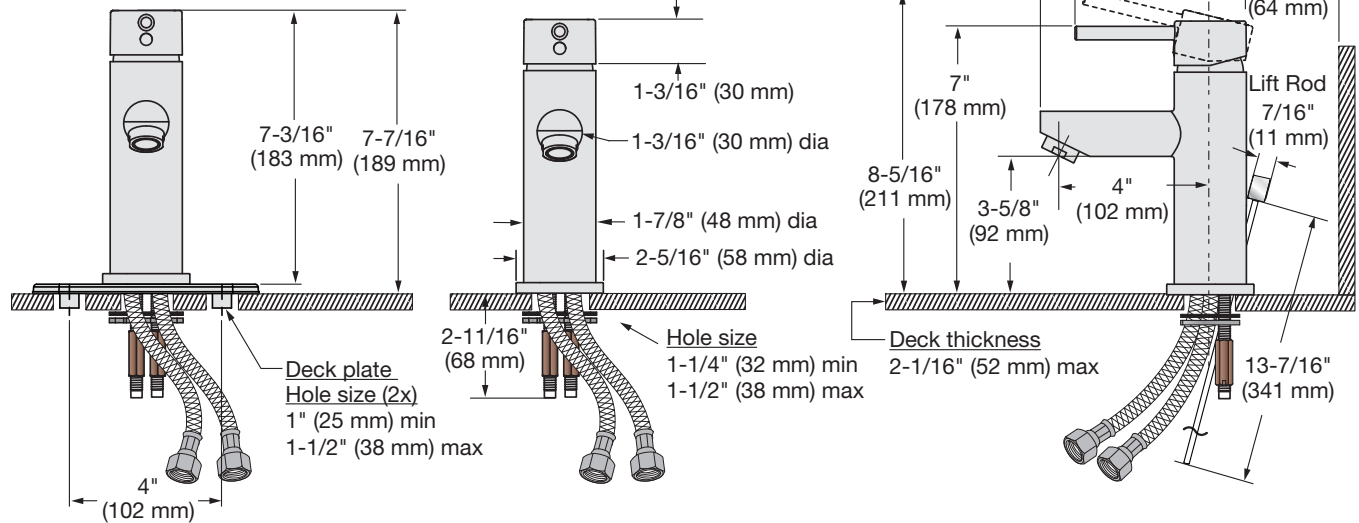
Step 2
Connect supply hoses

WARNING: This product can expose you to chemicals including lead, which is known to the state of California to cause cancer, birth defects, or other reproductive harm. For more information, go to www.P65Warnings.ca.gov.

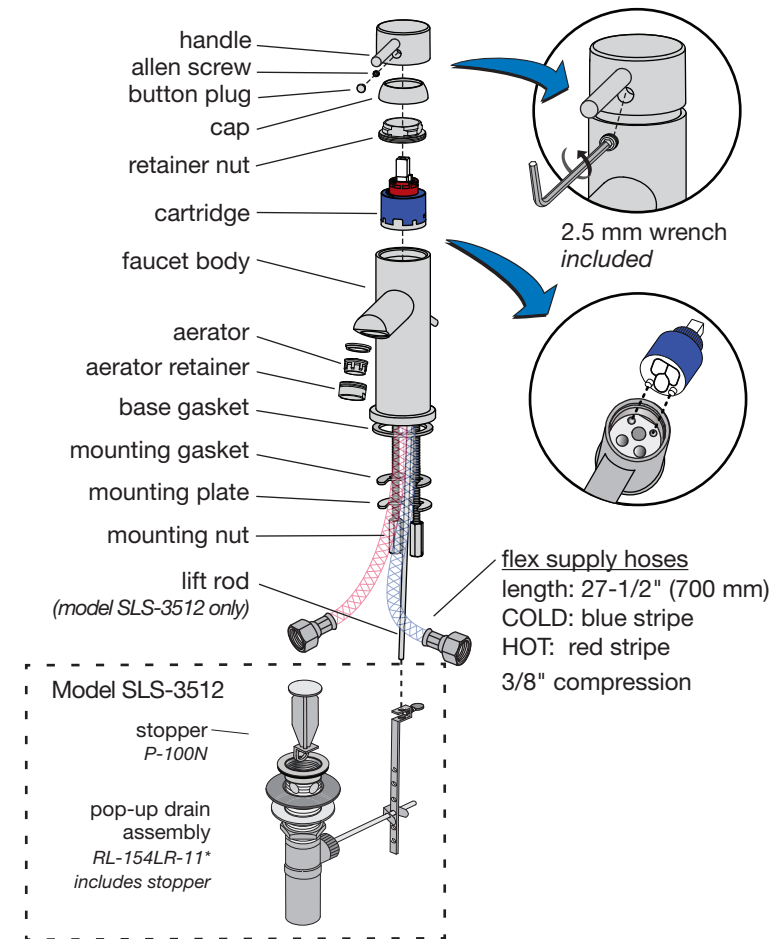
Dimensions Dia Lavatory Faucet, SLS-3512, SLS-3510 Series

Notes:

- (1) Dimensions subject to change without notice
- (2) Lift rod included with model SLS-3512-1.5 only



Parts Assembly Dia Lavatory Faucet, SLS-3512, SLS-3510 Series



Replacement Parts

Part Number	Item	
RL-035	Cartridge with limit stop	
RL-059*	<u>Aerator kits</u>	
RL-063*	2.2 gpm (8.3 L/min)	
RL-064*	1.5 gpm (5.7 L/min)	
RL-065*	1.0 gpm (3.8 L/min)	
	0.5 gpm (1.9 L/min)	
	includes aerator, retainer & washer	
RL-066*	<u>Handle kit</u> includes handle, allen screw & RB button plug requires 2.5 mm Allen wrench	
RL-067	<u>Mounting hardware kit</u> threaded studs (2) hex nut (2) rubber washer (1) metal washer (1)	
LN-341*	Lift Rod	

Ordering replacement parts:

Call Symmons customer service at (800) 796-6667, M-F 7:30 am - 6:00 pm EST or check our website at www.symmons.com for a list of Symmons distributors.

* Note: For decorative finish faucets append the appropriate suffix code letters to part numbers marked with an asterisk (*)