

# SYLVANIA Luminaires

## Area Light



### Product Features

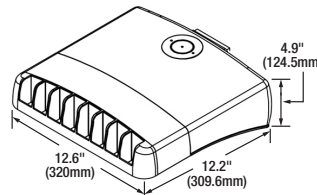
- Integrated photocontrol receptacle compatible with 3 or 5 pin photosensors
- Slim design with multiple mounting and distribution options
- Robust fixture with IP66 and 3G Vibration rating
- Energy savings up to 68%

### Wattage Comparison Chart

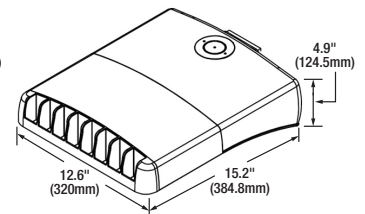
Area Light	Traditional System Wattage	LED System Wattage	Energy Savings
100W HPS	120	70	42%
100W MH	130	70	46%
150W HPS	170	70	59%
150W MH	188	70	63%
175W MH	210	70	67%
175W MH	210	110	48%
250W HPS	295	110	63%
250W MH	290	110	62%
250W HPS	295	145	51%
250W MH	290	145	50%
320W MH	370	145	61%
400W HPS	460	145	68%
400W MH	450	145	68%

Catalog #	Type
Project	
Notes	
Date	
Prepared by	

70W



110W/145W



### Specifications

**Weight:** 70W: 9.7lbs (4.4kg) 110/145W: 11.5lbs (5.2kg)  
Slip fitter/Pole Mount: 2.7lbs (1.2kg)

**Construction:** Cast aluminum alloy housing with powder coat paint finish and UV stabilized polycarbonate lens. The standard color is bronze.

**EPA (Effective Protection Area):** 70W: 0.27ft<sup>2</sup>, with knuckle: 0.45ft<sup>2</sup>  
110/145W: 0.38ft<sup>2</sup>, with knuckle: 0.56ft<sup>2</sup>

**LED System:** LED system with a life rating of ≥140,000 hours at L<sub>70</sub> @25°C. Luminaire efficacy up to 130 LPW.

**Electrical:** Offered in 70, 110, and 145 Watts, the luminaire is designed to operate through the 120-277 V<sub>AC</sub> voltage. The LED driver has a 4kV surge suppression and is a constant current device, meeting UL1310 and UL48 Class 1 with built-in over temperature protection. The power factor is ≥90% and THD is ≤20%.

**Integrated NEMA photocontrol receptacle compatible with 3 or 5 pin photosensors.**

**Dimming:** The driver is 0-10V dimmable.

**Color Characteristics:** CRI>80; CCT of 4000K or 5000K.

**Optics:** Type III, IV, V distribution with UV stabilized polycarbonate lens.

**Installation:** Fixture mounting options include: square pole, round pole, wall mount, trunnion mounting, or knuckle tenon mount for 2-1/8"-2/3/8". Flood light mounting up to 45° angle. Do not mount lens facing upwards. Mounting accessories sold separately.

**Operating Temperature:** -40°F to +104°F (-40°C to +40°C).

**Listings:** cULus listed to UL1598 standards for wet locations and IP66 rated.

**Warranty:** Standard 5-year luminaire warranty (LEDLUM001).

**Note:** Specifications subject to change without notice. IES files available online.



### Ordering Guide

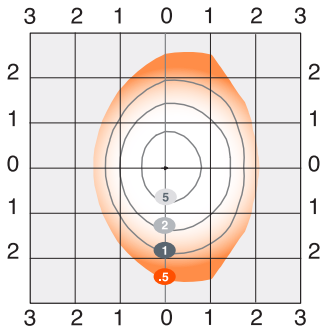
Item Number:

AREAFLD	1A	/	XXX	UNV	D	8	XX	/	XX	/	BZ	/	X
Product Name	Generation		Wattage	Voltage	Dimming	CRI	Color Temp (CCT)		Distribution		Color/Finish		Options
AREAFLD	1A		070 = 70W 110 = 110W 145 = 145W	UNV = 120-277V	D = 0-10V	8 = >80	40 = 4000K 50 = 5000K		T3 = Type III T4 = Type IV T5 = Type V		BZ = Bronze		Blank = No Options D = Motion/ Daylight Sensor

## Photometric Data

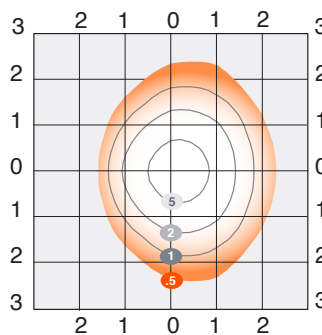
### 70W Type III Distribution

#### Isofootcandle Lines at 15' Mounting Height



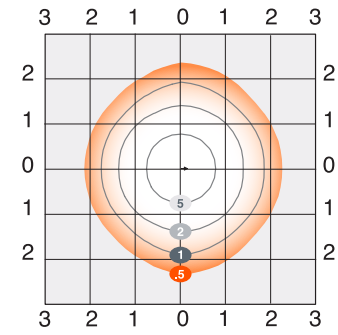
### 70W Type IV Distribution

#### Isofootcandle Lines at 15' Mounting Height



### 70W Type V Distribution

#### Isofootcandle Lines at 15' Mounting Height

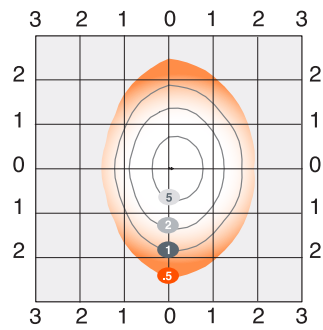


For other mounting heights apply the following multipliers:

Mounting Height	10'	12'	15'	18'	20'	25'
Multiplier	2.25	1.56	1.00	0.69	0.56	0.36

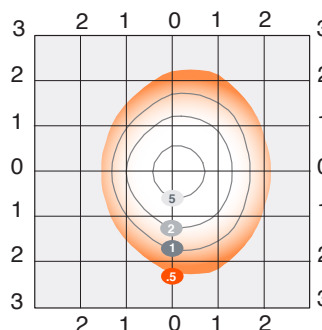
### 110W and 145W Type III Distribution

#### Isofootcandle Lines at 20' Mounting Height



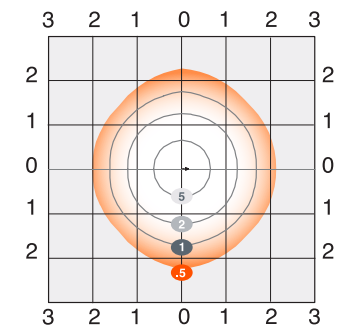
### 110W and 145W Type IV Distribution

#### Isofootcandle Lines at 20' Mounting Height



### 110W and 145W Type V Distribution

#### Isofootcandle Lines at 20' Mounting Height



For other mounting heights apply the following multipliers:

Mounting Height	15'	18'	20'	22'	25'	30'
Multiplier	1.78	1.23	1.00	0.83	0.64	0.44

For 145W use 1.4 multiplier.

## Ordering Information

Item Number	Ordering Abbreviation	Power (W)	Input Voltage	Dimming	CRI	Color Temp (CCT)	Distribution	Total Fixture Lumens	DLC	LPW**	Options
70956	AREAFLD1A/070UNVD840/T3/BZ	70	120-277	0-10V	>80	4000K	Type III	8,100	Prm	116	–
71078	AREAFLD1A/070UNVD840/T4/BZ	70	120-277	0-10V	>80	4000K	Type IV*	8,200	Prm	117	–
71079	AREAFLD1A/070UNVD840/T5/BZ	70	120-277	0-10V	>80	4000K	Type V*	8,500	Prm	121	–
71153	AREAFLD1A/070UNVD850/T3/BZ	70	120-277	0-10V	>80	5000K	Type III	8,600	Prm	123	–
71170	AREAFLD1A/070UNVD850/T4/BZ	70	120-277	0-10V	>80	5000K	Type IV*	8,700	Prm	125	–
71171	AREAFLD1A/070UNVD850/T5/BZ	70	120-277	0-10V	>80	5000K	Type V*	9,000	Prm	130	–
60037	AREAFLD1A/110UNVD840/T3/BZ	110	120-277	0-10V	>80	4000K	Type III	12,600	Prm	117	–
60038	AREAFLD1A/110UNVD840/T4/BZ	110	120-277	0-10V	>80	4000K	Type IV*	12,700	Prm	117	–
60039	AREAFLD1A/110UNVD840/T5/BZ	110	120-277	0-10V	>80	4000K	Type V*	13,300	Prm	123	–
60040	AREAFLD1A/110UNVD850/T3/BZ	110	120-277	0-10V	>80	5000K	Type III	13,300	Prm	124	–
60041	AREAFLD1A/110UNVD850/T4/BZ	110	120-277	0-10V	>80	5000K	Type IV*	13,300	Prm	125	–
60042	AREAFLD1A/110UNVD850/T5/BZ	110	120-277	0-10V	>80	5000K	Type V*	13,300	Prm	124	–
60031	AREAFLD1A/145UNVD840/T3/BZ	145	120-277	0-10V	>80	4000K	Type III	17,000	Prm	116	–
60032	AREAFLD1A/145UNVD840/T4/BZ	145	120-277	0-10V	>80	4000K	Type IV*	17,100	Prm	117	–
60033	AREAFLD1A/145UNVD840/T5/BZ	145	120-277	0-10V	>80	4000K	Type V*	17,900	Prm	122	–
60034	AREAFLD1A/145UNVD850/T3/BZ	145	120-277	0-10V	>80	5000K	Type III	17,000	Prm	117	–
60035	AREAFLD1A/145UNVD850/T4/BZ	145	120-277	0-10V	>80	5000K	Type IV*	17,000	Prm	117	–
60036	AREAFLD1A/145UNVD850/T5/BZ	145	120-277	0-10V	>80	5000K	Type V*	17,900	Prm	123	–

\*Made to order with lead time

\*\*LPW per LM79 report

For further information and to learn more about utility rebates, contact your local SYLVANIA sales representative.

## Ordering Information

Item Number	Ordering Abbreviation	Power (W)	Input Voltage	Dimming	CRI	Color Temp (CCT)	Distribution	Total Fixture Lumens	DLC	LPW**	Options
60083	AREAFLD1A/070UNVD840/T3/BZ/D*	70	120-277	0-10V	>80	4000K	Type III	8,100	Prm	116	Sensor
60084	AREAFLD1A/070UNVD840/T4/BZ/D*	70	120-277	0-10V	>80	4000K	Type IV*	8,200	Prm	117	Sensor
60085	AREAFLD1A/070UNVD840/T5/BZ/D*	70	120-277	0-10V	>80	4000K	Type V*	8,500	Prm	121	Sensor
60086	AREAFLD1A/070UNVD850/T3/BZ/D*	70	120-277	0-10V	>80	5000K	Type III	8,600	Prm	123	Sensor
60087	AREAFLD1A/070UNVD850/T4/BZ/D*	70	120-277	0-10V	>80	5000K	Type IV*	8,700	Prm	125	Sensor
60088	AREAFLD1A/070UNVD850/T5/BZ/D*	70	120-277	0-10V	>80	5000K	Type V*	9,000	Prm	130	Sensor
60089	AREAFLD1A/110UNVD840/T3/BZ/D*	110	120-277	0-10V	>80	4000K	Type III	12,600	Prm	117	Sensor
60090	AREAFLD1A/110UNVD840/T4/BZ/D*	110	120-277	0-10V	>80	4000K	Type IV*	12,700	Prm	117	Sensor
60091	AREAFLD1A/110UNVD840/T5/BZ/D*	110	120-277	0-10V	>80	4000K	Type V*	13,300	Prm	123	Sensor
60092	AREAFLD1A/110UNVD850/T3/BZ/D*	110	120-277	0-10V	>80	5000K	Type III	13,300	Prm	124	Sensor
60093	AREAFLD1A/110UNVD850/T4/BZ/D*	110	120-277	0-10V	>80	5000K	Type IV*	13,300	Prm	125	Sensor
60094	AREAFLD1A/110UNVD850/T5/BZ/D*	110	120-277	0-10V	>80	5000K	Type V*	13,300	Prm	124	Sensor
60095	AREAFLD1A/145UNVD840/T3/BZ/D*	145	120-277	0-10V	>80	4000K	Type III	17,000	Prm	116	Sensor
60096	AREAFLD1A/145UNVD840/T4/BZ/D*	145	120-277	0-10V	>80	4000K	Type IV*	17,100	Prm	117	Sensor
60097	AREAFLD1A/145UNVD840/T5/BZ/D*	145	120-277	0-10V	>80	4000K	Type V*	17,900	Prm	122	Sensor
60098	AREAFLD1A/145UNVD850/T3/BZ/D*	145	120-277	0-10V	>80	5000K	Type III	17,000	Prm	117	Sensor
60099	AREAFLD1A/145UNVD850/T4/BZ/D*	145	120-277	0-10V	>80	5000K	Type IV*	17,000	Prm	117	Sensor
60100	AREAFLD1A/145UNVD850/T5/BZ/D*	145	120-277	0-10V	>80	5000K	Type V*	17,900	Prm	123	Sensor

\*Made to order with lead time

\*\*LPW per LM79 report

For further information and to learn more about utility rebates, contact your local SYLVANIA sales representative.

## Options Information

**Sensor:** Dual Motion/Daylight sensor available.

**Max Mounting Height:** 50ft

### Default Sensor Settings

**Brightness:** 100%

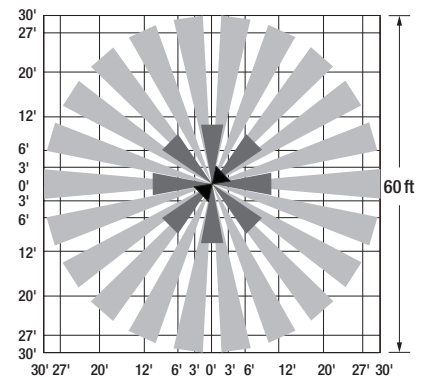
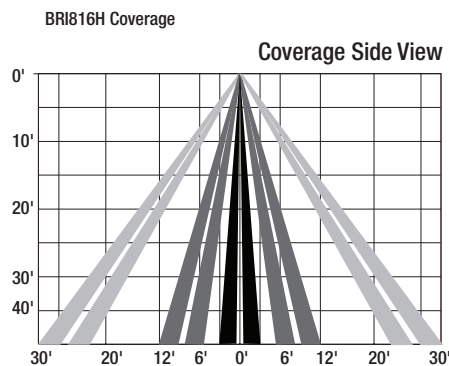
**Sensitivity:** 100%

**Hold time:** 5 minutes

**Standby Dim:** 30%

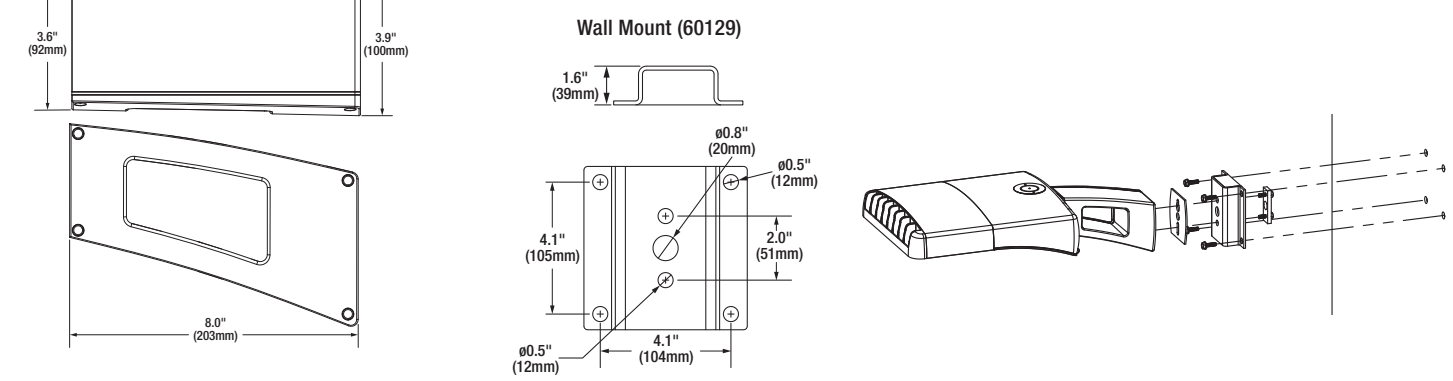
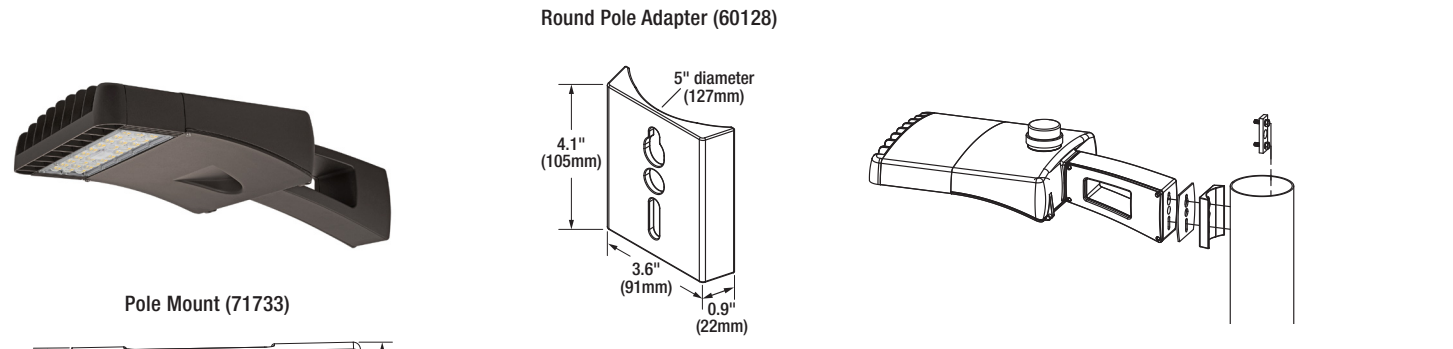
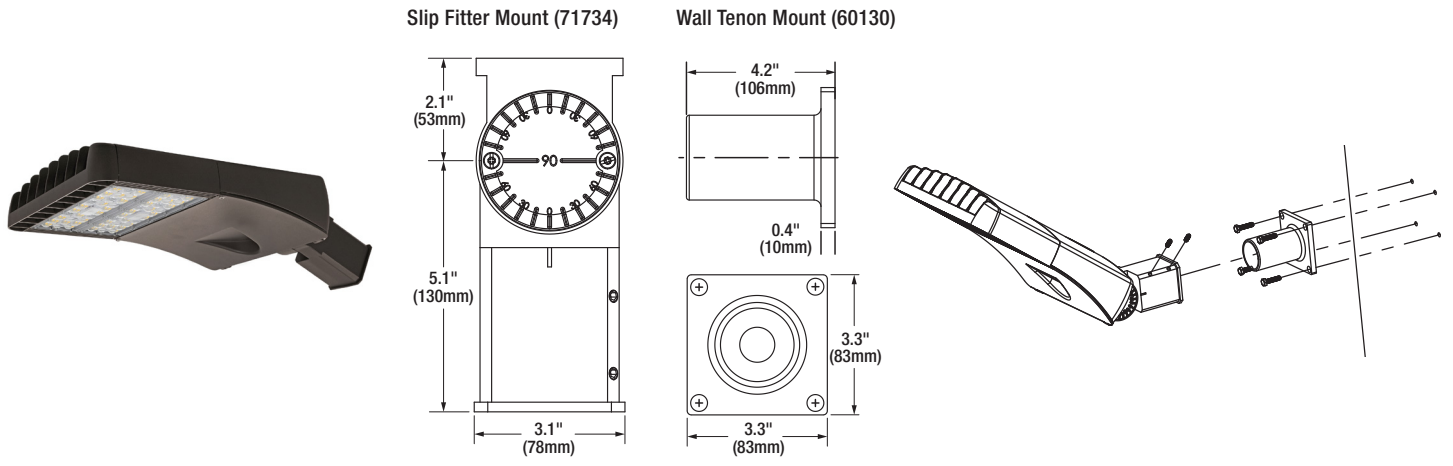
**Standby Time:** 60 minutes

**Daylight Sensor:** Sunlight



## Mounting Accessories

Item Number	Ordering Abbreviation	Item Description
71734	AREAFLD1A/SLIPFITTER/BZ	Slip Fitter Mount, Bronze
60130	AREAFLD1A/WALLTENON/BZ	Wall Tenon Mount, Bronze (Requires Slip Fitter)
71733	AREAFLD1A/POLEMOUNT/BZ	Pole Mount, Bronze
60128	AREAFLD1A/RNDADAPT/BZ	Round Adapter, Bronze (Requires Pole Mount)
60129	AREAFLD1A/WALLMNT/BZ	Wall Mount, Bronze (Requires Pole Mount)



LEDVANCE LLC  
 200 Ballardvale Street  
 Wilmington, MA 01887 USA  
 Phone 1-800-LIGHTBULB (1-800-544-4828)  
 www.sylvania.com

SYLVANIA and LEDVANCE are registered trademarks.  
 All other trademarks are those of their respective owners.  
 Licensee of product trademark SYLVANIA in general lighting.  
 Specifications subject to change without notice.

