

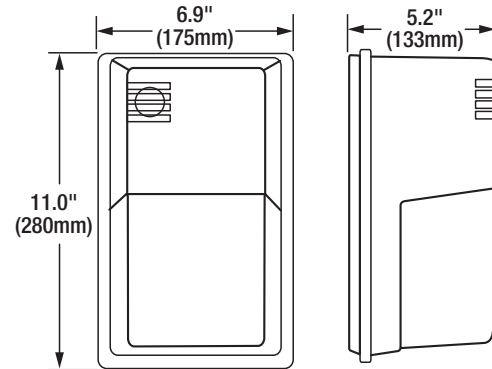
# SYLVANIA Luminaires

## Small Wall Pack



Catalog #	Type
Project	
Notes	
Date	
Prepared by	

### Dimensions



### Product Features

- Up to 90% energy savings while maintaining traditional design
- Available with optional photocontrol for additional energy savings
- Low maintenance and long life (L<sub>70</sub> ≥ 150,000 hours)

### Wattage Comparison Chart

#### Small Wall Pack

Traditional Source	Traditional System Wattage	LED System Wattage	Energy Savings
23W CFL	23	15	35%
35W HPS	45	15	67%
42W CFL	46	15	67%
50W HPS	62	15	76%
50W MH	62	15	76%
100W Inc	100	15	85%
150W Inc	150	15	90%

### Specifications

**Weight:** 4.8lbs (2.2kg)

**Construction:** Aluminum alloy back plate with polycarbonate front cover. Epoxy paint finish. The standard color is bronze.

**LED System:** LED system with a life rating of ≥150,000 hours at L<sub>70</sub>@25°C. Luminaire efficacy up to 117 LPW.

**Electrical:** Offered in 15 Watts, the luminaire is designed to operate through the 120-277 V<sub>AC</sub> universal voltage range. The LED driver has a 4kV inherent surge suppression and is a constant current device, meeting UL1310 and UL48 Class 2 with built-in over temperature protection. The fixture power factor is ≥90% and THD is ≤20%.

**Color Characteristics:** CRI>70; CCT of 4000K or 5000K.

**Optics:** Non-Cutoff distribution with polycarbonate lens.

**Options Available:** Photocontrol.

**Installation:** Luminaire mounts to exterior wall. Level included in back plate.

**Operating Temperature:** -40°F to +104°F (-40°C to +40°C).

**Listings:** cULus listed to UL1598 standards for wet locations.

**Warranty:** Standard 5-year luminaire warranty (LEDLUM001).

**Note:** Specifications subject to change without notice. IES files available online.



### Ordering Guide

Item Number:

SMWLPAK	1N	/	XXX	UNV	7	XX	/	NC	/	BZ	/	X
Product Name	Generation		Wattage (UNV)	Voltage	CRI	Color Temp (CCT)		Optics		Color/Finish		Options
SMWLPAK	1N		015 = 15W	UNV = 120-277V	7 ≥70	40 = 4000K 50 = 5000K		NC = Non-Cutoff Distribution		BZ = Bronze		Blank = No Option P = Photocontrol

## Ordering Information

Item Number	Ordering Abbreviation	Power (W)	Input Voltage	CRI	Color Temp (CCT)	Distribution	Total Fixture Lumens	LPW*	DLC**	BUG Rating	Options
60064	SMWLPAK1N/015UNV740/NC/BZ	15	120-277	>70	4000K	Type I	1765	117	Std	B1-U3-G2	–
60065	SMWLPAK1N/015UNV750/NC/BZ	15	120-277	>70	5000K	Type I	1765	117	Std	B1-U3-G2	–
60066+	SMWLPAK1N/015UNV740/NC/BZ/P	15	120-277	>70	4000K	Type I	1765	117	Std	B1-U3-G2	Photocell
60067+	SMWLPAK1N/015UNV750/NC/BZ/P	15	120-277	>70	5000K	Type I	1765	117	Std	B1-U3-G2	Photocell

\*LPW per LM79 report

\*\*Std for DLC Standard.

+Available Q2 please contact sales rep for details

For further information and to learn more about utility rebates, contact your local SYLVANIA sales representative.

LEDVANCE LLC  
 200 Ballardvale Street  
 Wilmington, MA 01887 USA  
 Phone 1-800-LIGHTBULB (1-800-544-4828)  
[www.sylvania.com](http://www.sylvania.com)

SYLVANIA and LEDVANCE are registered trademarks.  
 All other trademarks are those of their respective owners.  
 Licensee of product trademark SYLVANIA in general lighting.  
 Specifications subject to change without notice.

