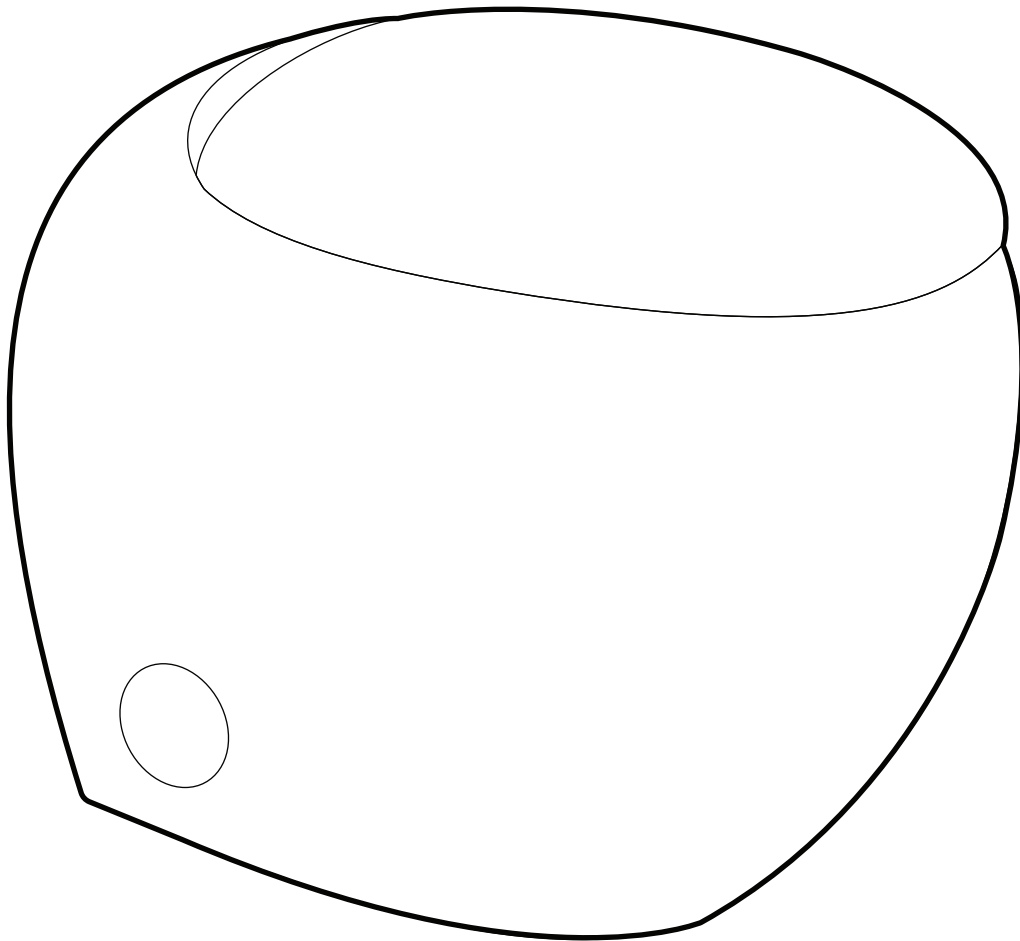


Back-to-Wall Toilet

INSTALLATION INSTRUCTIONS





PRIOR TO INSTALLATION:

- Inspect product to ensure no damages have occurred while in shipping.
- Observe all plumbing and building codes in accordance with your state and local requirements.
- All dimensions are nominal! Be sure to measure your bathtub prior to installation.
- The step-by-step guidelines in the installation instructions are a general reference. Should there be any discrepancies, Swiss Madison® cannot be held liable. It is recommended to install all Swiss Madison® products by hiring a licensed professional.
- Read installation and maintenance instructions thoroughly before installing. Be sure to use proper tools and always wear proper personal safety accessories for your protection.

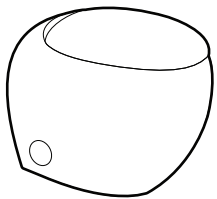
QUESTIONS OR CONCERNS?

Please contact us:

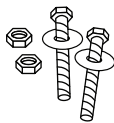
1-434-623-4766

info@swissmadison.com

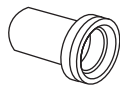
INCLUDED PARTS:



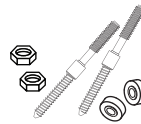
Back-to-wall
Toilet



Bolts



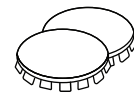
Outlet Pipe



Bolts



Bolt Cover
Caps



Pan Cover
Caps

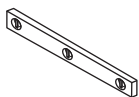


Anchors

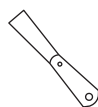
SUGGESTED TOOLS:



Safety Glasses



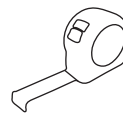
Level



Putty Knife



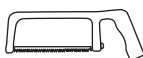
Wrench



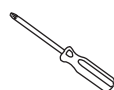
Tape
Measure



Flexible
Supply Tube



Hacksaw



Screwdriver

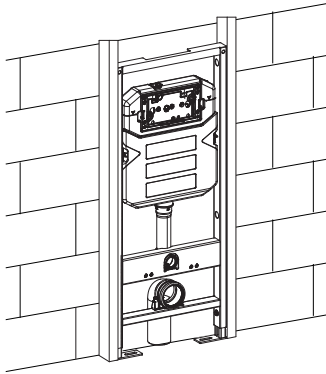


Sealant

INSTALLATION:

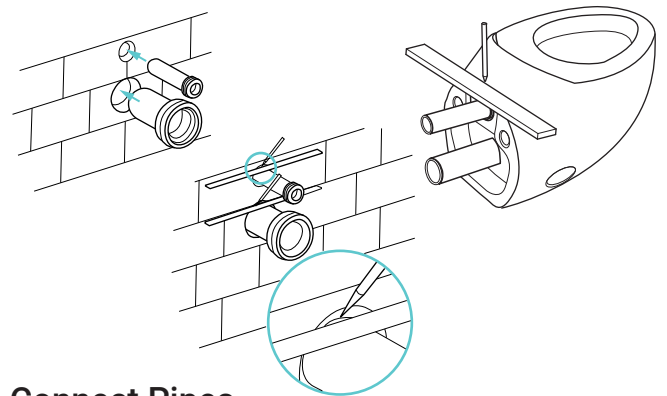
1 Install Tank Carrier System

- Before toilet bowl installation, a wood frame and commercial or residential tank system is required.
- Install according to manufacturer's instructions.



2 Dry Fit Outlet Pipe & Inlet Pipe

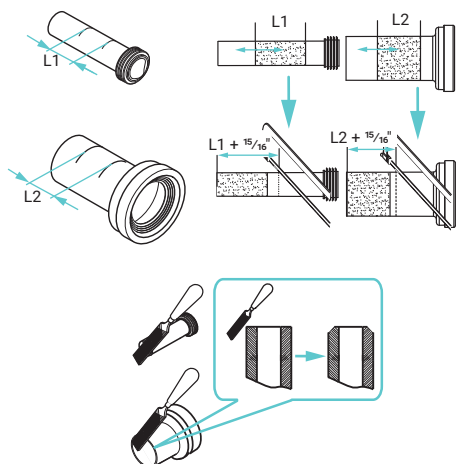
- Fully insert straight tube into cistern flushing outlet then connect pipe into discharge outlet.
- Remove pipes from the sanitary unit and insert them completely into the back of the bowl. Then mark pipes where they extend past the edges of the bowl.



3 Cut Pipes

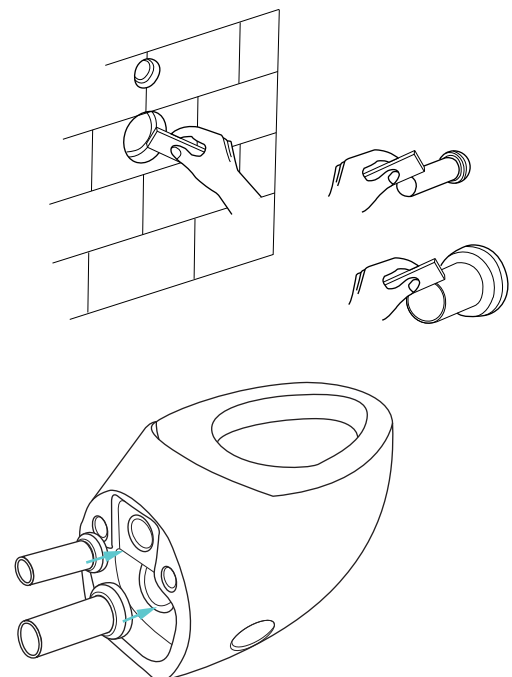
- Measure the distance between both marked lines on pipe. Take measured distance, deduct from bald end of pipe and cut pipes as shown below.
- After cutting, take a file and remove all burrs. Try and bevel pipe edge.

L1: The distance between the two lines on the straight tube.
L2: The distance between the two lines on the connecting pipe.



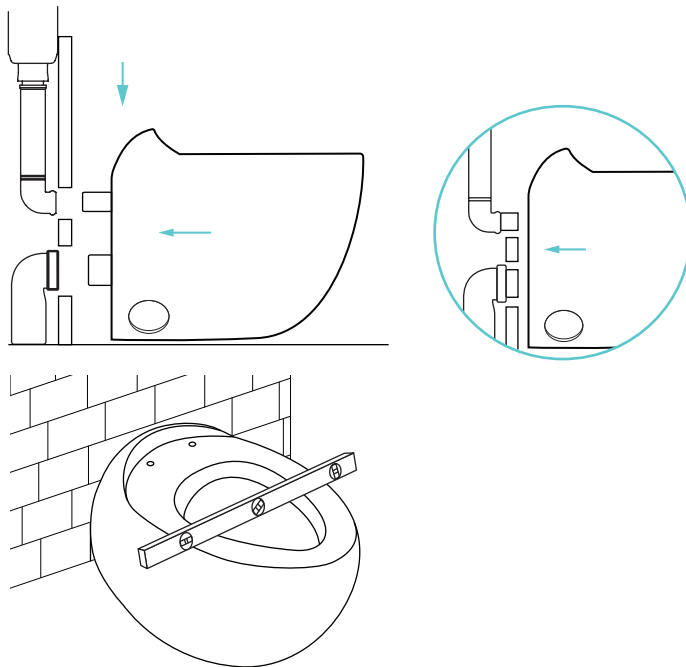
4 Connect Pipes

- Apply lubricant onto rubber washers of straight tube and connecting pipe.
- Place the toilet, making sure the pipes fit properly, and the toilet is making contact with the floor and wall surface.



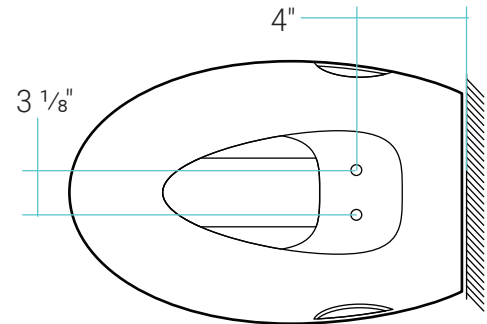
5 Fit & Level Bowl

- Place the bowl facing the flush pipe and waste pipe, then push firmly until it touches the wall to ensure both pipes are in the correct position and length
- Make sure bowl is level then mark on both sides of the bowl where the anchors will be installed.



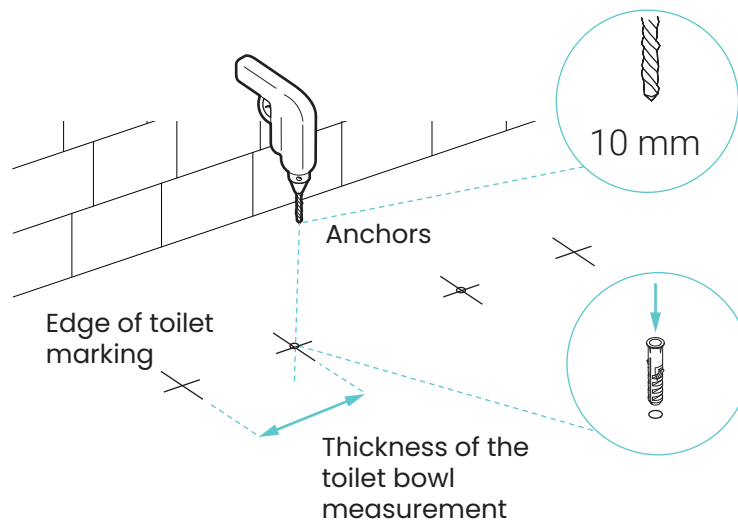
6 Rough-In Toilet

- Measure the wall from behind the toilet to the middle of the mounting holes.



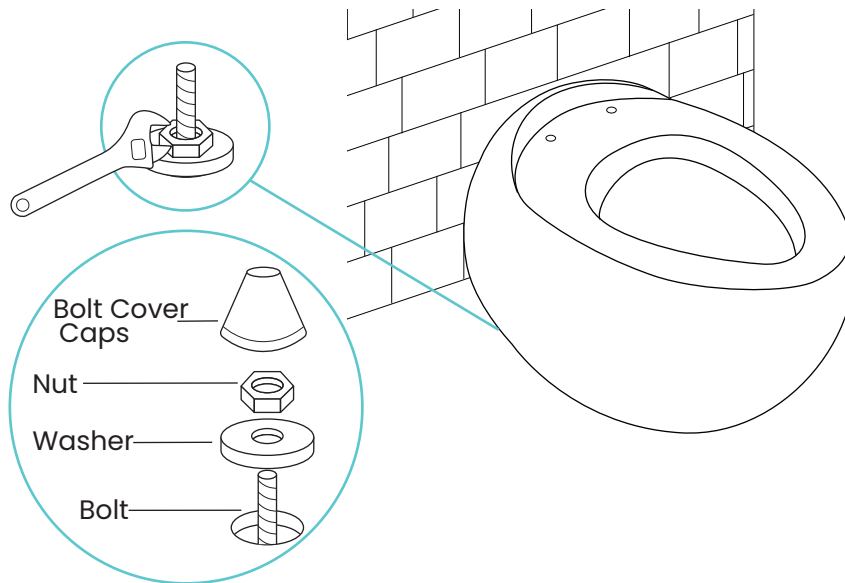
7 Install Anchors & Bolts

- Remove the toilet bowl and measure the thickness of the bowl. Then apply that measurement in towards the center from the marks on the floor.
- Insert anchors and install bolts.



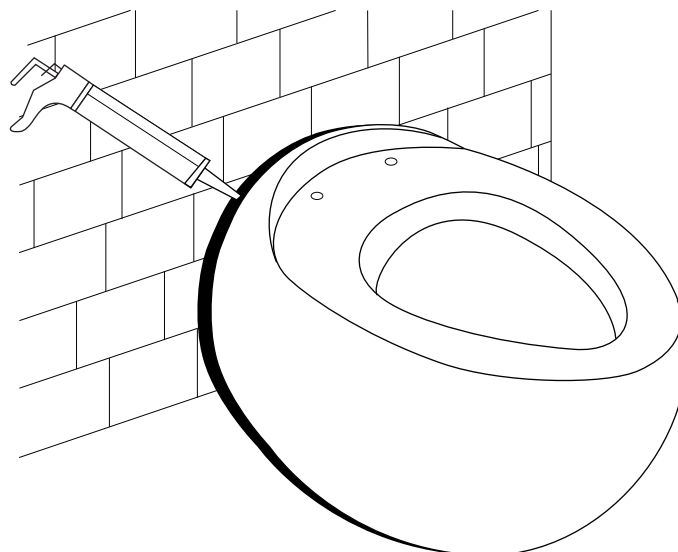
8 Install & Secure Toilet

- Make sure the pipes fit in properly and the toilet is making contact with the floor and the wall surface.
- Once the toilet is placed properly, tighten the bolts to secure the toilet.



9 Seal Edges

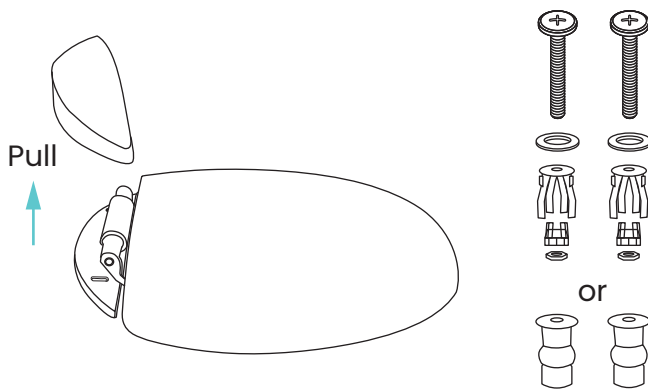
- Apply a thin layer of silicone sealant around the perimeter of the toilet bowl. The use of an anti-mold silicone is recommended.
- Remove any excess silicone with a paper towel.



TOILET SEAT INSTALLATION:

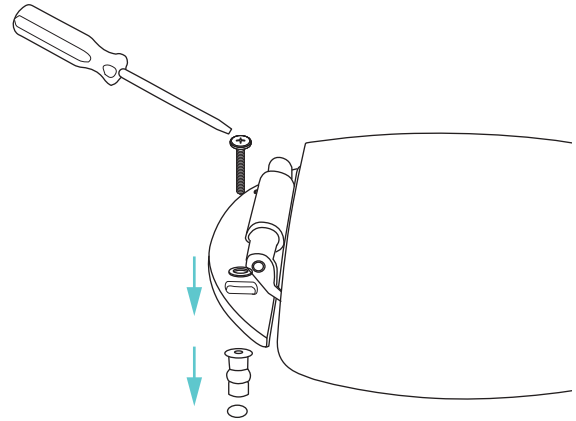
1 Disassemble

- Disassemble the back cover cap and the screws and nuts.



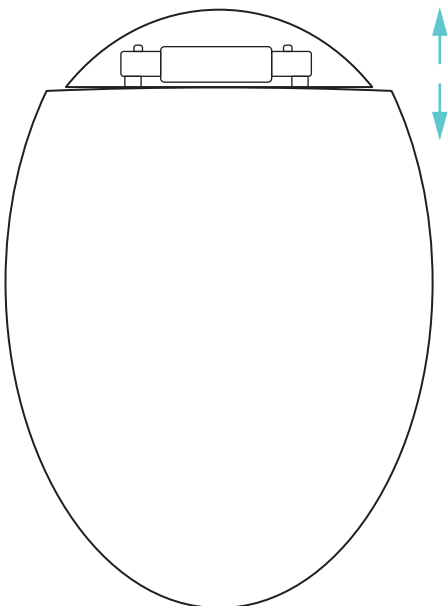
2 Attach Hinges

- Insert hinges with blind hole screw fixings attached into holes on the toilet bowl.
- Lightly tighten hinges with a screwdriver to allow for later adjustment.



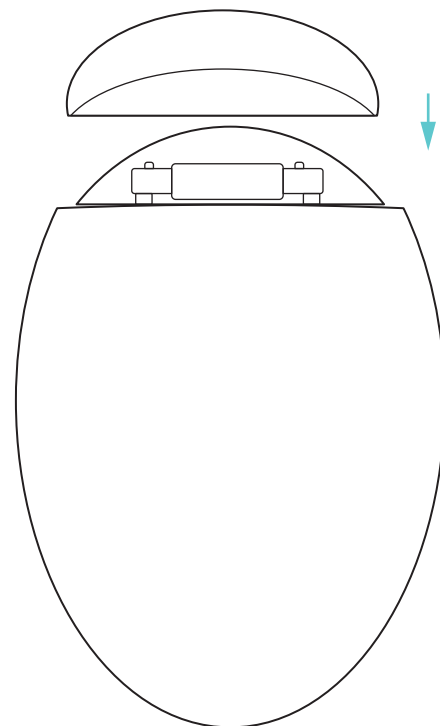
3 Adjust & Cover Hinges

- Be sure the hinge is all the way forward for proper seat fitting.
- Place the covers onto the hinges.



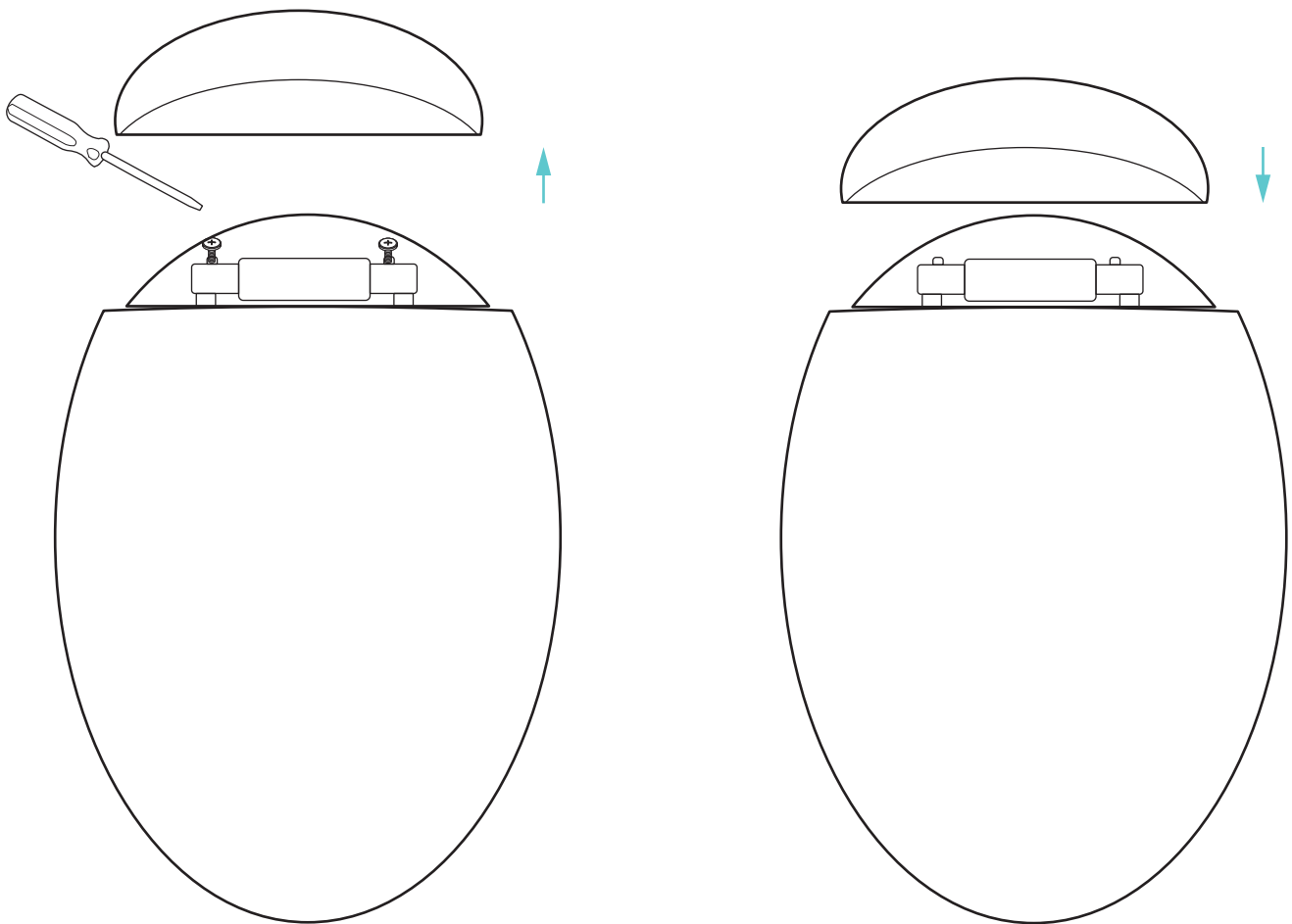
4 Adjust & Attach Back Cap

- Be sure the hinge is all the way forward for proper seat fitting.
- Place the back cap onto the hinges.



5 Toilet Seat Usage

- To remove the back cap, and disassemble the screws and nuts, then pull straight up.
- To re-install, align hinge posts with reference marks on seat, then tighten hinges with a screwdriver, attach the back cap.



ONE YEAR LIMITED WARRANTY

Swiss Madison® products are made with quality materials and excellent craftsmanship to provide our customers with beautiful, durable, long-lasting products. Should there be any defects in materials or craftsmanship under regular use that are discovered within the first year of installation, Swiss Madison® will provide replacement parts at no charge, or at its discretion, replace any product or part of the product that is deemed defective, under normal installation, use, service or maintenance. This warranty applies only to the original purchaser. Proof of purchase will be required in the instance of a claim.

Swiss Madison® recommends all installations of Swiss Madison® products to be conducted by a licensed, professional plumber or contractor. Swiss Madison® will not be held responsible for any damage or product failure due to improper installation, misuse, or failure to utilize a licensed professional for installation. Swiss Madison® is not responsible for any installation or removal costs.

THIS ONE YEAR LIMITED WARRANTY WILL BE VOIDED IF:

- The installation recommendations were not followed by the installer
- The product has been moved from its initial place of installation
- The product has in any way been modified from its packaged state
- The product has been subjected to improper maintenance, abuse, misuse, excessive use of chemicals, accidents, or other damages, etc.

Swiss Madison® makes no implication that its products comply with any local building or plumbing codes. It is the consumer's responsibility and obligation to determine local code compliance prior to and during installation. This warranty extends only to the original purchaser and first consumer.

Swiss Madison® is not responsible for any special, incidental or consequential damages associated with the installation, replacement, return or use of the original purchaser's product. This includes, but is not limited to: freight costs, labor, travel time, lost profit, home damages and other contingent liabilities and costs (including, without limitation, costs associated with 'professionals' or 'experts', investigations, audits, analyses, attorneys and any other professional/hired services).

The Swiss Madison® warranty is a comprehensive and explicit limit of liability. All items not disclosed within the warranty are not addressable within the responsibility of Swiss Madison®. Certain states have variances regarding implied warranties; in those situations, we remain fully compliant.

QUESTIONS OR CONCERNS?

Please contact us directly at 1-434-MADISON (623-4766)



WARNING:

Contents of your order may contain sharp and possibly other harmful pieces and may cause hazard to children and adults. Swiss Madison® is not responsible in any way for personal damages.