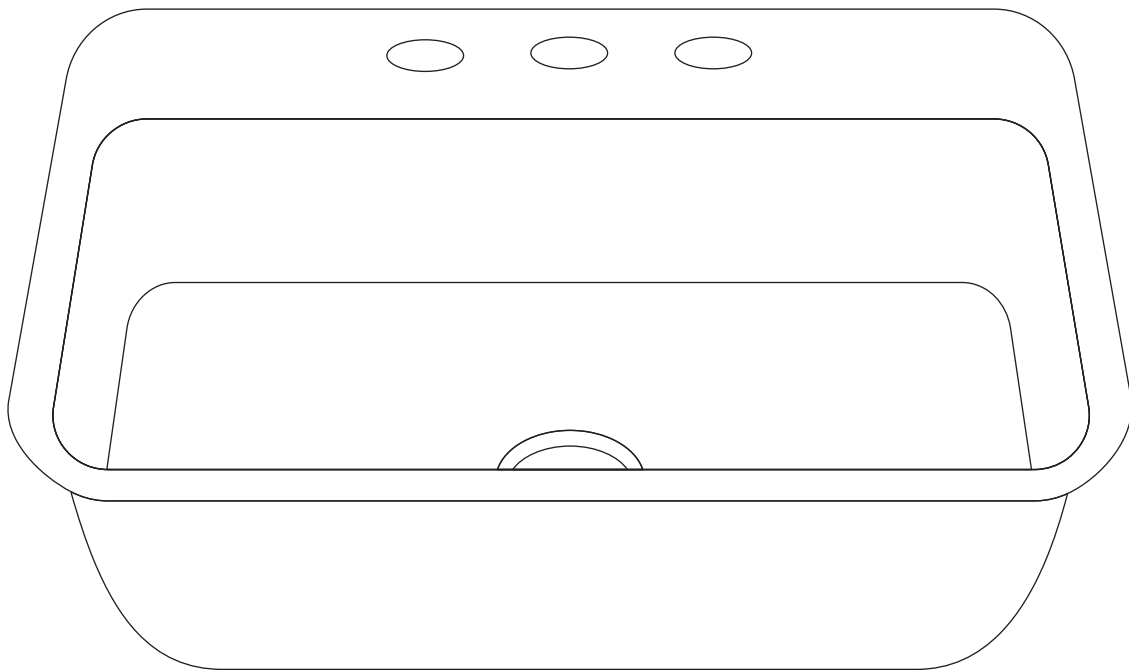


INSTALLATION INSTRUCTIONS

Swiss Madison[®]
well made forever

Stainless Steel Top-Mount Kitchen Sink



Share your pictures for a feature
using [#SwissMadison](#)



Thank you for your purchase!

Thank you for purchasing a Swiss Madison Kitchen Sink.

We appreciate your business and know you will enjoy your sink for many years to come.

If you have any questions or require assistance we would be happy to help,
please contact us at 1-434-6234766 or info@swissmadison.com.

To learn more about our products, please visit:

www.swissmadison.com

Sincerely,

The Swiss Madison Team



Prior to Installation:

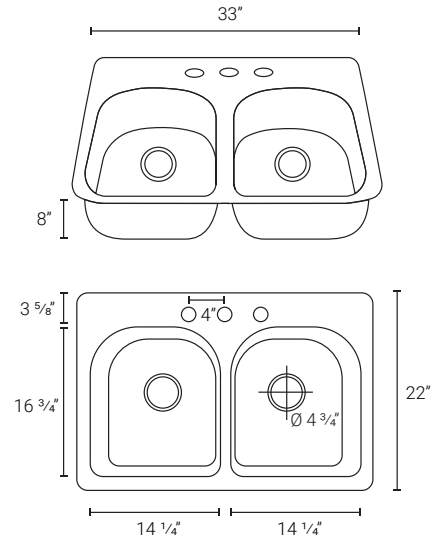
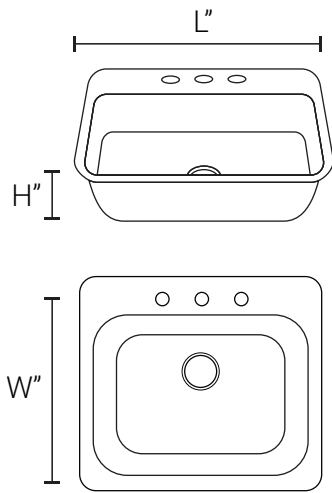
- Inspect sink to ensure no damages have occurred while in shipping.
- Use the cutout template provided by Swiss Madison.
- Observe all plumbing and building codes in accordance with your state and local requirements.
- Additional floor and wall preparations may be necessary to avoid damage to the product.
- Installation with laminate countertop not recommended.
- All dimensions are nominal! Be sure to measure your sink prior to installation.

General Recommendations: Read installation and maintenance instructions thoroughly before installing.
Be sure to use proper tools and always wear proper personal safety accessories for your protection.

If you have any questions or concerns please contact us:

1-434-623-4766

info@swissmadison.com



Collection

L" x W" x H"

*Compatible Sink Grids

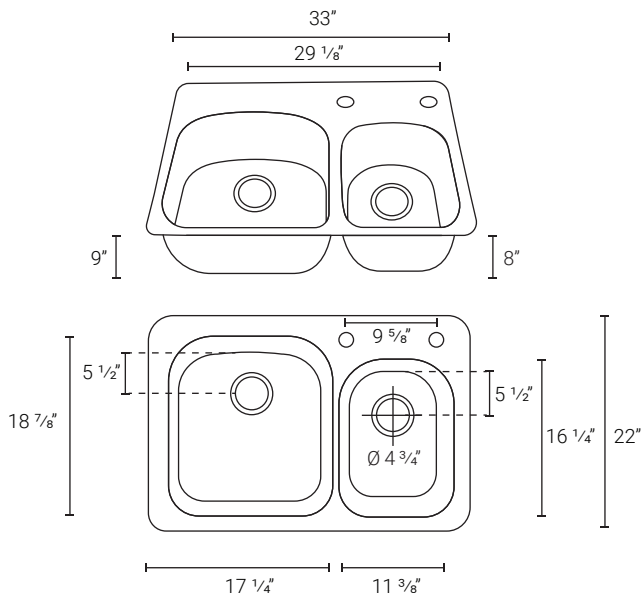
Model - Color

Ouvert

33" x 22" x 8"

*Roll-Up Grid: SM-KG700

SM-KT661 - Stainless Steel

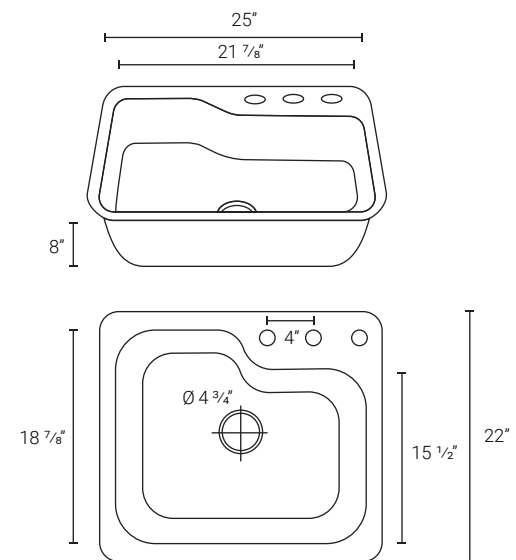


Ouvert

33" x 22" x 9"

*Roll-Up Grid: SM-KG700

SM-KT662 - Stainless Steel



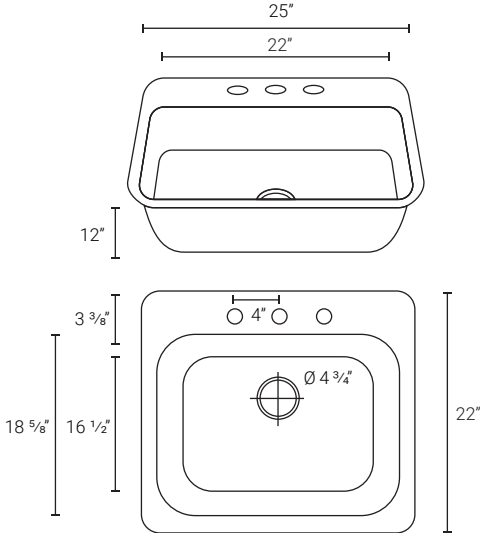
Ouvert

25" x 22" x 8"

*Roll-Up Grid: SM-KG700

SM-KT663 - Stainless Steel

*Matching grids, roll-up grids and drains are not included, color options available, please contact us if you wish to purchase one.



Ouvert

SM-KT664 - Stainless Steel

25" x 12" x 12"

*Roll-Up Grid: SM-KG700

The step-by-step guidelines in the installation instructions are a general reference for installing a Swiss Madison Sink. Should there be any discrepancies, Swiss Madison cannot be held liable. It is recommended to install all Swiss Madison products by hiring a licensed professional.

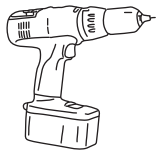
WARNING: The enclosed cutout template is provided as a guide only and should be checked against actual sink to determine correct fit. Metal edges may be sharp. Use gloves when handling.



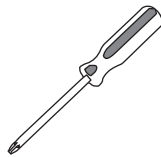
1. Read the complete instruction manual before beginning installation.
2. Confirm that your model will fit in intended location and plumbing fixtures are located where legally required before beginning installation.
3. Not all drawings on this manual are drawn to scale. Please refer to the model page.
4. Two people are recommended to install and move this product.

NOTE: Specialized tools may be necessary to install Swiss Madison Stainless Steel Sinks with countertop materials other than wood, marble, or granite.

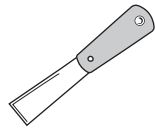
SUGGESTED TOOLS AND MATERIALS



Drill



Phillips Screwdriver



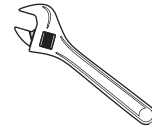
Putty Knife



Jig Saw/
Hacksaw



Gloves



Adjustable
Wrenches



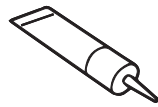
Hammer



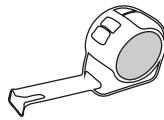
Safety
Glasses



Pencil



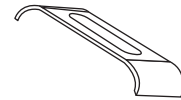
Silicone
Adhesive



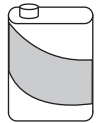
Tape
Measure



Scissors



Mounting Clips
(included)



Denatured
Alcohol

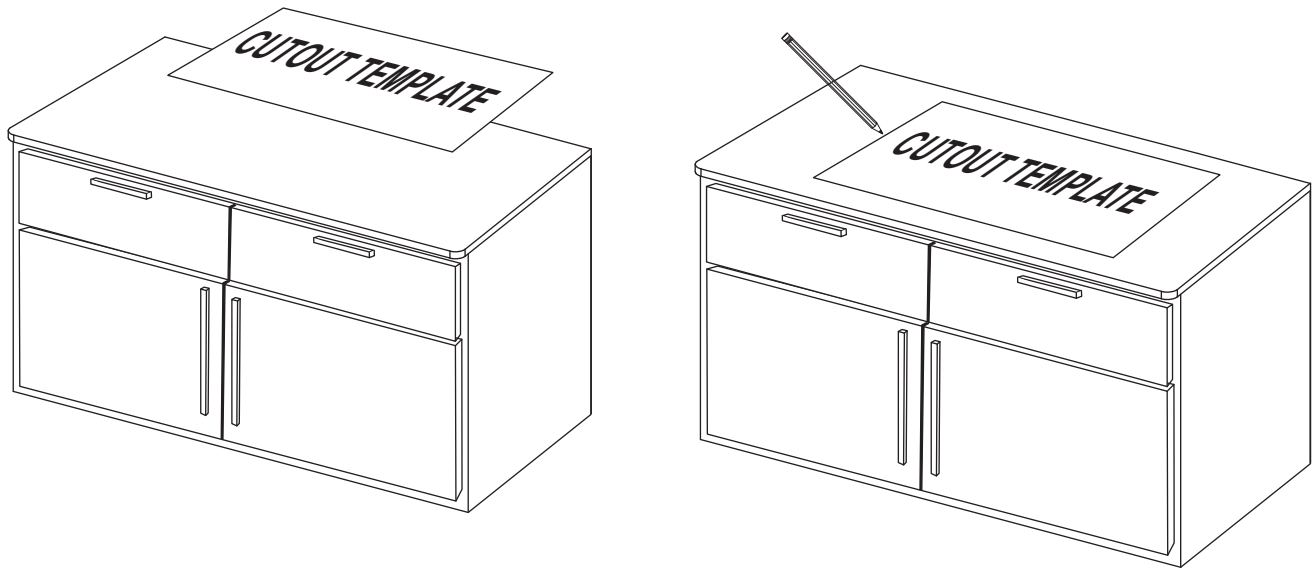
PARTS LIST

- Swiss Madison Sink
- Cutout Template
- Mounting Hardware

1. Position and Trace Template

- Check the cutout template against the actual sink to ensure a proper sized cutout.
- Place the cutout template in the desired location on the countertop.
- Trace the template onto the countertop.

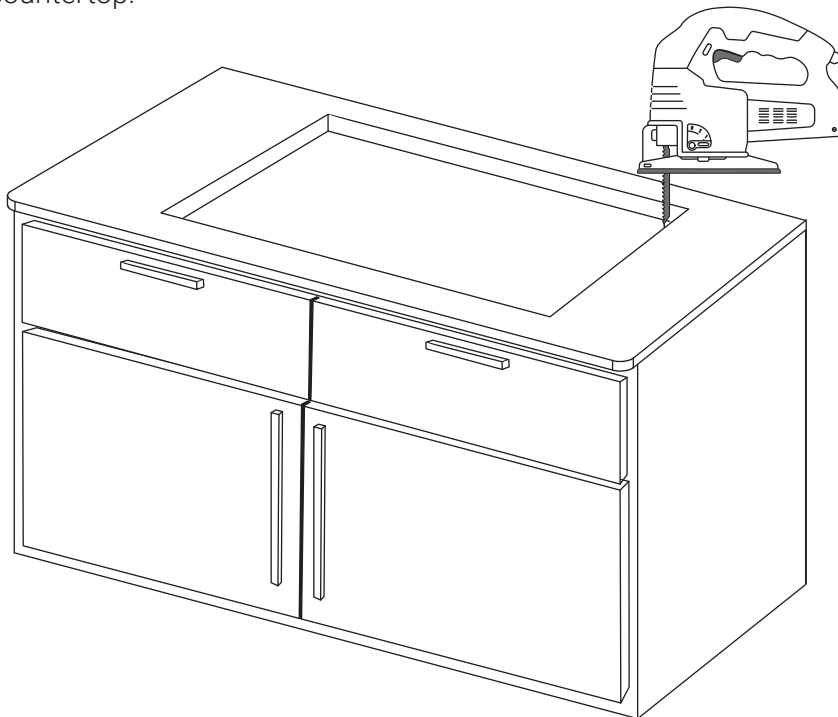
NOTE: Make sure clearance is suitable for back splash, faucet, and plumbing for the sink.



2. Cut Countertop

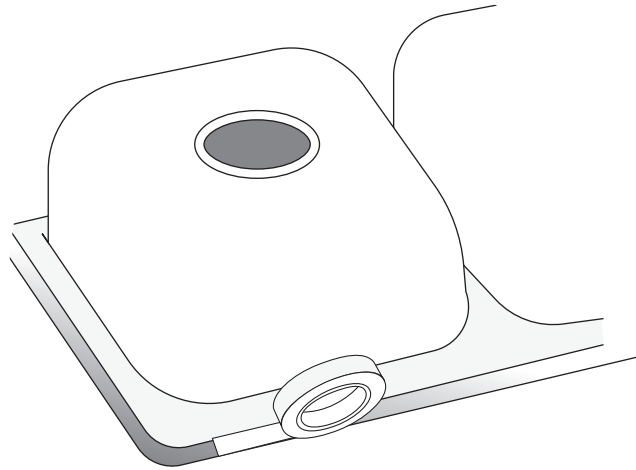
- Cut an opening in the countertop by carefully following the traced line from the template.

NOTE: Please use the appropriate saw that best fits your countertop material. Professional should be consulted for cutting countertop.



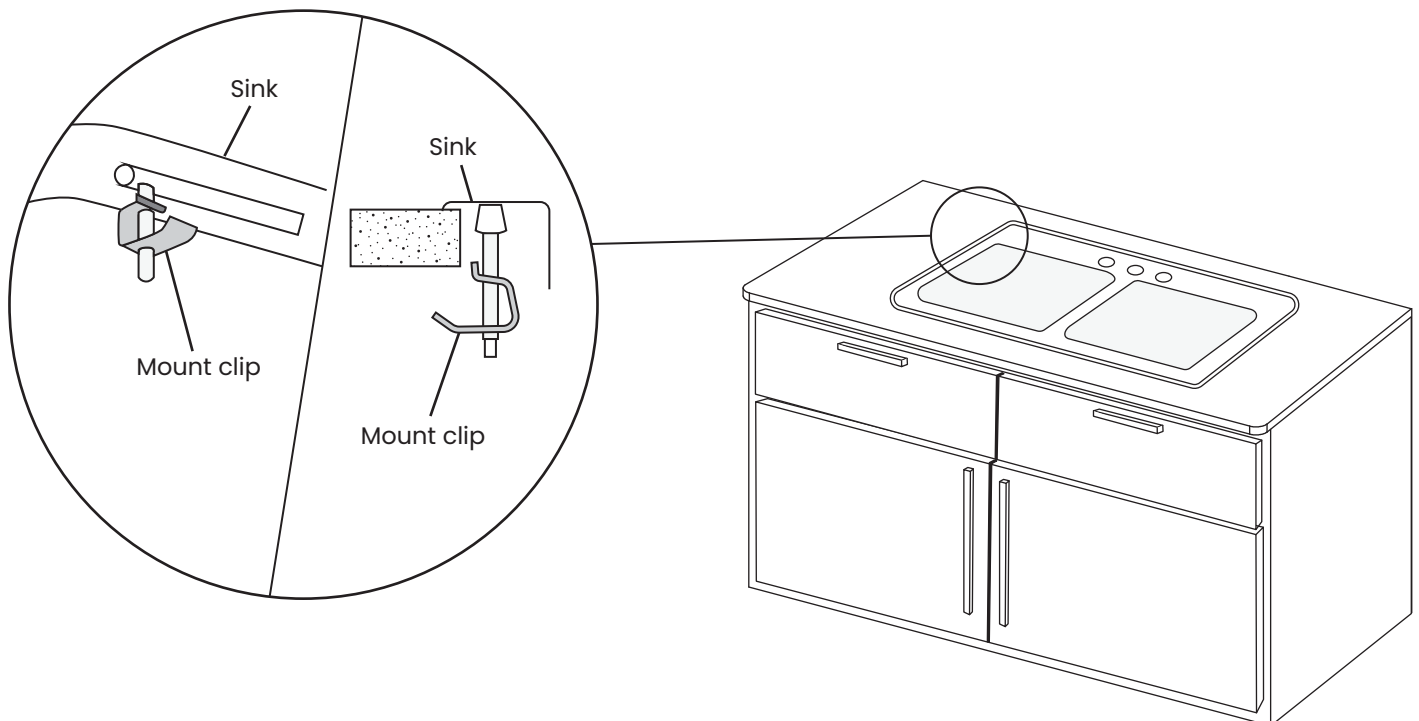
3. Prepare the Sink

- Place the sink into the installation hold to verify the fit. Adjust the cutout if necessary.
- Place the sink upside down and align the bottom edge with waterproof strip.



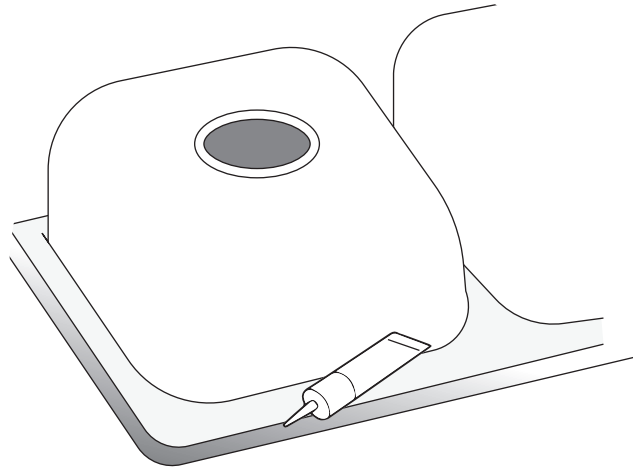
4. Attach Mounting Clips

- Attach the top-mount clips to the edge of the sink.



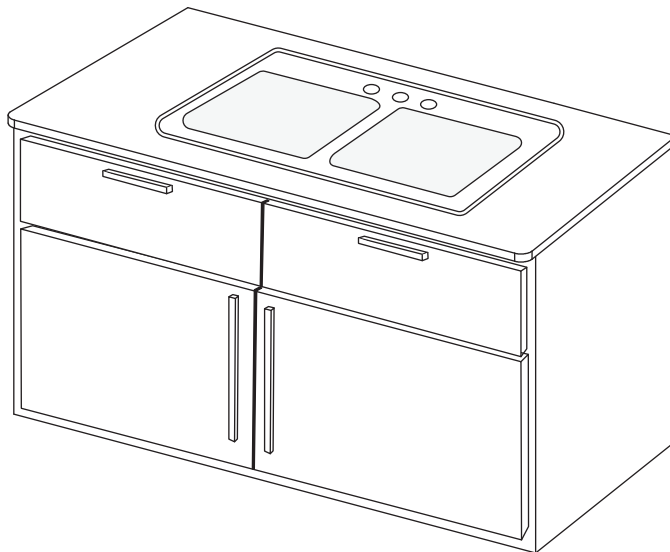
5. Install the Sink

- Apply silicone sealant (not included) around the underside and lip of the sink.
- Carefully lower the sink into the counter.
- Tighten the screws on the top-mount clips evenly until the sink is flush with the counter. Do not over-tighten.
- Wipe excess sealant with a rag.



6. Install Plumbing Fixtures

- Connect drain trap to drain, and water supply connections to faucet according to manufacturer's instruction.
- Test run water into sink and check for leaks.



Lifelong Care: Swiss Madison Stainless Steel Sinks are easy to maintain with minimal care. For best results, always rinse with mild soap and wipe after each use. Rub lightly with soft cloth in the direction of the drain on a regular basis. To avoid damage and discoloration to the sink surface never use steel wool, scouring pad or abrasive cleaners.

ONE YEAR LIMITED WARRANTY

Swiss Madison® products are made with quality materials and excellent craftsmanship to provide our customers with beautiful, durable, long-lasting products. Should there be any defects in materials or craftsmanship under regular use that are discovered within the first year of installation, Swiss Madison® will provide replacement parts at no charge, or at its discretion, replace any product or part of the product that is deemed defective, under normal installation, use, service or maintenance. This warranty applies only to the original purchaser. Proof of purchase will be required in the instance of a claim.

Swiss Madison® recommends all installations of Swiss Madison® products to be conducted by a licensed, professional plumber or contractor. Swiss Madison® will not be held responsible for any damage or product failure due to improper installation, misuse, or failure to utilize a licensed professional for installation. Swiss Madison® is not responsible for any installation or removal costs.

This One Year Limited Warranty Will Be Voided If:

- The installation recommendations were not followed by the installer
- The product has been moved from its initial place of installation
- The product has in any way been modified from its packaged state
- The product has been subjected to improper maintenance, abuse, misuse, excessive use of chemicals, accidents, or other damages, etc.

Swiss Madison® makes no implication that its products comply with any local building or plumbing codes. It is the consumer's responsibility and obligation to determine local code compliance prior to and during installation. This warranty extends only to the original purchaser and first consumer.

Swiss Madison® is not responsible for any special, incidental or consequential damages associated with the installation, replacement, return or use of the original purchaser's product. This includes, but is not limited to: freight costs, labor, travel time, lost profit, home damages and other contingent liabilities and costs (including, without limitation, costs associated with 'professionals' or 'experts', investigations, audits, analyses, attorneys and any other professional/hired services).

The Swiss Madison® warranty is a comprehensive and explicit limit of liability. All items not disclosed within the warranty are not addressable within the responsibility of Swiss Madison®. Certain states have variances regarding implied warranties; in those situations, we remain fully compliant.

**If you have any questions or concerns, please contact us directly at
1-434-MADISON (623-4766)**

⚠ WARNING: Contents of your order may contain sharp and possibly other harmful pieces and may cause hazard to children and adults. Swiss Madison® is not responsible in any way for personal damages.