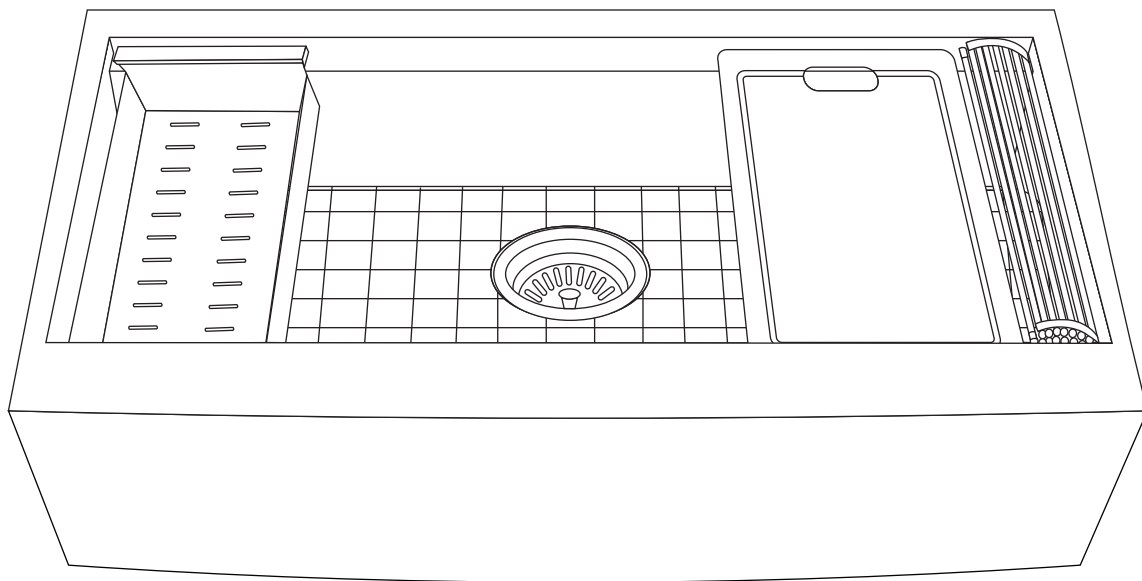


INSTALLATION INSTRUCTIONS

Swiss Madison[®]
well made forever

Stainless Steel Farmhouse Kitchen Workstation Sink



Share your pictures for a feature
using **#SwissMadison**





Prior to Installation:

- Inspect sink to ensure no damages have occurred while in shipping.
- Use the cutout template provided by Swiss Madison.
- Observe all plumbing and building codes in accordance with your state and local requirements.
- Additional floor and wall preparations may be necessary to avoid damage to the product.
- Make sure to purchase the correct cabinet for your farmhouse sink.
- Installation with laminate countertop not recommended.
- All dimensions are nominal! Be sure to measure your sink prior to installation.

General Recommendations: Read installation and maintenance instructions thoroughly before installing the sink. Be sure to use proper tools and always wear proper personal safety accessories for your protection.

If you have any questions or concerns please contact us:

1-434-623-4766
info@swissmadison.com

Thank you for your purchase!

Thank you for purchasing a Swiss Madison Kitchen Sink.

We appreciate your business and know you will enjoy your sink for many years to come.

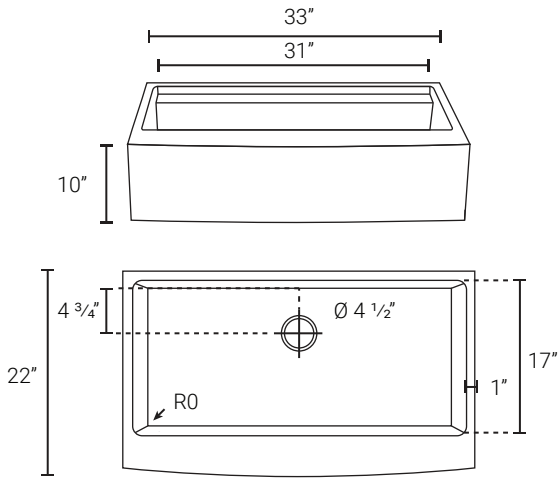
If you have any questions or require assistance we would be happy to help,
please contact us at 1-434-6234766 or info@swissmadison.com.

To learn more about our products, please visit:

www.swissmadison.com

Sincerely,

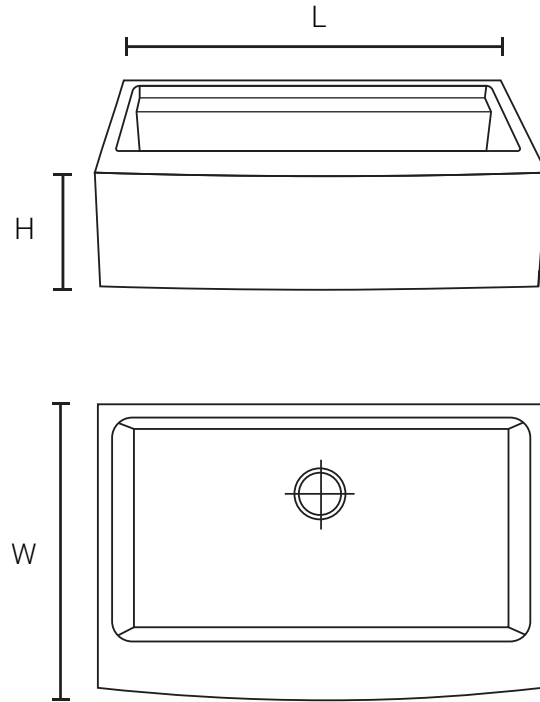
The Swiss Madison Team



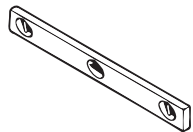
Turner

33" x 22" x 10"

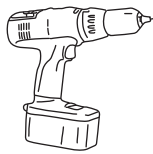
- SM-KS28G - Gold
- SM-KS28B - Black
- SM-KS28RG - Rose Gold



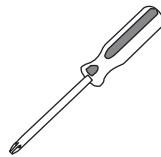
SUGGESTED TOOLS AND MATERIALS



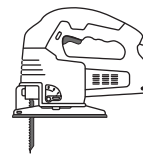
Level



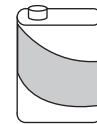
Drill



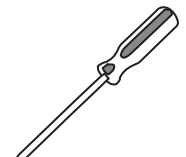
Phillips Screwdriver



Jig Saw



Acetone



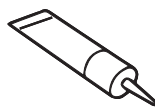
Screwdriver



Safety Glasses



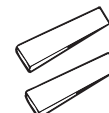
Pencil



Silicone Adhesive



Tape Measure



Shims



Wrench

PARTS LIST

- Swiss Madison Sink
- Cutout Template

NOTE: Specialized tools may be necessary to install Swiss Madison Stainless Steel Farmhouse Sinks with countertop materials other than wood, marble, or granite.

The step-by-step guidelines in the installation instructions are a general reference for installing a Swiss Madison Sink. Should there be any discrepancies, Swiss Madison cannot be held liable. It is recommended to install all Swiss Madison products by hiring a licensed professional.

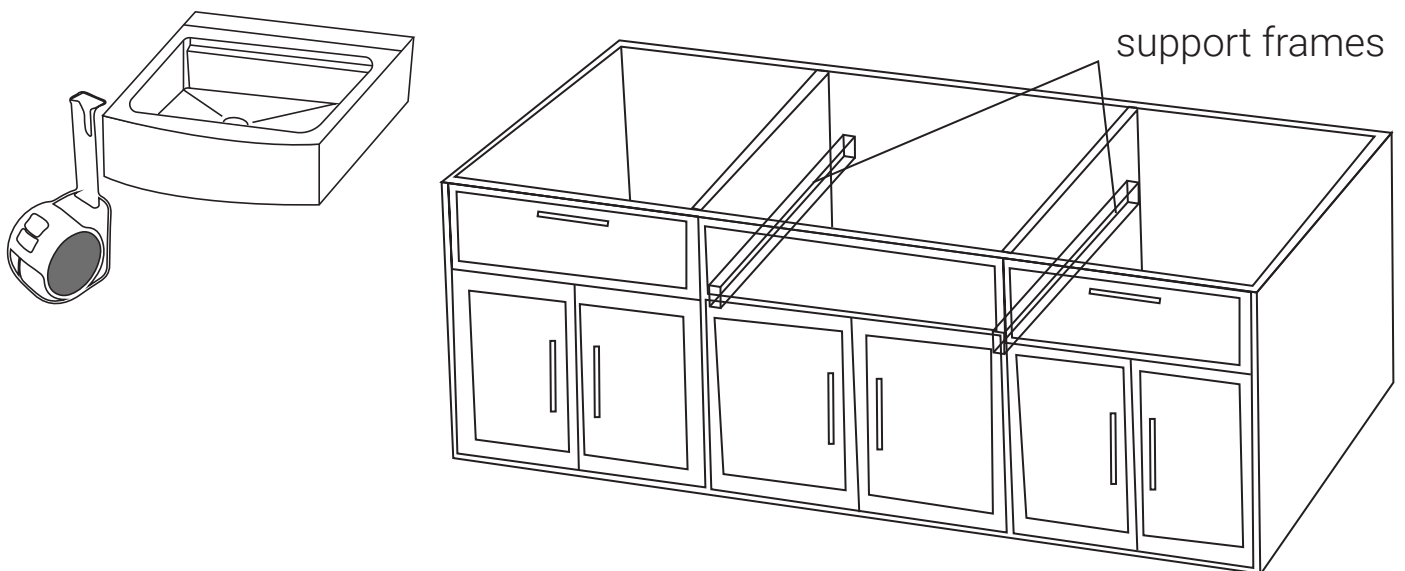
- ① 1. Read the complete instruction manual before beginning installation.
- 2. Confirm that your model will fit in intended location and plumbing fixtures are located where legally required before beginning installation.
- 3. Not all drawings on this manual are drawn to scale. Please refer to the model chart.
- 4. Two people are recommended to install and move this product.

1. Measure and Assemble Supports

- Pre-cut two 17" peices of material of your choice for the support frames.
- Measure actual height of the apron.

NOTE: From top of cabinet to top of support should be about 10" to accomodate sink.

- Build support frames on the inside of cabinet based on sink measurements. Be sure to fasten supports through cabinets for strength to hold sink.

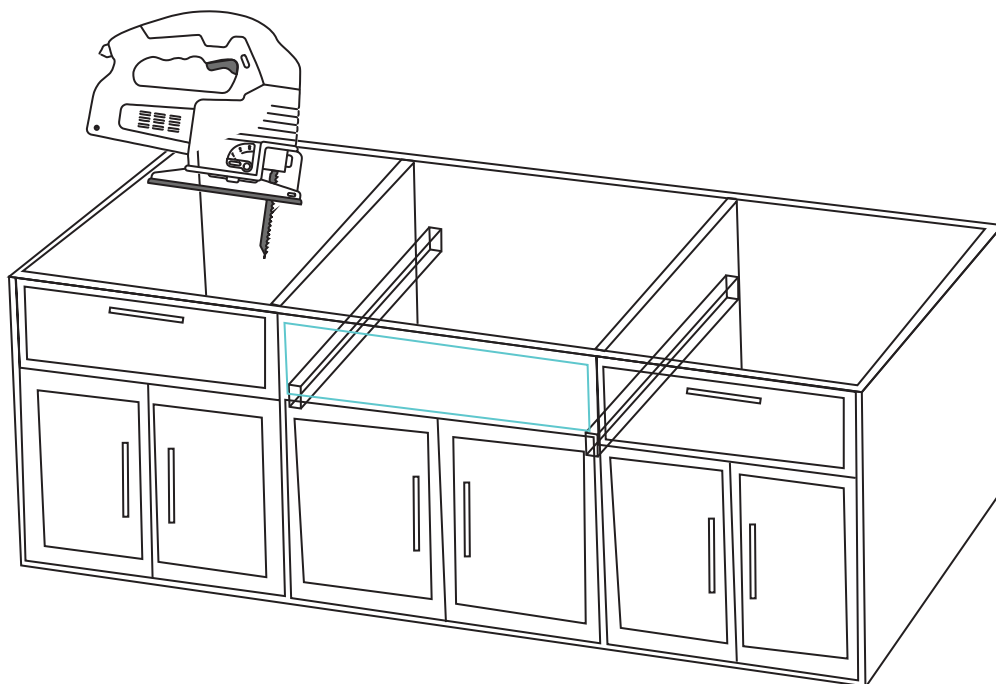


2. Cut Front of Cabinet

- Measure the height of apron front add 1/16" to the dimensions when marking base cabinet front cutting location.
- Use saw to cut.

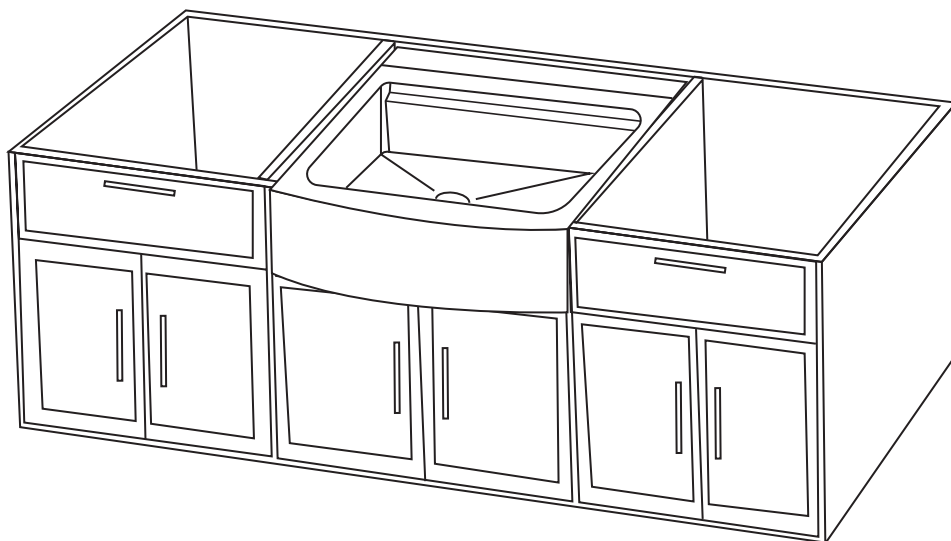
NOTE: Supports must be level for sink to drain properly.

ALWAYS WEAR PROTECTIVE GEAR WHEN USING DANGEROUS MATERIALS



3. Install Sink

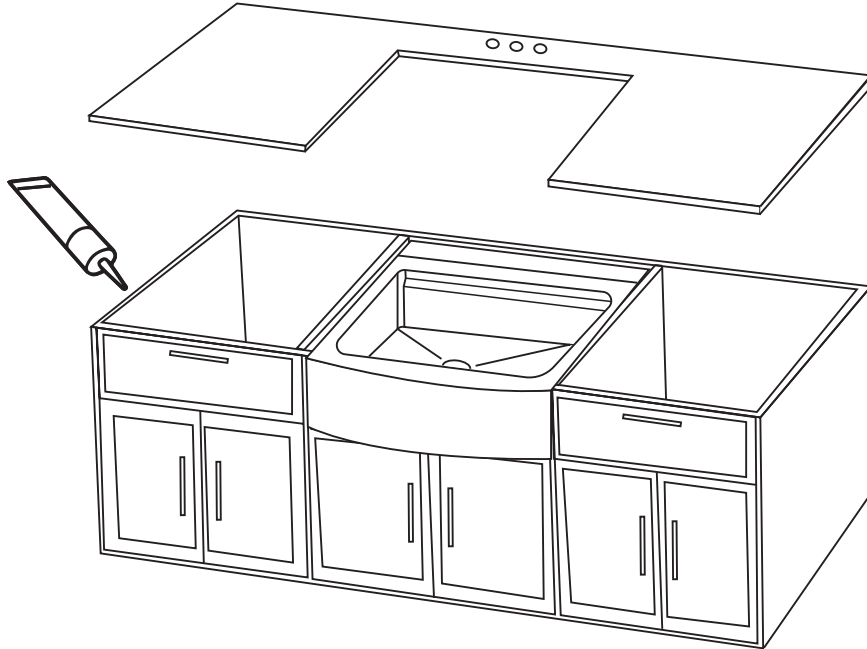
- Carefully place sink into the opening. The weight of sink should be sustained by the prebuilt support frames.
- Verify sink is leveled from side to side and front to back using a level. Use shims if needed.
- Use sealant to seal any gaps where required.



4. Affix Countertop

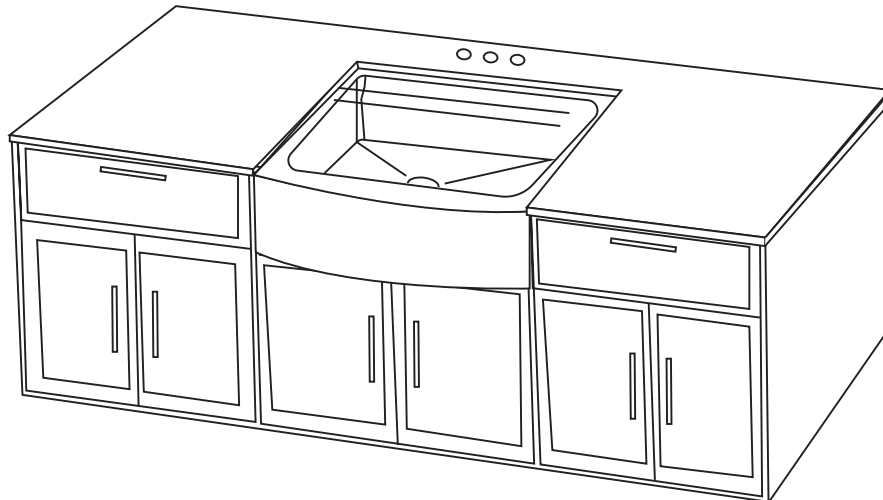
- Use a bead of silicone or preferred adhesive around the rim of the sink.
- Verify the alignment of the sink to the cutout countertop. Align cut countertop hole over the sink and press firmly.

NOTE: Sealant is very important around the three sides for the sink underneath the countertop. Use acetone or denatured alcohol to remove any excess sealant.

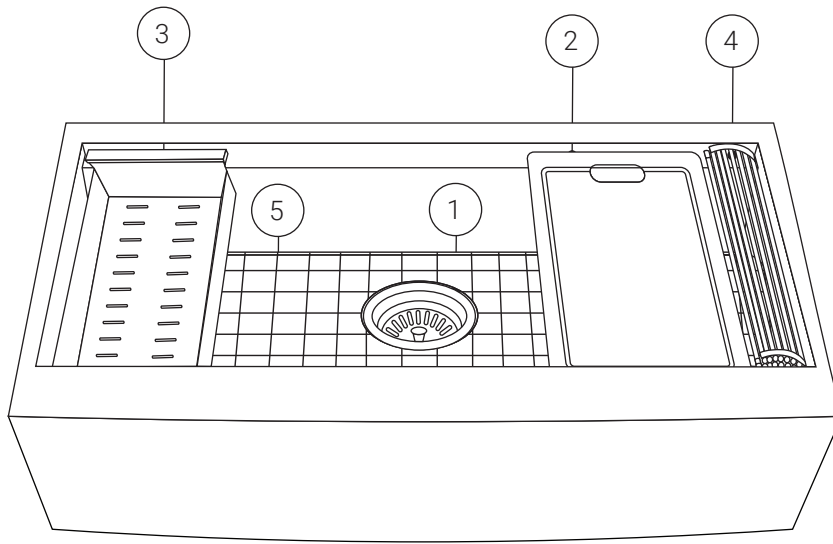


5. Installing Plumbing Fixtures

- Connect drain trap to drain and water supply connections to the faucet according to manufacturers instruction.
- Run water and check for leaks.



Lifelong Care: Swiss Madison Stainless Steel Sinks are easy to maintain with minimal care. For best results, always rinse with mild soap and wipe after each use. Rub lightly with soft cloth in the direction of the drain on a regular basis. To avoid damage and discoloration to the sink surface never use steel wool, scouring pad or abrasive cleaners.



Included Accessories:

- 1. 4.5" Strainer with Tail Pipe
- 2. 10 1/4" x 17" Wood Cutting Board
- 3. 16 3/4" x 7 3/4" Colander
- 4. 17" x 12 1/2" Dryer Rack
- 5. 30 3/4" x 15 3/4" Bottom Grid

ONE YEAR LIMITED WARRANTY

Swiss Madison® products are made with quality materials and excellent craftsmanship to provide our customers with beautiful, durable, long-lasting products. Should there be any defects in materials or craftsmanship under regular use that are discovered within the first year of installation, Swiss Madison® will provide replacement parts at no charge, or at its discretion, replace any product or part of the product that is deemed defective, under normal installation, use, service or maintenance. This warranty applies only to the original purchaser. Proof of purchase will be required in the instance of a claim.

Swiss Madison® recommends all installations of Swiss Madison® products to be conducted by a licensed, professional plumber or contractor. Swiss Madison® will not be held responsible for any damage or product failure due to improper installation, misuse, or failure to utilize a licensed professional for installation. Swiss Madison® is not responsible for any installation or removal costs.

This One Year Limited Warranty Will Be Voided If:

- The installation recommendations were not followed by the installer
- The product has been moved from its initial place of installation
- The product has in any way been modified from its packaged state
- The product has been subjected to improper maintenance, abuse, misuse, excessive use of chemicals, accidents, or other damages, etc.

Swiss Madison® makes no implication that its products comply with any local building or plumbing codes. It is the consumer's responsibility and obligation to determine local code compliance prior to and during installation. This warranty extends only to the original purchaser and first consumer.

Swiss Madison® is not responsible for any special, incidental or consequential damages associated with the installation, replacement, return or use of the original purchaser's product. This includes, but is not limited to: freight costs, labor, travel time, lost profit, home damages and other contingent liabilities and costs (including, without limitation, costs associated with 'professionals' or 'experts', investigations, audits, analyses, attorneys and any other professional/hired services).

The Swiss Madison® warranty is a comprehensive and explicit limit of liability. All items not disclosed within the warranty are not addressable within the responsibility of Swiss Madison®. Certain states have variances regarding implied warranties; in those situations, we remain fully compliant.

**If you have any questions or concerns, please contact us directly at
1-434-MADISON (623-4766)**

⚠ WARNING: Contents of your order may contain sharp and possibly other harmful pieces and may cause hazard to children and adults. Swiss Madison® is not responsible in any way for personal damages.