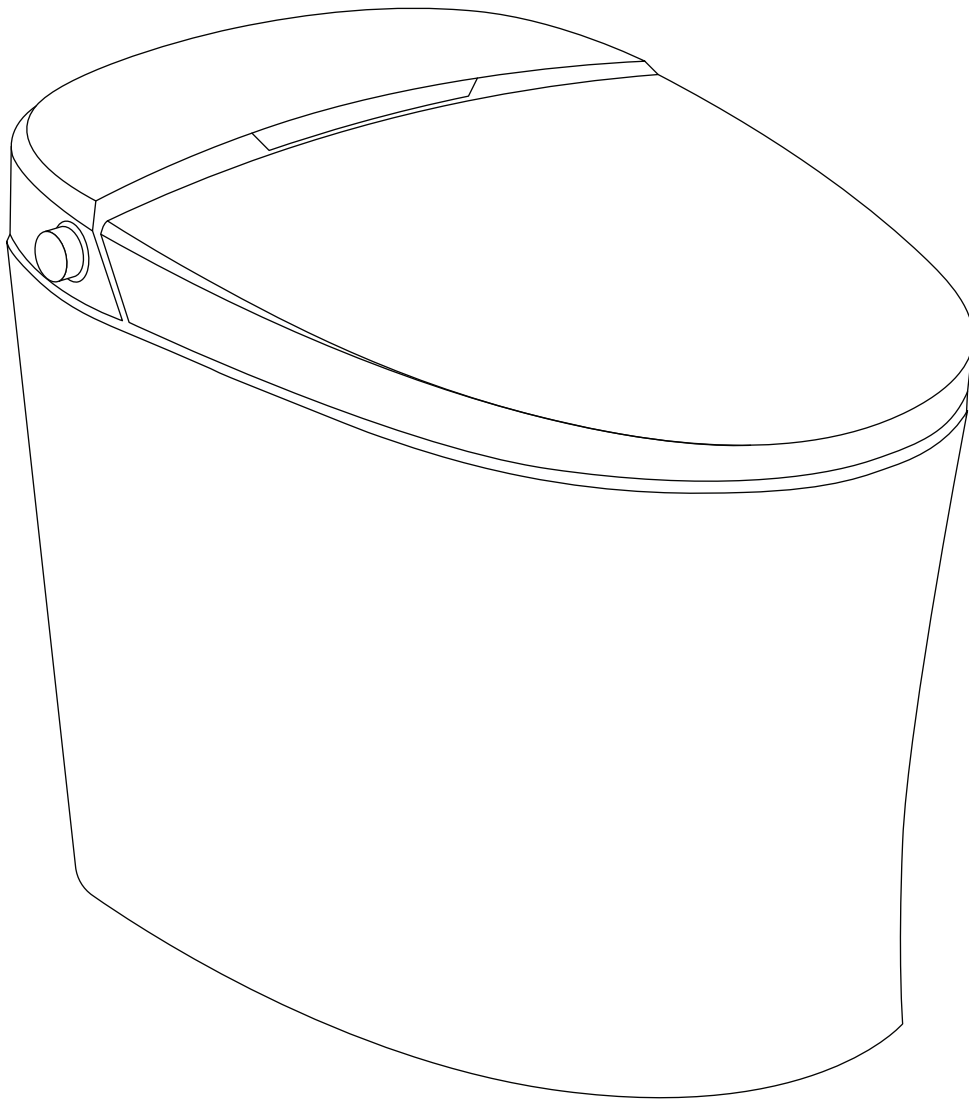


# Avancer Smart Toilet INSTALLATION INSTRUCTIONS

---

Swiss Madison®  
well made forever



**TOUCHLESS**  
technology

@SwissMadison  
#WellMadeForever





## PRIOR TO INSTALLATION:

- Inspect toilet to ensure no damages have occurred while in shipping.
- Observe all plumbing and building codes in accordance with your state and local requirements.
- All dimensions are nominal! Be sure to measure your toilet prior to installation.
- The step-by-step guidelines in the installation instructions are a general reference. Should there be any discrepancies, Swiss Madison cannot be held liable. It is recommended to install all Swiss Madison products by hiring a licensed professional.
- Read installation and maintenance instructions thoroughly before installing. Be sure to use proper tools and always wear proper personal safety accessories for your protection.
- Two people are recommended to handle and install this product as it is fragile.

If you have any questions or concerns please contact us:

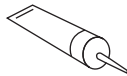
1-434-623-4766

info@swissmadison.com

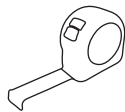
## SUGGESTED TOOLS & MATERIALS:



Safety Glasses



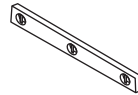
Sealant



Tape Measure



Wrench



Level

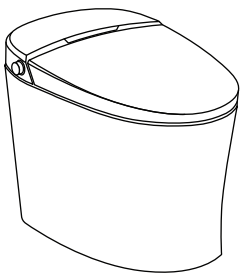


Bucket

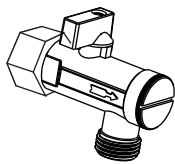


Drill

## INCLUDED PARTS:



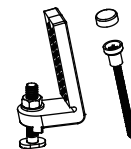
Tankless Toilet



Angle Valve



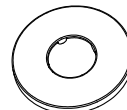
Sealing Flange



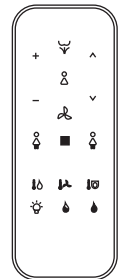
Mounting Kit



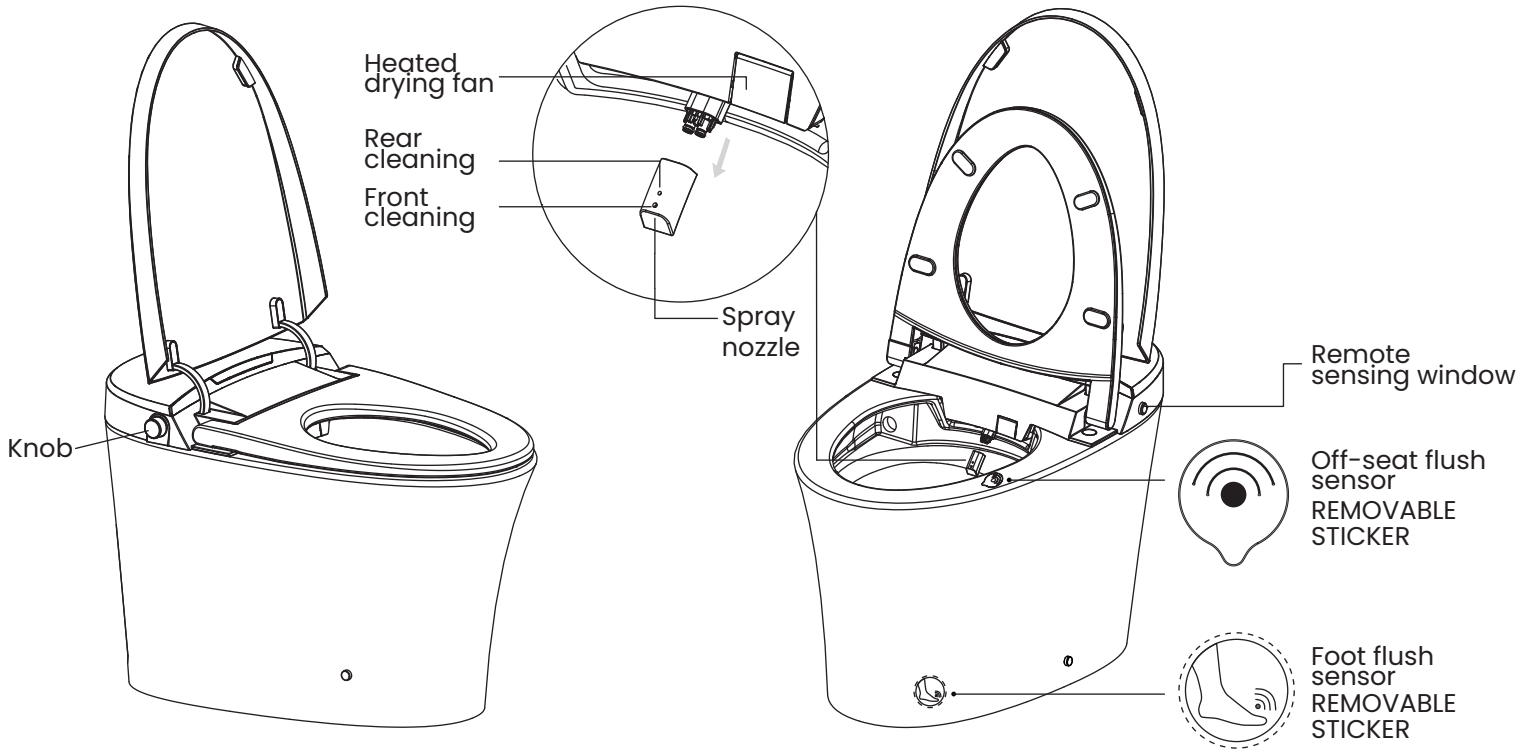
Braided Hose



Flange



Remote

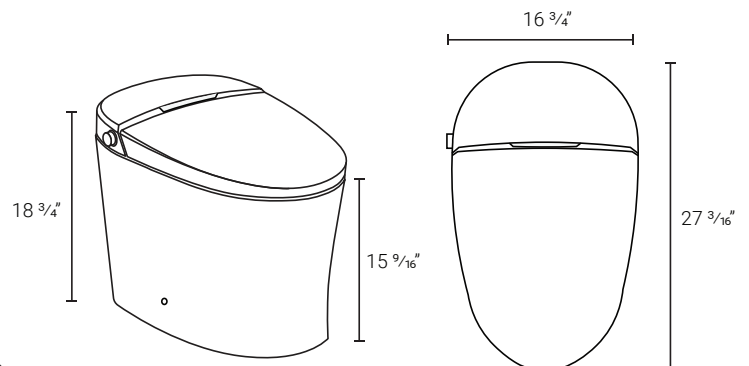


## PRODUCT FEATURES:

- **Automatic Flushing:** Toilet will automatically flush as you walk away from the bowl. When the user sits less than 60 seconds it will activate a half flush. When the user sits for more than 60 seconds, it will activate a full flush.
- **Side Manual Flush:** Press the knob on the side of the toilet to manually activate a full flush.
- **Foot-Sensor Flushing:** Tap the foot sensor area to activate a half flush.
- **Soft-Close Seat.**
- **Heated Seat:** Adjust 6 level seat temperature with the remote. The seat temperature will automatically lower to level 1 after 10 minutes.
- **Bidet Wash:** Rear and front massage wash with 6 level water temperature adjustment and 3 level water pressure adjustment.
- **Self-Cleaning:** Self-cleaning, anti-bacterial spray nozzle, anti-bacterial seat.
- **Night Light:** Smart white night light, normally off.
- **User Settings:** Adjustable male and female automatic wash settings to personalize your experience.

## SPECIFICATION PARAMETERS:

- Requires power to operate
- Requires one 9V battery for back up flushing
- Rated Voltage: 110V-120V
- Rated Power: 1200-1400W
- IP Rating: IPX4
- Flush Volume: Full flush 1.6 GPF / Half flush 1.1 GPF
- Flush Type: Vortex™
- Rough-in: 12"
- Waste Outlet: S-trap 12"
- Outer Outlet Diameter: 3.5"
- Water Pressure Range: 0.09MPa ( dynamic water pressure, flow rate 4 gal/min or more) - 0.8MPa (static water pressure)
- Bidet Heating Power: 1400W
- Drying Heating Power: 250W
- Warm Air Volume: Over 7 ft<sup>3</sup> / min

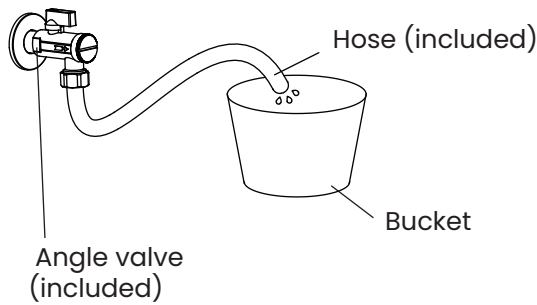


## TOILET INSTALLATION:

### 1. Check Pressure

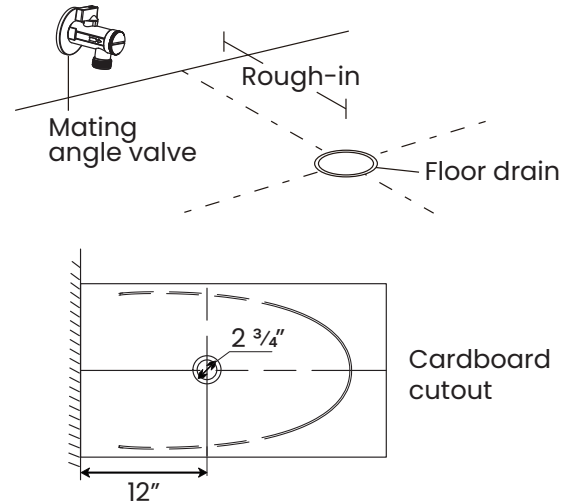
- The minimum dynamic working water pressure is 0.09MPa or more (4 gal/min or more), failure to meet this pressure will not achieve the best flushing effect.

If you do not have a water pressure testing device, open the angle valve and connect water inlet for 10s, once the water volume is above 0.66 gal, the minimum water pressure of the product is ensured.



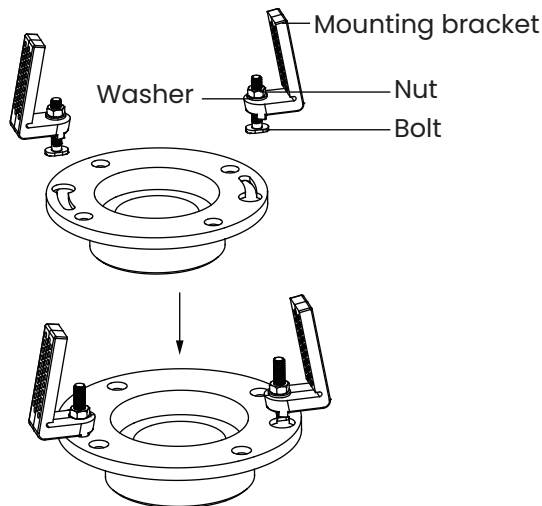
### 2. Rough-In & Install Angle Valve

- Measure the wall from behind the toilet to the middle of the floor drain. Your rough-in measurement should be 12".
- Install angle valve at proper position on the wall according to toilet inlet placement.
- Align cardboard with the centerline of the drain outlet, then draw a contour line according to the cardboard.



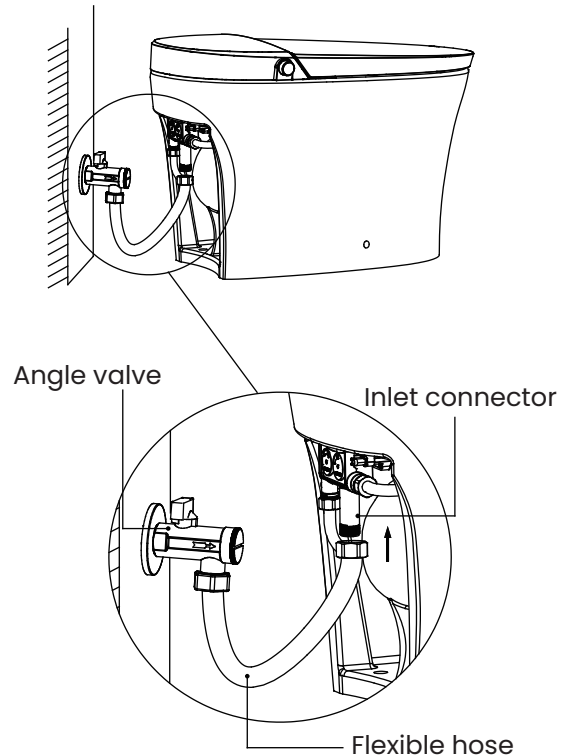
### 3. Install Mounting Bracket

- Assemble the mounting bracket with bolts and then install them to the pre-installed flange plate on the ground and lock tight with nuts.



### 4. Connect to Water Supply

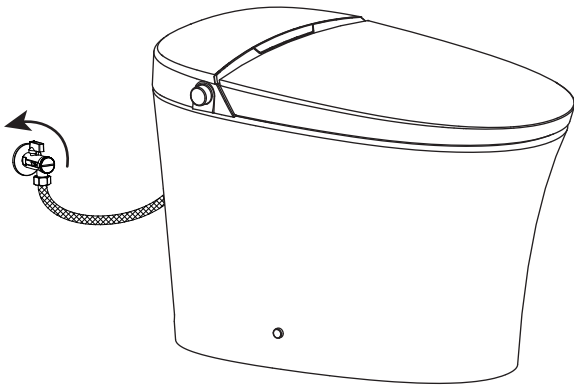
- Connect the water inlet and angle valve of the toilet with the matching hose and tighten it.



## 5. Turn on Angle Valve

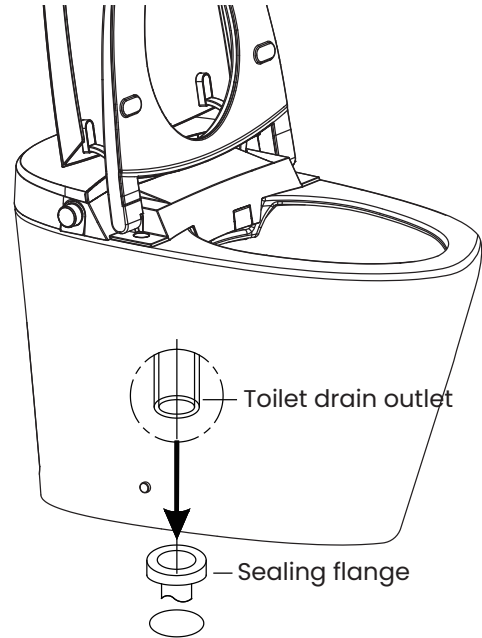
- Check thread connection and check for leaks. Unscrew angle valve counterclockwise to open all the way.

**NOTE:** When opening for the first time, the angle valve handle has a larger torque.



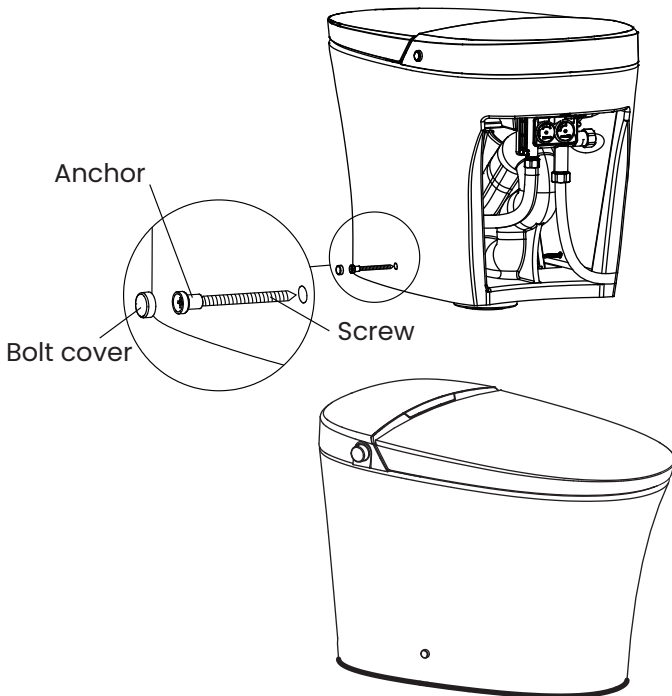
## 6. Install Toilet

- Install toilet by putting sealing flange into drain outlet. This could be done by two people, the toilet is heavy.



## 7. Secure Toilet

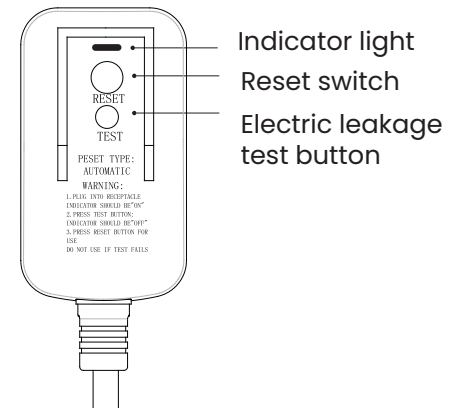
- Put the screw through the anchor and then install it through the holes on both sides of the toilet to the mounting bracket and tighten.
- Cover installation bolts with bolt covers.
- Apply a thin bead of sealant around toilet base.



## 8. Connect Power

- Insert power line leakage protection plug into the power socket. Press the reset switch and look for the indicator lights to indicate the power is on. Once connected to power, the toilet will beep and the knob will light up and start self testing. After self testing is complete, the knob will light up and proceed to normal function.

**NOTE:** Press electric leakage test button prior to usage, the reset switch pops up indicating that the leakage protection function is normal. Press the TEST button (then RESET button) every month to assure proper operation.



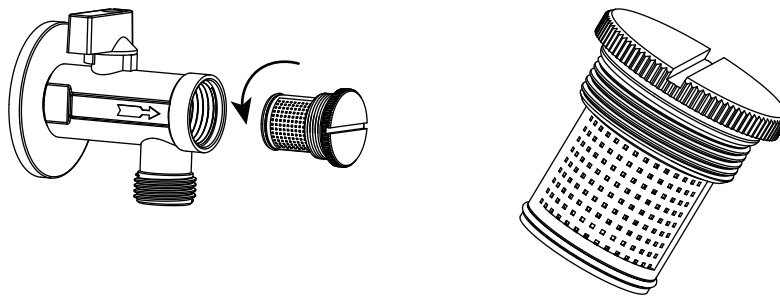
## MAINTENANCE

### 1. Daily Usage Caution

- Turn off power supply before cleaning.
- Use only a soft, damp cloth to clean the toilet. Avoid using harsh chemicals.

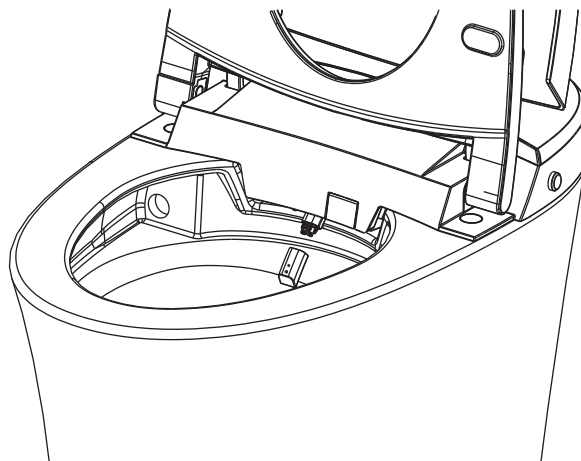
### 2. Cleaning Filter

- The filter should be cleaned if the water pressure is normal, but the toilet is not flushing normally.
- Disconnect the power supply and turn off water supply at the angle valve.
- Unscrew angle valve nut and remove.
- Remove filter net and use a brush to clean.
- Re-install filter and angle valve nut, turn on the angle valve and connect power.



### 3. Spray Nozzle Maintenance & Care

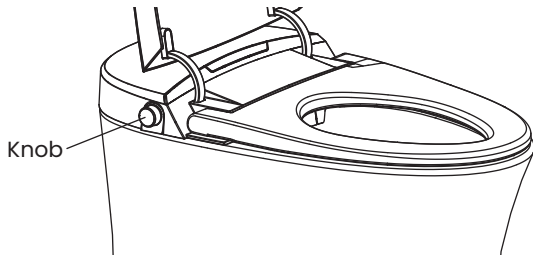
- Nozzle will self clean when the user gets off the seat. Rotate the knob clockwise to manually clean the nozzle, the knob will automatically extend and flush nozzle with water.
- To disassemble the nozzle, wait until it moves forward, then disassemble and clean. Do not pull or push the wand to avoid damage. Use a soft cloth or brush to clean. When cleaning is finished, put the nozzle back into the toilet and press the "stop" button to automatically retract the nozzle.



## USAGE

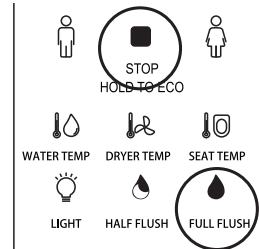
### 1. Manual Flushing

- Press the knob to manually activate a full flush.



### 2. Activating Foot Sensor Flushing

- To turn on foot-sensor flushing, press the “STOP” and the “FULL FLUSHING” button on the remote simultaneously. Repeat to turn off.
- This function will not work while the user is sitting.



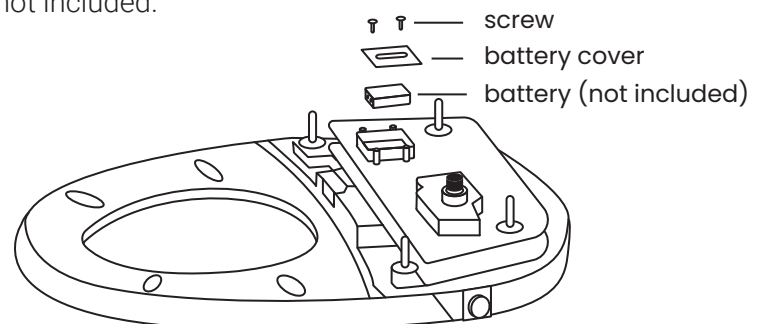
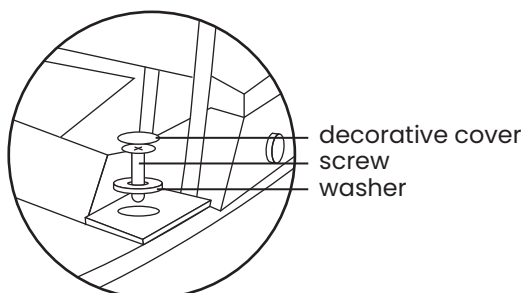
### 3. Knob Functions

- Rotate clockwise to start rear cleaning, rotate counterclockwise to start front cleaning. Rear and front cleaning will automatically enter drying mode after completion.
- If user is not seated and the knob is rotated clockwise, manual nozzle cleaning will begin.
- After starting the rear and front cleaning, turn the knob clockwise to move the spray rod forward, and counterclockwise to move the spray rod backwards. Hold down the knob to switch to the water pressure adjustment mode. Turning the knob clockwise in this mode will increase the water pressure, and counterclockwise will decrease the water pressure. Hold the knob again to switch back to spray rod position adjustment mode.
- After starting the drying function, turning the knob clockwise will increase the wind temperature, and counterclockwise will decrease the wind temperature.
- Press the knob at any time to stop the current function. Pressing the knob after functions stop will flush the toilet.
- Hold down the knob after use to turn off the toilet and put it in standby mode, the light will turn off. In power saving mode, the light will breathe.
- If the toilet is in standby mode, press the knob to enter normal working mode.

### 4. Battery Installation & Replacement

- Pull out the power plug and turn of water supply.
- Fully open the seat and cover, take out the left and right decorative covers, unscrew the screws counterclockwise, and take out the gasket.
- Pull up the cover slightly with both hands so the back end of the cover is separated from the ceramic positioning column, you may hear a “clicking” sound.
- Pull out the plug-in connecting line, loosen the water inlet pipe and remove the whole seat and cover.
- Place the seat flat with bottom facing up, be careful not to scratch the top of the seat.
- Remove the battery box cover from the bottom of the seat to install or replace the 9V battery.
- Place the battery cover over the new battery then turn on water supply and power.

**NOTE:** Optional for back up flushing use only, battery not included.



**TROUBLESHOOTING**

**1. How to flush without water supply:**

- Put around 2.1 gal of water into a bucket and pour into bowl to flush.

**2. What to do when not in use for a long period of time (over three days):**

- Unplug and remove the battery box and all batteries.
- Drain out water by flushing the toilet after turning off the angle valve to prevent water from entering.
- Drain out water inside pipe by unscrewing the hose from the angle valve, draining, then re-installing.
- It is suggested to put antifreeze inside the bowl to prevent any remaining water from freezing.
- When ready to use again, reconnect water and power supply.

<b>PROBLEM</b>	<b>CAUSE</b>	<b>SOLUTION</b>
<b>Not Flushing</b>	Water supply hose is buckling and causing a block.	Solve the buckling.
	Fill valve is off.	Turn on the fill valve.
	Water supply is cut off.	Connect water supply and wait for the water.
<b>Poor Flushing</b>	Water supply hose is buckling and causing a block.	Solve the buckling.
	Fill valve is not fully turned on.	Turn on fill valve fully.
	The filter is dirty and blocked.	Clean the filter.
<b>Low Water Temperature</b>	Water temperature is set to normal.	Reset the water temperature.
<b>Low Seat Temperature</b>	Seat temperature is set to normal.	Reset the seat temperature.
	In standby mode.	Switch to normal function mode and wait 3 minutes before use.
<b>Low Wind Temperature</b>	Wind temperature is set to normal.	Reset the wind temperature.
<b>No Wind</b>	In standby or power saving mode.	Shift to function mode.
<b>Spray Wand Not Retracting</b>	Power is off.	Push back the wand lightly and wait for power.
	Clogged by impurities.	Clear away the impurities.
<b>Spray Wand Not Extending</b>	Power is off.	Push back the wand lightly and wait for power.
	Not sitting in the sensing area.	Sit in the sensing area.
<b>Remote Not Working</b>	Reverse the polarity of the battery.	Reload the battery.
<b>CAUTION</b>	If the problems cannot be solved as per above methods, please disconnect power and contact Swiss Madison for maintenance.	
	If the leakage circuit breaker trips off often, the product has an electric leakage. Shut off the power and contact Swiss Madison for maintenance.	



## WARNINGS

### **DANGER – To reduce the risk of electrocution:**

- Do not use while bathing.
- Do not place or store product where it can fall or be pulled into a tub or sink.
- Do not place in or drop into water or other liquid.
- Do not reach for a product that has fallen into water. Unplug immediately.
- Do not wash the main unit or electrical plug with water or detergent.
- Do not handle the electrical plug with wet hands.
- Do not put a hand or other staff over the outlet of air dryer or block the outlet of air dryer.
- Never disassemble, repair or modify this product.
- During installation, disassembly, repair and maintenance of the product, the power plug must be switched off and water supply be shut off.

### **WARNING – To reduce the risk of burns, electrocution, fire, or injury to persons.**

- Close supervision is necessary when this product is used by, on, or near children.
- Use this product only for its intended use as described in this manual. Do not use attachments not recommended by the manufacturer.
- Never operate this product if it has a damaged cord or plug, if it is not working properly, if it has been dropped or damaged, or dropped into water. Return the product to a service center for examination and repair.
- Keep the cord away from heated surfaces.
- Never use while sleeping or drowsy.
- Never drop or insert any object into any opening or hose.
- Do not use outdoors, operate around aerosol (spray) products or where oxygen is being administered.
- Connect this product to a properly grounded outlet only. See Grounding Instructions.
- Do not throw cigarettes and other burning stuff into toilet, otherwise it might cause fire.
- This product is electric appliance, so it must be placed far away from water. Please don't drench with liquid.
- Do not lay on side or upside the product during the electrical circuit.
- It is prohibited to use other electric appliances in the same socket.
- It is forbidden to use the power extension or unstable loose outlet.
- The old aging water supply hose can not be used, otherwise it might cause leakage, fire or electrical shock. Installation of the bidet seat should include specified components and new water supply hose.

## IMPORTANT SAFETY INSTRUCTIONS

**CAUTION** – Failure to follow the instruction may cause injury or property damage.

1. Do not install or use the product in wet places as steam room etc.
2. It is recommended to use water-proof electrical outlet which should be installed in the place where is not easily got wet.
3. This product should be used with 110V-120V,50/60Hz electrical current only,load current is at least 15A. Power plug must be equipped with ground fault circuit interrupter or ground fault electrical leakage protector or similar high sensitive, rapid type leakage switch (Rated sensitive current under 6mA).
4. When it thunders,it is strongly recommended to pull out the power plug.
5. Do not stand on ceramic toilet.
6. Ceramic toilet must install floor fixing bolt.
7. Do not stand on product unit,seat and cover.
8. Do not lean against the seat cover when using the product,to avoid damage.
9. This product is equipped with soft-closing seal cover.Heavy pressing or pushing may damage the soft-closing damper.
10. Do not use lacquer thinner,petrol,liquid medicine,detergent,insecticide,toilet cleanser and scrubbing brush to clean the product.
- 11.Exposure to direct sunlight is prohibited.
- 12.Only use tap water or potable water;otherwise it may cause chafing.
- 13.Do not connect water supply to heater outlet.Make sure inlet water temperature at 37.4~95° F.
- 14.When the room temperature is under zero degree,please dry up the water tank, to avoid freezing.
- 15.Raise rest room temperature to prevent the toilet from damage due to freezing.
- 16.When move the product from cold or wet environment into normal room temperature,wait for 2 hours until the condensation water is fully volatilized.Doing so can prevent the product from electrical short-circuit.
- 17.When not using the product over three(3) days,drain the water out of the container and pull the electrical plug from the wall outlet.
- 18.Stop using the product and shut off the power when product malfunctions,please contact the service people for professional service.

### GROUNDING INSTRUCTIONS

This product should be grounded. In the event of an electrical short circuit, grounding reduces the risk of electric shock by providing an escape wire for the electric current. This product is equipped with a cord having a grounding wire with a grounding plug. The plug must be plugged into an outlet that is properly installed and grounded.

**DANGER** – Improper use of the grounding plug can result in a risk of electric shock.

If repair or replacement of the cord or plug is necessary, do not connect the grounding wire to either flat blade terminal. The wire with insulation having an outer surface that is green with or without yellow stripes is the grounding wire.

This product is factory equipped with a specific electric cord and plug to permit connection to a proper electric circuit. Make sure that the product is connected to an outlet having the same configuration as the plug. No adapter should be used with this product. Do not modify the plug provided — if it will not fit the outlet, have the proper outlet installed by a qualified electrician. If the product must be reconnected for use on a different type of electric circuit, the reconnection should be made by qualified service personnel.

## ONE YEAR LIMITED WARRANTY

Swiss Madison® products are made with quality materials and excellent craftsmanship to provide our customers with beautiful, durable, long-lasting products. Should there be any defects in materials or craftsmanship under regular use that are discovered within the first year of installation, Swiss Madison® will provide replacement parts at no charge, or at its discretion, replace any product or part of the product that is deemed defective, under normal installation, use, service or maintenance. This warranty applies only to the original purchaser. Proof of purchase will be required in the instance of a claim.

Swiss Madison® recommends all installations of Swiss Madison® products to be conducted by a licensed, professional plumber or contractor. Swiss Madison® will not be held responsible for any damage or product failure due to improper installation, misuse, or failure to utilize a licensed professional for installation. Swiss Madison® is not responsible for any installation or removal costs.

### This One Year Limited Warranty Will Be Voided If:


- The installation recommendations were not followed by the installer
- The product has been moved from its initial place of installation
- The product has in any way been modified from its packaged state
- The product has been subjected to improper maintenance, abuse, misuse, excessive use of chemicals, accidents, or other damages, etc.

Swiss Madison® makes no implication that its products comply with any local building or plumbing codes. It is the consumer's responsibility and obligation to determine local code compliance prior to and during installation. This warranty extends only to the original purchaser and first consumer.

Swiss Madison® is not responsible for any special, incidental or consequential damages associated with the installation, replacement, return or use of the original purchaser's product. This includes, but is not limited to: freight costs, labor, travel time, lost profit, home damages and other contingent liabilities and costs (including, without limitation, costs associated with 'professionals' or 'experts', investigations, audits, analyses, attorneys and any other professional/hired services).

The Swiss Madison® warranty is a comprehensive and explicit limit of liability. All items not disclosed within the warranty are not addressable within the responsibility of Swiss Madison®. Certain states have variances regarding implied warranties; in those situations, we remain fully compliant.

**If you have any questions or concerns, please contact us directly at  
1-434-MADISON (623-4766)**

 **WARNING:** Contents of your order may contain sharp and possibly other harmful pieces and may cause hazard to children and adults. Swiss Madison® is not responsible in any way for personal damages.