

INSTALLATION INSTRUCTIONS

Swiss Madison
well made forever

The step-by-step guidelines in the installation instructions are a general reference for installing a Swiss Madison Sink. Should there be any discrepancies, Swiss Madison cannot be held liable. It is recommended to install all Swiss Madison products by hiring a licensed professional



1. Read the complete instruction manual before beginning installation.
2. Confirm that your model will fit in intended location and plumbing fixtures are located where legally required before beginning installation.
3. Not all drawings on this manual are drawn to scale. Please refer to the model chart.
4. Two people are recommended to install and move this product.

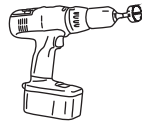
SUGGESTED TOOLS AND MATERIALS



Pencil



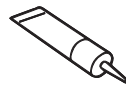
Safety Glasses



Drill



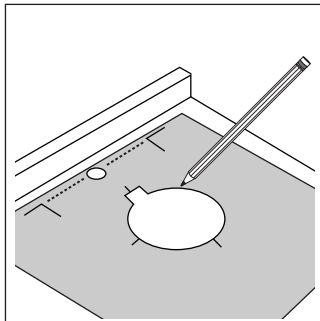
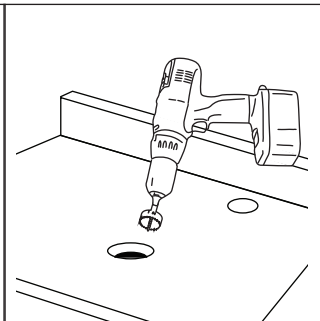
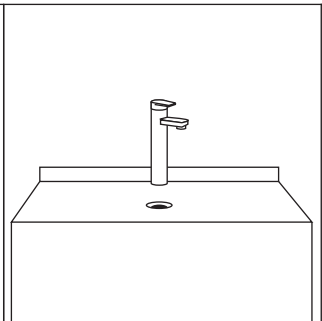
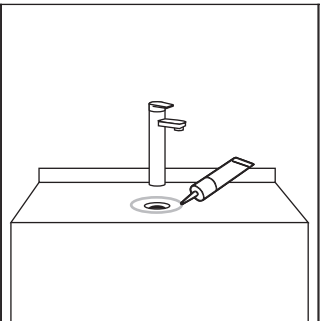
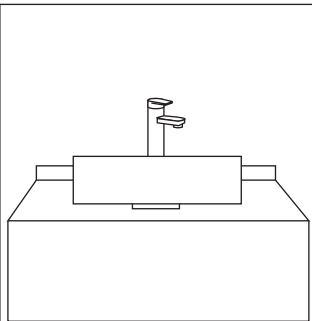
Tape Measure



Silicone Adhesive



Acetone

				
<p>1. Mark faucet and drain hole location.</p> <ul style="list-style-type: none">• Place sink in desired location on countertop and mark the drain hole and faucet hole centerline with a pencil. <p>NOTE: Make sure clearance is suitable for backsplash, faucet, and plumbing for the sink.</p>	<p>2. Drill countertop, cut the opening for the drain in the countertop.</p>	<p>3. Install faucet and it's components.</p>	<p>4. Check alignment of the sink to the opening in the countertop. Use a bead of clear silicone (or preferred adhesive) around the underside of the sink.</p> <ul style="list-style-type: none">• Carefully place sink on the countertop, align, and press firmly.• Allow sealant to set above 60 minutes.	<p>INSTALLERS TIP: Use acetone or rubbing alcohol to remove any excess sealant immediately after application.</p>

NOTE: Drawings may not exactly define contour of china.

Share your pictures for a feature!
using **#SwissMadison**

