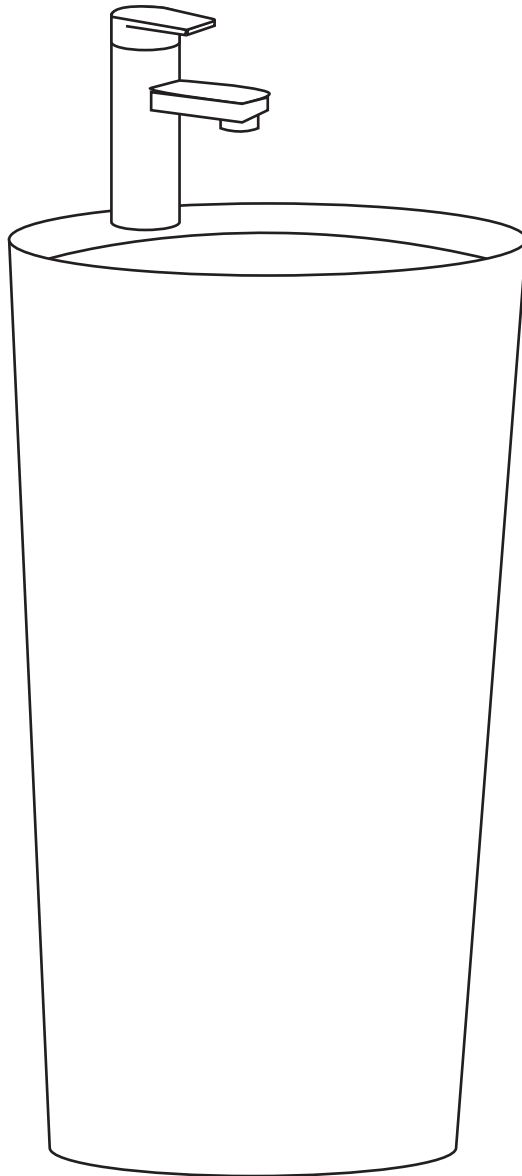


INSTALLATION INSTRUCTIONS

Swiss Madison[®]
well made forever

Freestanding Pedestal Sink



Share your pictures for a feature!
using **#SwissMadison**





Prior to Installation:

- Inspect sink to ensure no damages have occurred while in shipping
- Observe all plumbing and building codes in accordance with your state and local requirements
- Additional floor and wall preparations may be necessary to avoid damage to the product
- All dimensions are nominal! Be sure to measure your sink prior to installation.

General Recommendations: Read installation and maintenance instructions thoroughly before installing the sink. Be sure to use proper tools and always wear proper personal safety accessories for your protection.

If you have any questions or concerns please contact us:

1-434-623-4766
info@swissmadison.com

Thank you for your purchase

Thank you for purchasing a Swiss Madison Sink.

We appreciate your business and know you will enjoy your sink for many years to come.

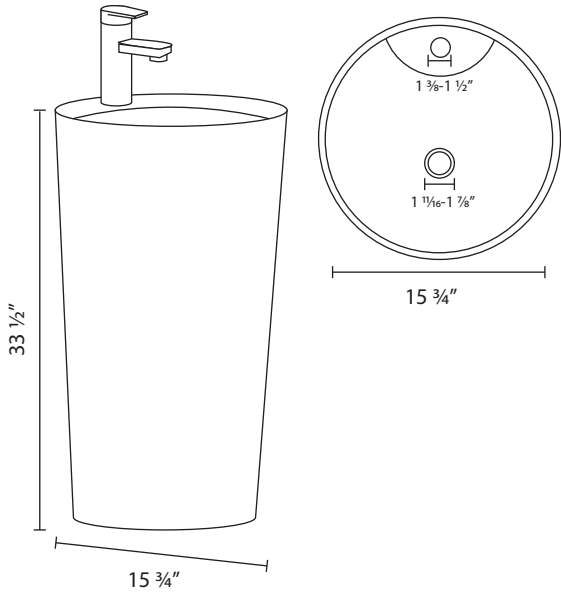
If you have any questions or require assistance we would be happy to help,
please contact us at 1-434-6234766 or info@swissmadison.com.

To learn more about our products, please visit:

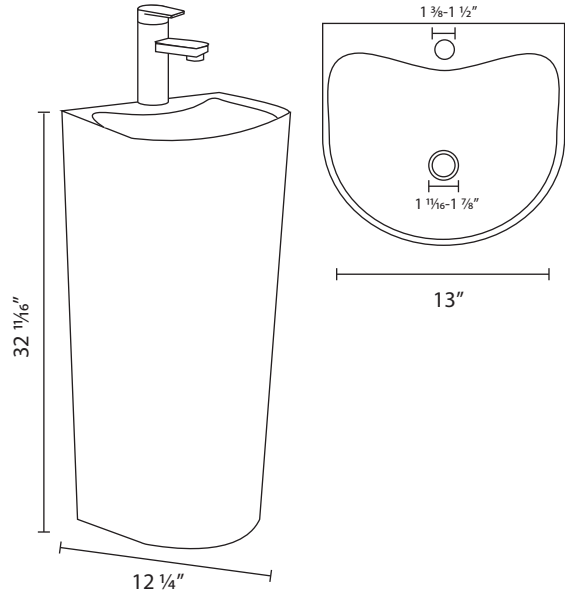
www.swissmadison.com

Sincerely,

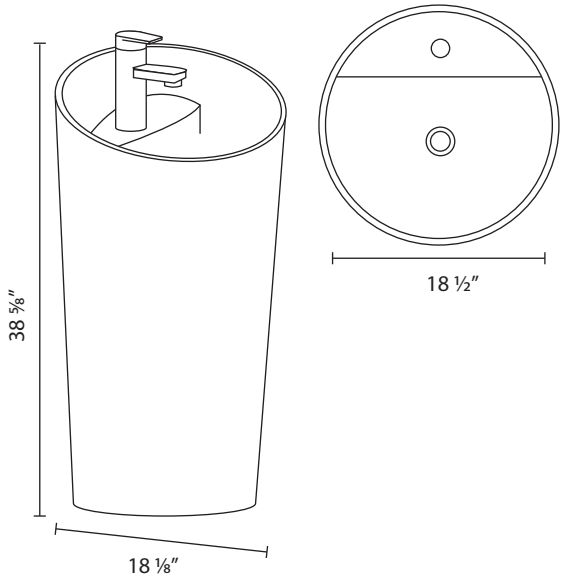
The Swiss Madison Team



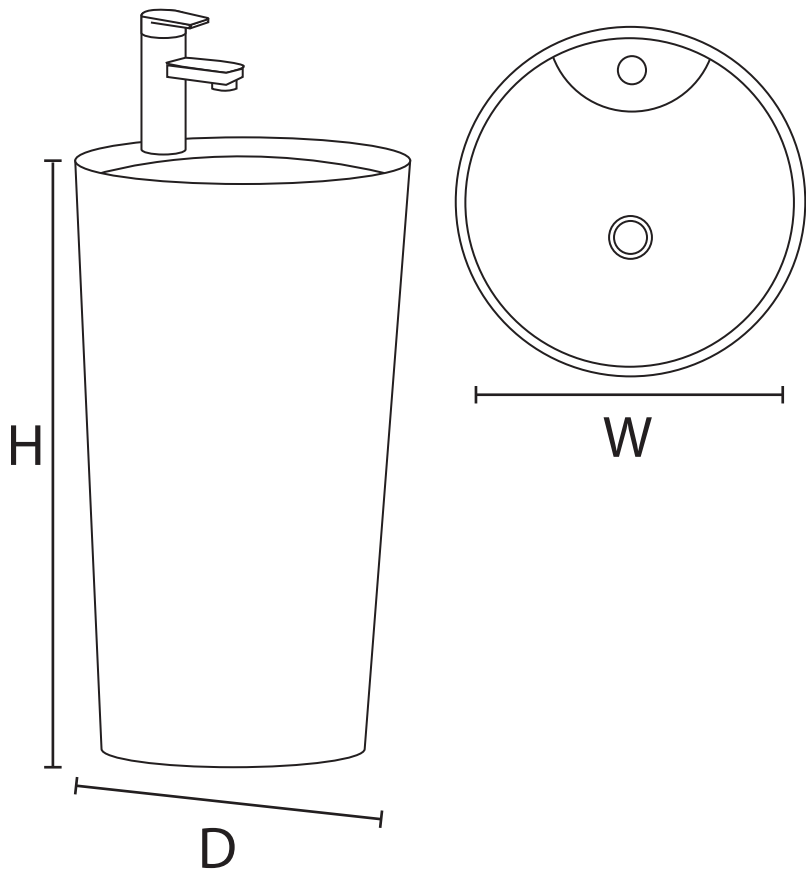
SM-PS307
33 1/2" x 15 3/4" x 15 3/4"



SM-PS308
32 11/16" x 13" x 12 1/4"



SM-PS310
38 5/8" x 18 1/2" x 18 1/8"



SKU	NAME	H x W x D
SM-PS307	Monaco	33 1/2" x 15 3/4" x 15 3/4"
SM-PS308	Sublime	32 1/16" x 13" x 12 1/4"
SM-PS310	St. Tropez	38 3/8" x 18 1/2" x 18 1/8"

SUGGESTED TOOLS AND MATERIALS



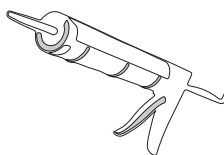
Safety Glasses



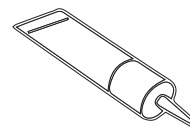
Pencil



Wrench



Caulk



Construction Adhesive

PARTS LIST

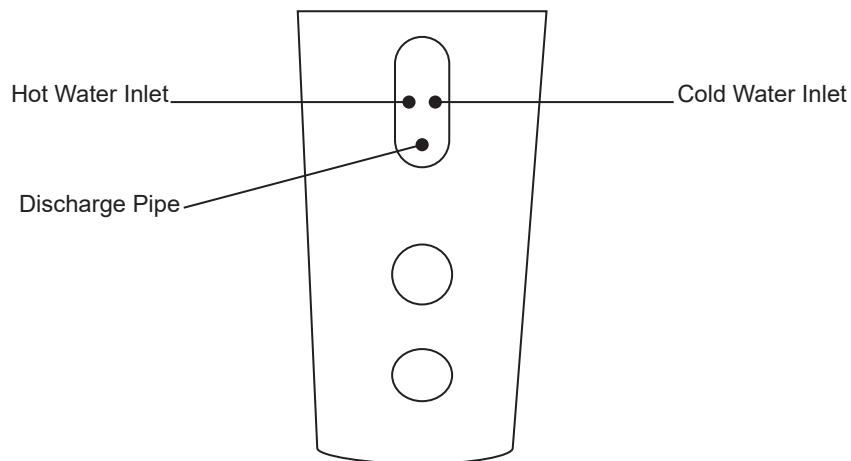
- Swiss Madison Sink
- Faucet (not included)

NOTE: Specialized tools may be necessary to install Swiss Madison Pedestal, plumbing not included.

The step-by-step guidelines in the installation instructions are a general reference for installing a Swiss Madison Sink. Should there be any discrepancies, Swiss Madison cannot be held liable. It is recommended to install all Swiss Madison products by hiring a licensed professional

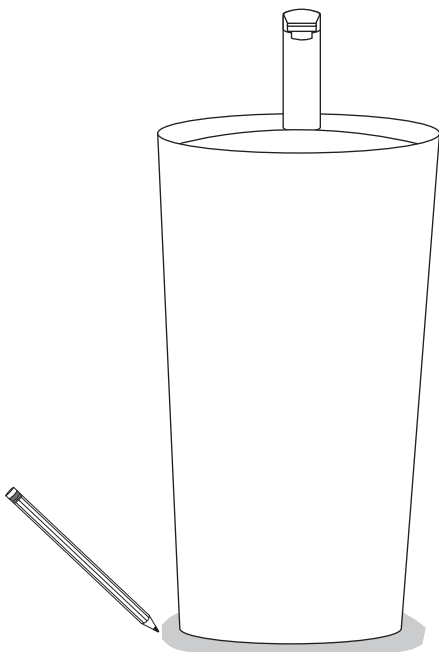


1. Read the complete instruction manual before beginning installation.
2. Confirm that your model will fit in intended location and plumbing fixtures are located where legally required before beginning installation.
3. Not all drawings on this manual are drawn to scale. Please refer to the model chart.
4. Two people are recommended to install and move this product.



1. Verify Sink Location

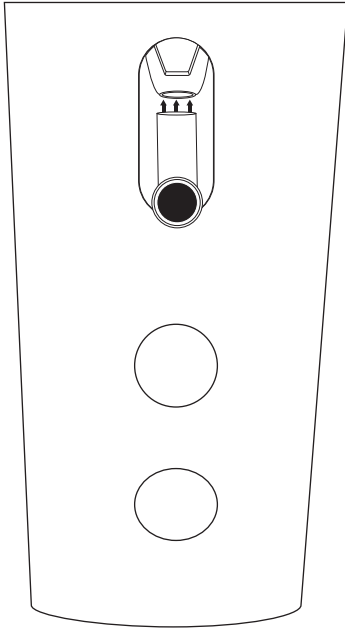
- Using a pencil mark the location where you want the sink to be onto the floor.



2. Connect Pipes

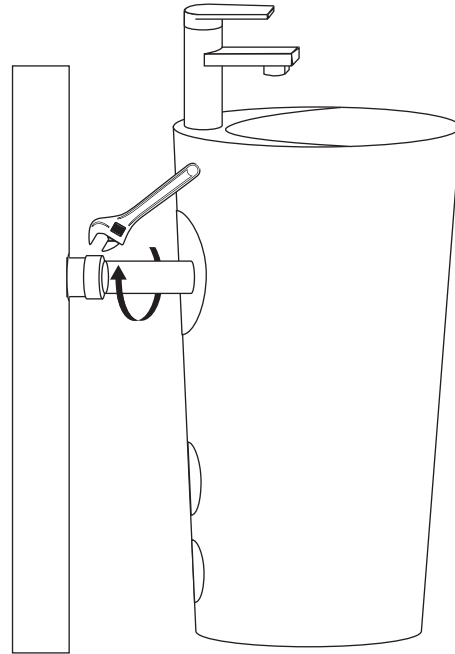
- Screw plumbing pipes into basin.

NOTE: Plumbing not included.



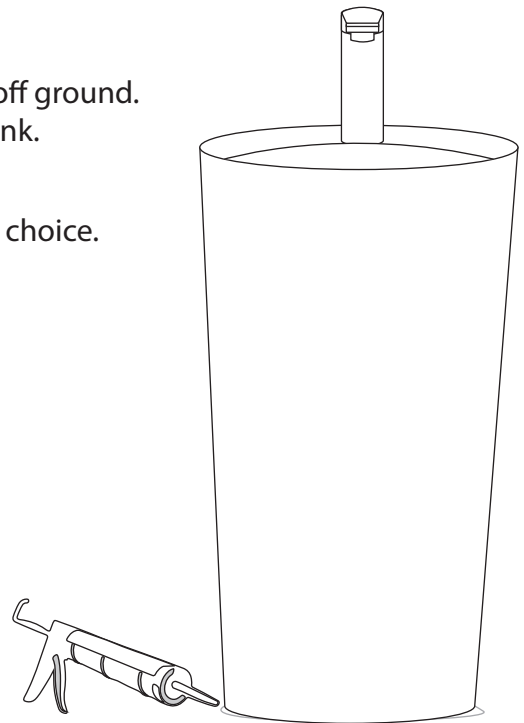
3. Connecting Plumbing

- Align pipes in basin to plumbing in wall.
- Tighten into place, with clockwise motion.
- At this stage we recommend installing the faucet of your choice. (Faucet not included)



4. Seal Sink- 2 People Required

- Person 1- Slightly tilts sink back, so basin just barely lifts off ground.
Person 2- Apply construction adhesive underneath the sink.
- Gently lower basin back to standing position.
- Caulk the sink to the floor with silicone or sealant of your choice.



DO NOT USE SINK UNTIL 24 HOURS AFTER INSTALLING



1-434-MADISON

(623-4766)

19 Stulds Rd., Dayton, NJ 08810

www.swissmadison.com

ONE YEAR LIMITED WARRANTY

Swiss Madison® products are made with quality materials and excellent craftsmanship to provide the customers a long lasting product. In the case of any defects in materials or craftsmanship under regular use were inspected in the first year of purchase, Swiss Madison® will provide replacement parts at no charge, or at its option, replace any product or part of the product that is deemed defective, under normal installation, use, service and maintenance. This warranty applies only to the original purchaser. Proof of purchase will be required in the case of a claim.

Swiss Madison® recommends the installations to be made by a licensed, professional plumber. Swiss Madison® will not be held responsible for any damage or product failure due to improper installation, misuse, or failure to use a licensed professional. Swiss Madison® is not responsible for any removal or installation cost.

This One Year Limited Warranty will be voided if:

- The installation recommendations were not followed.
- The product has been moved from it's initial place of installation.
- The product has been modified.
- The product has been subjected to improper maintenance, abuse, misuse, excessive use of chemicals, accident or other damages.

Swiss Madison® makes no implication that products comply with any or all local building or plumbing codes. It is the consumer's responsibility to determine local code compliance. This warranty extends to the original purchaser and first consumer.

Swiss Madison® is not liable for any incidental, consequential or special damages associated with the return, replacement, installation or use of your product. This includes freight costs, labor, travel time, lost profit, home damages and other contingent liabilities and costs (including, without limitation, costs associated with experts, investigations, analyses, attorneys and other professionals and services).

The Swiss Madison® warranty is a comprehensive and explicit limit of liability, and all items outside of it are not addressable by or the responsibility of Swiss Madison®. Certain states have variances regarding implied warranties and in those situations we remain fully compliant.

In the case of any questions or a claim contact us directly at 1-434-MADISON (623-4766).

WARNING: Content may contain sharp and other possibly harmful pieces and may cause hazard to children and adults, Swiss Madison® is not responsible in any way for personal damage.