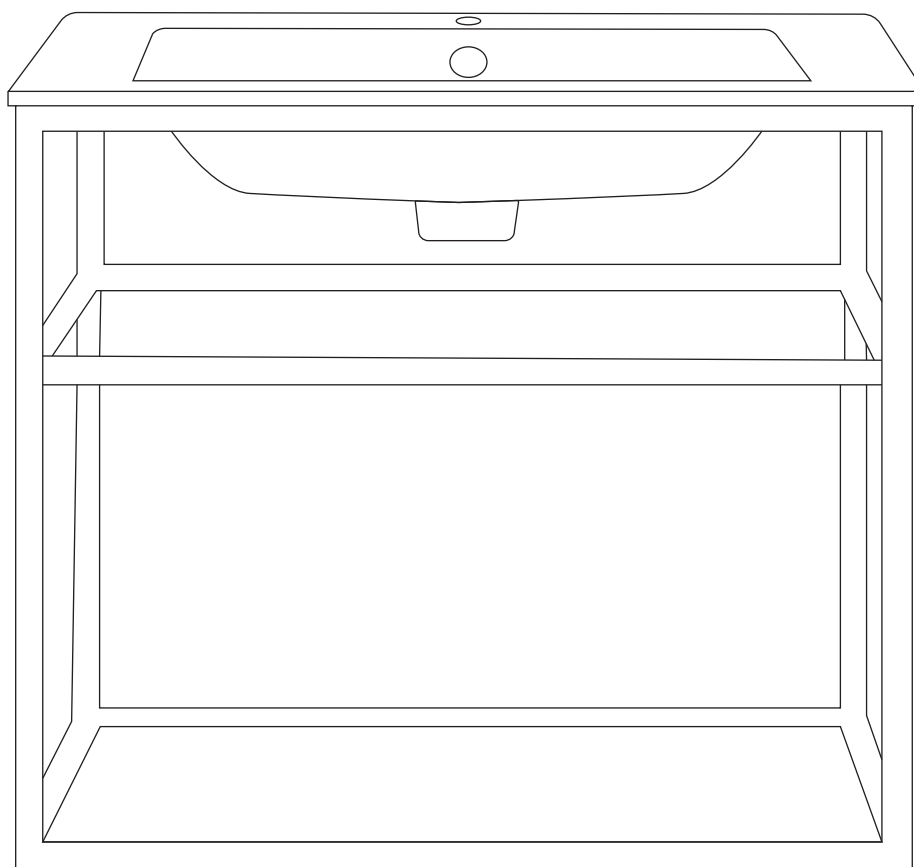


INSTALLATION INSTRUCTIONS

Swiss Madison[®]
well made forever

Pierre Vanity



Share your pictures for a feature
using **#SwissMadison**



Thank you for your purchase!

Thank you for purchasing a Swiss Madison Vanity.

We appreciate your business and know you will enjoy your product for many years to come.

If you have any questions or require assistance we would be happy to help,
please contact us at 1-434-6234766 or info@swissmadison.com.

To learn more about our products, please visit:

www.swissmadison.com

Sincerely,

The Swiss Madison Team



Prior to Installation:

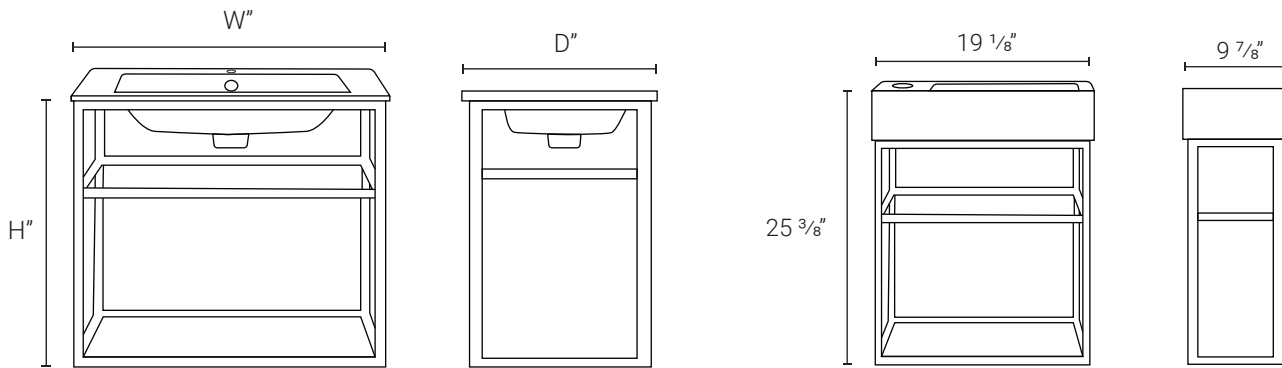
- Inspect vanity to ensure no damages have occurred during shipping.
- Observe all plumbing and building codes in accordance with your state and local requirements.
- Additional floor and wall preparations may be necessary to avoid damage to the product.
- Height of console frame is NOT adjustable.
- All dimensions are nominal! Be sure to measure your vanity prior to installation.

General Recommendations: Read installation and maintenance instructions thoroughly before installing.
Be sure to use proper tools and always wear proper personal safety accessories for your protection.

If you have any questions or concerns please contact us:

1-434-623-4766

info@swissmadison.com



Collection
D" x W" x H"

Model - Frame Color

Pierre

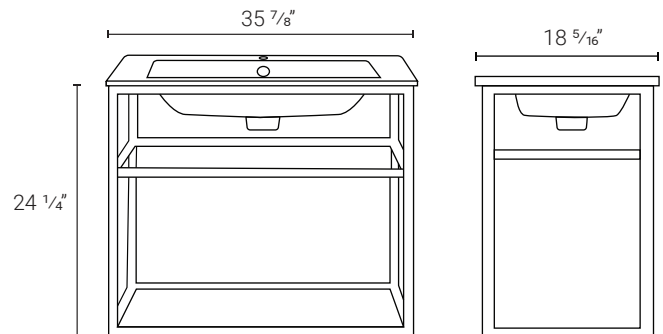
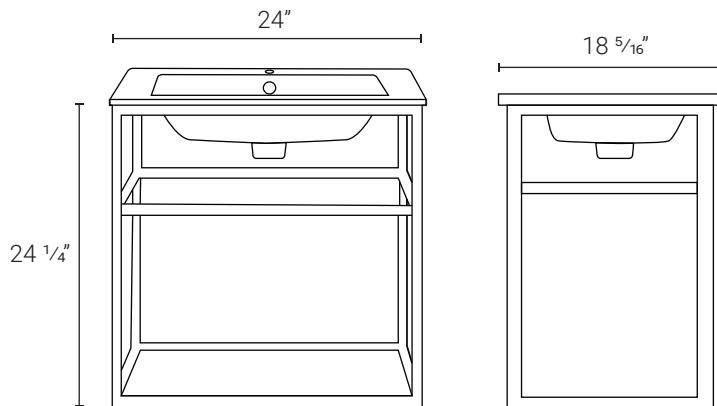
9 7/8" x 19 1/8" x 25 3/8"

*Matching Drain: SM-PD23

SM-BV551 - Matte Black Frame

SM-BV551C - Chrome Frame

SM-BV551G - Gold Frame



Pierre

18 5/16" x 24" x 24 1/4"

*Matching Drain: SM-PD23

SM-BV552 - Matte Black Frame

SM-BV552C - Chrome Frame

SM-BV552G - Gold Frame

Pierre

18 5/16" x 35 7/8" x 24 1/4"

*Matching Drain: SM-PD23

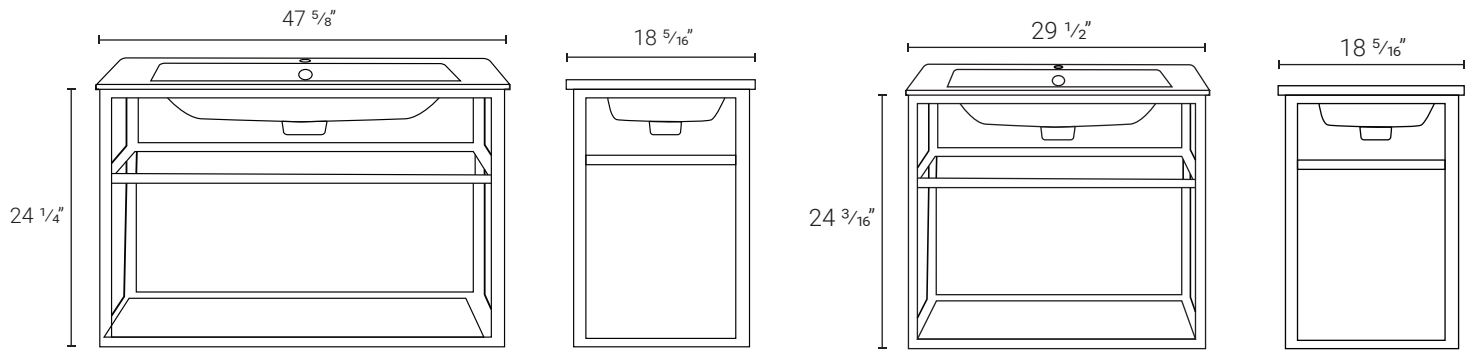
SM-BV553 - Matte Black Frame

SM-BV553C - Chrome Frame

SM-BV553G - Gold Frame

*Compatible drains sold separately - multiple color options available.

NOTE: Pictures may not define contour of china and components.



Pierre

18 5/16" x 47 5/8" x 24 1/4"
 *Matching Drain: SM-PD23

SM-BV554 - Matte Black Frame
 SM-BV554C - Chrome Frame
 SM-BV554G - Gold Frame

Pierre

18 5/16" x 29 1/2" x 24 3/16"
 *Matching Drain: SM-PD23

SM-BV556MB - Matte Black Frame
 SM-BV556C - Chrome Frame
 SM-BV556G - Gold Frame

*Compatible drains sold separately - multiple color options available.
NOTE: Drawings may not exactly define contour of china.

The step-by-step guidelines in the installation instructions are a general reference for installing a Swiss Madison Vanity. Should there be any discrepancies, Swiss Madison cannot be held liable. It is recommended to install all Swiss Madison products by hiring a licensed professional

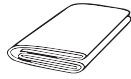


1. Read the complete instruction manual before beginning installation.
2. Confirm that your model will fit in intended location and plumbing fixtures are located where legally required before beginning installation.
3. Not all drawings on this manual are drawn to scale. Please refer to the model chart.
4. Two people are recommended to install and move this product.
5. Floor must be level PRIOR to installation.

SUGGESTED TOOLS AND MATERIALS



Safety Glasses



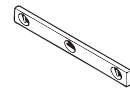
Drop Cloth



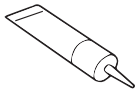
Gloves



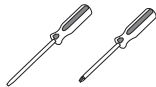
Silicone



Level



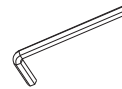
Adhesive



Screw Drivers



Pencil



Allen Wrench



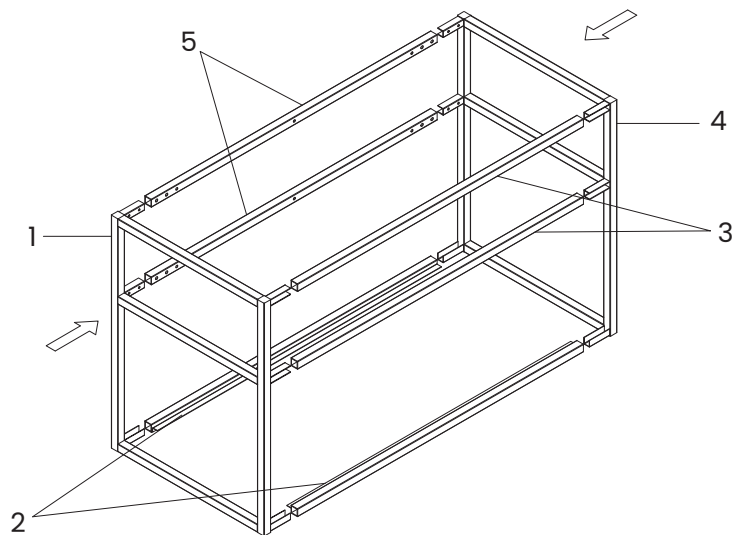
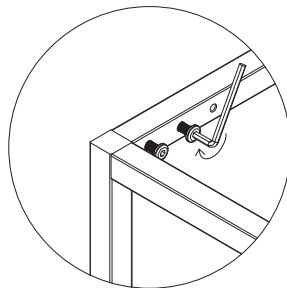
Wall Anchors (not included)

PARTS LIST

- Swiss Madison Sink
- Console Components
- Faucet (not included)
- Drain (not included)

1. Assemble Vanity Base

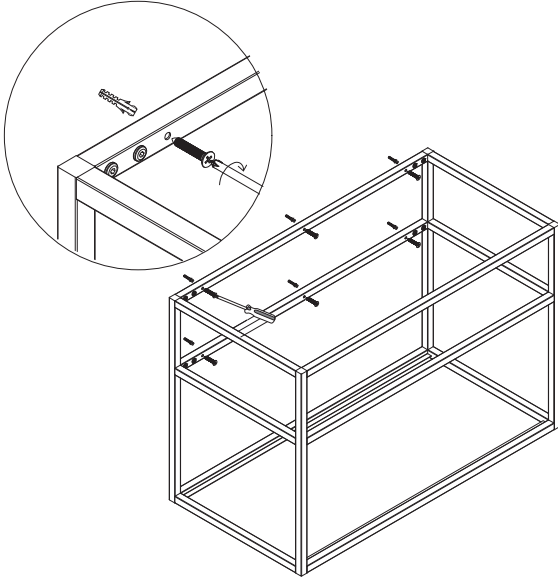
- Using the provided hardware, assemble the vanity base as illustrated below.



NOTE: Drawings may not exactly define contour of china.

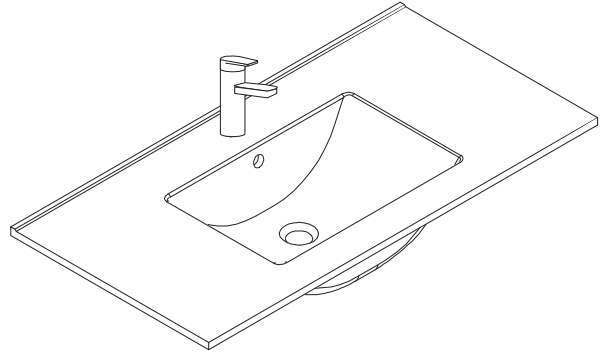
2. Install Vanity Base

- Secure vanity base to the wall in your desired location.
- NOTE:** Use wall anchors along with included hardware.



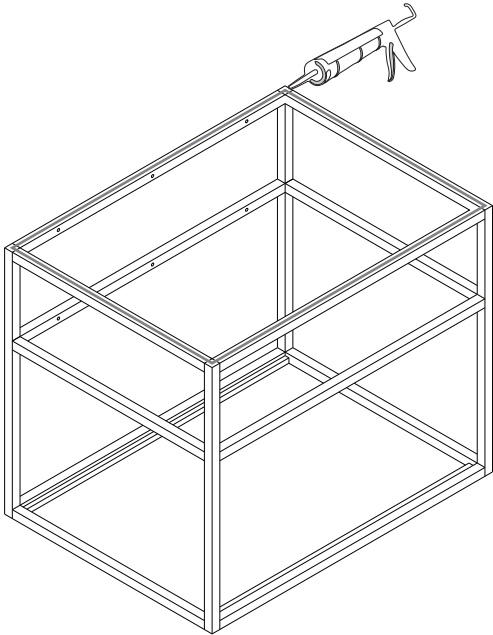
3. Install Faucet and Drain

- Following manufacturer's instructions, install drain and faucet onto vanity top.



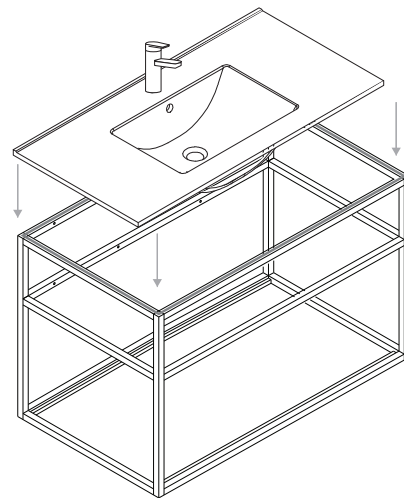
4. Apply Adhesive

- Using your chosen adhesive, apply a bead of silicone around the rim of the console base.



5. Secure Sink

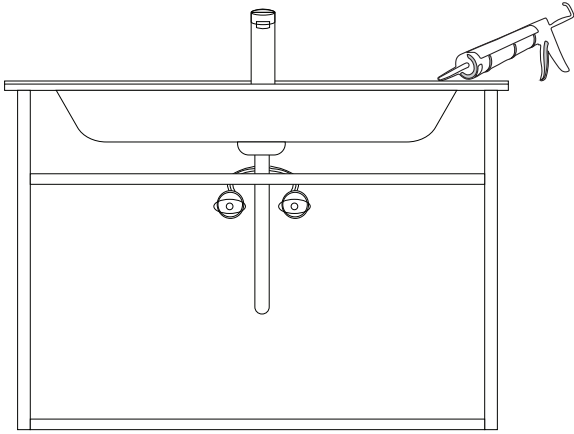
- Carefully lower sink into place so that it is resting on the vanity base.
- Press sink firmly into place and wipe away excess sealant with a damp cloth.
- Allow for adhesive to cure for 24 hours.
- NOTE:** Curing time may differ depending on which adhesive you use. Be sure to check the instructions on your adhesive prior to use.



NOTE: Drawings may not exactly define contour of china.

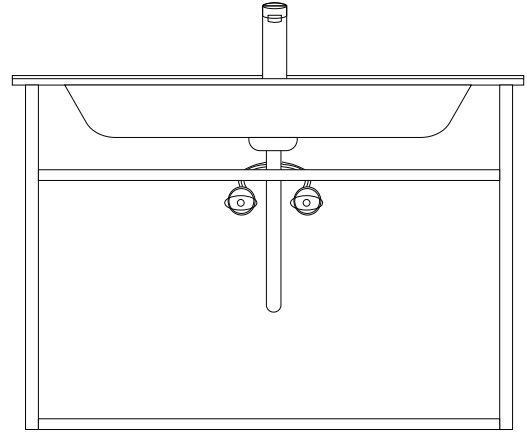
6. Seal Sink

- Apply a bead of caulk along the back edge of the sink against the wall.
- Wipe away any excess.



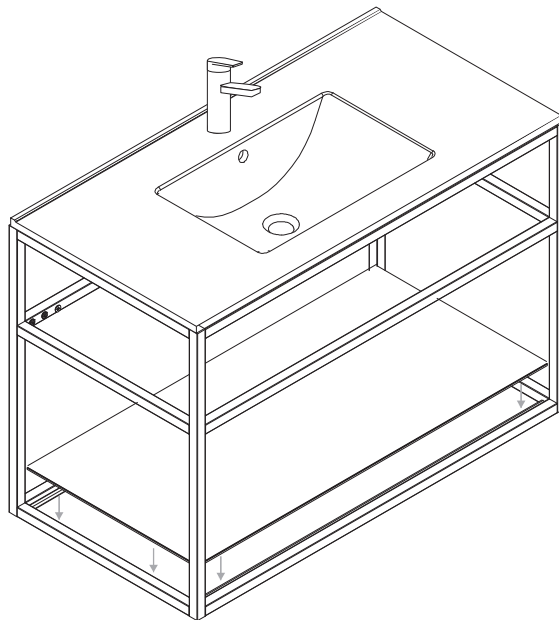
7. Install Plumbing Fixtures

- Connect drain trap to drain & water supply connections to the faucet according to manufacturer's instruction.
- Run water and check for leaks.



8. Install Glass

- Place glass inside of console so it rests on the bottom of the base.
- OPTIONAL:** Use your desired adhesive to permanently set glass into place.



NOTE: Drawings may not exactly define contour of china.

ONE YEAR LIMITED WARRANTY

Swiss Madison® products are made with quality materials and excellent craftsmanship to provide our customers with beautiful, durable, long-lasting products. Should there be any defects in materials or craftsmanship under regular use that are discovered within the first year of installation, Swiss Madison® will provide replacement parts at no charge, or at its discretion, replace any product or part of the product that is deemed defective, under normal installation, use, service or maintenance. This warranty applies only to the original purchaser. Proof of purchase will be required in the instance of a claim.

Swiss Madison® recommends all installations of Swiss Madison® products to be conducted by a licensed, professional plumber or contractor. Swiss Madison® will not be held responsible for any damage or product failure due to improper installation, misuse, or failure to utilize a licensed professional for installation. Swiss Madison® is not responsible for any installation or removal costs.

This One Year Limited Warranty Will Be Voided If:

- The installation recommendations were not followed by the installer
- The product has been moved from its initial place of installation
- The product has in any way been modified from its packaged state
- The product has been subjected to improper maintenance, abuse, misuse, excessive use of chemicals, accidents, or other damages, etc.

Swiss Madison® makes no implication that its products comply with any local building or plumbing codes. It is the consumer's responsibility and obligation to determine local code compliance prior to and during installation. This warranty extends only to the original purchaser and first consumer.

Swiss Madison® is not responsible for any special, incidental or consequential damages associated with the installation, replacement, return or use of the original purchaser's product. This includes, but is not limited to: freight costs, labor, travel time, lost profit, home damages and other contingent liabilities and costs (including, without limitation, costs associated with 'professionals' or 'experts', investigations, audits, analyses, attorneys and any other professional/hired services).

The Swiss Madison® warranty is a comprehensive and explicit limit of liability. All items not disclosed within the warranty are not addressable within the responsibility of Swiss Madison®. Certain states have variances regarding implied warranties; in those situations, we remain fully compliant.

**If you have any questions or concerns, please contact us directly at
1-434-MADISON (623-4766)**

⚠ WARNING: Contents of your order may contain sharp and possibly other harmful pieces and may cause hazard to children and adults. Swiss Madison® is not responsible in any way for personal damages.