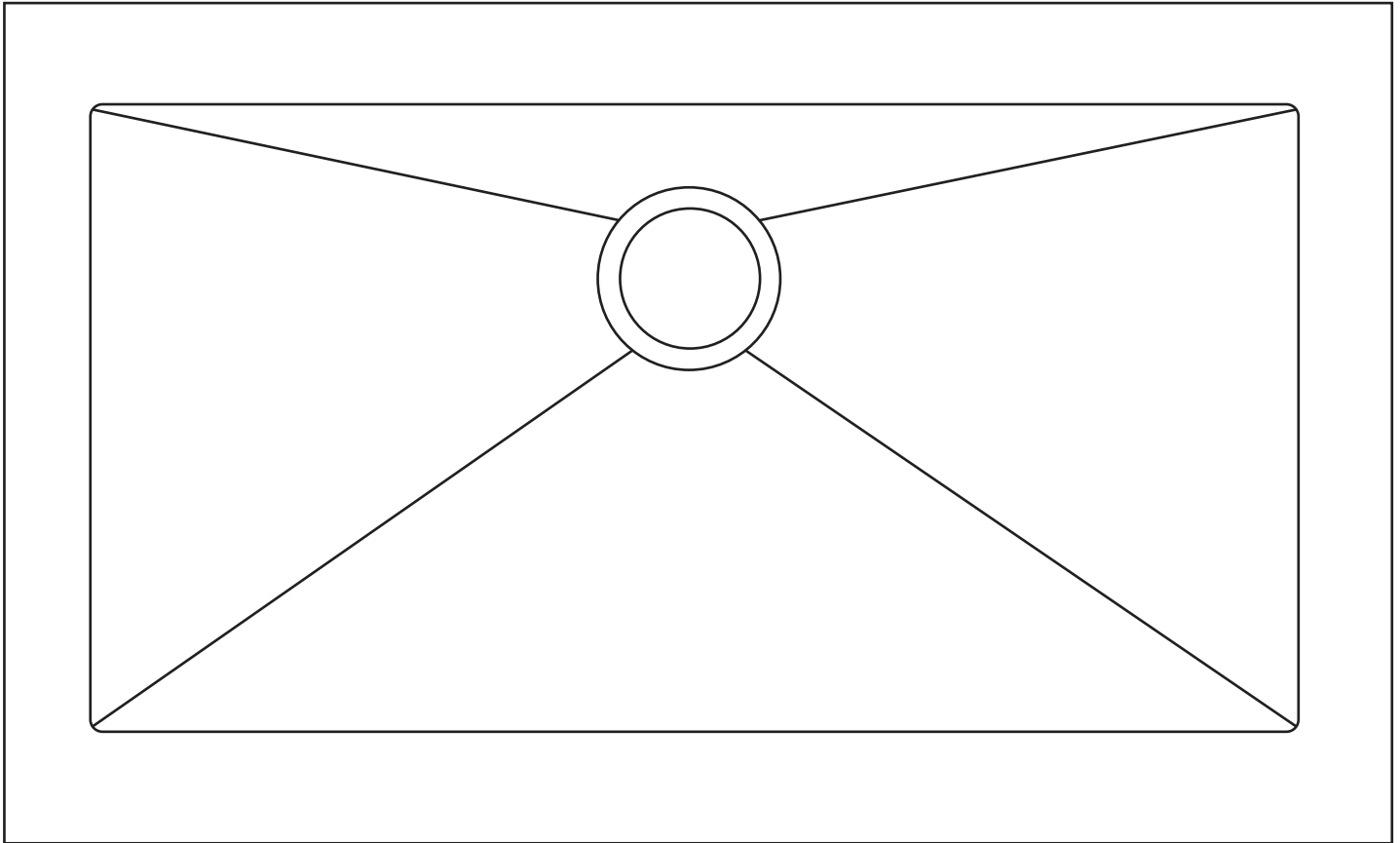


INSTALLATION INSTRUCTIONS

Swiss Madison
well made forever

Stainless Steel Undermount Kitchen Sink



Share your pictures for a feature!
using **#SwissMadison**





Prior to Installation:

- Inspect sink to ensure no damages have occurred while in shipping
- Use the cut-out template provided by Swiss Madison
- Observe all plumbing and building codes in accordance with your state and local requirements
- Additional floor and wall preparations may be necessary to avoid damage to the product
- Installation with laminate countertop not recommended
- We recommend professional countertop installers. Customer is responsible for damage to countertop and/or sink during installation.

General Recommendations: Read installation and maintenance instructions thoroughly before installing the sink. Be sure to use proper tools and always wear proper personal safety accessories for your protection.

If you have any questions or concerns please contact us:

1-434-623-4766
info@swissmadison.com

Thank you for your purchase

Thank you for purchasing a Swiss Madison Kitchen Sink.

We appreciate your business and know you will enjoy your sink for many years to come.

If you have any questions or require assistance we would be happy to help,
please contact us at 1-434-6234766 or info@swissmadison.com.

To learn more about our products, please visit:

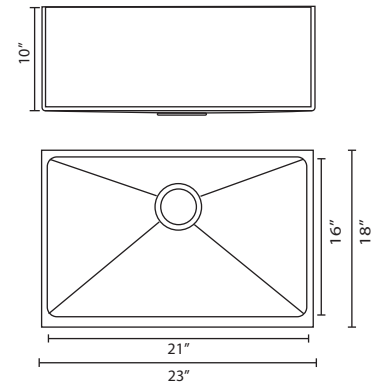
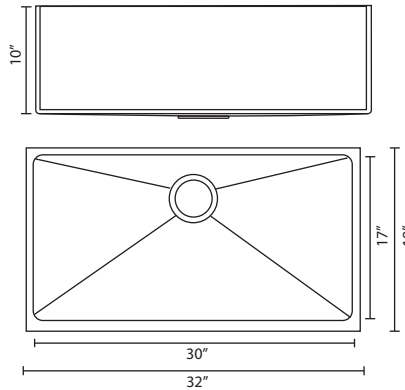
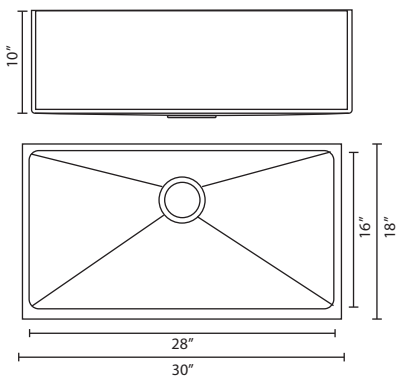
www.swissmadison.com

Sincerely,

The Swiss Madison Team

UNDERMOUNT SINK

MODELS



SM-KU700

30" x 18" x 10"

Min Cabinet Size: 34"

Matching Grid: SM-KU700-G

SM-KU701

32" x 19" x 10"

Min Cabinet Size: 36"

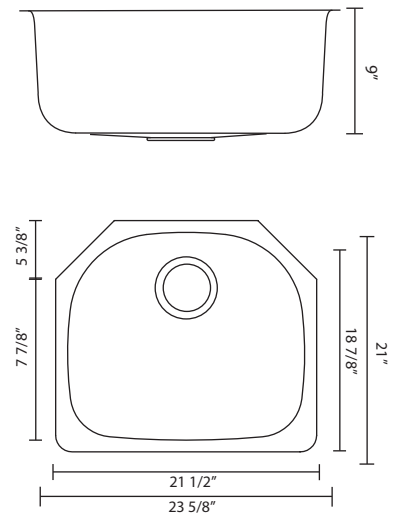
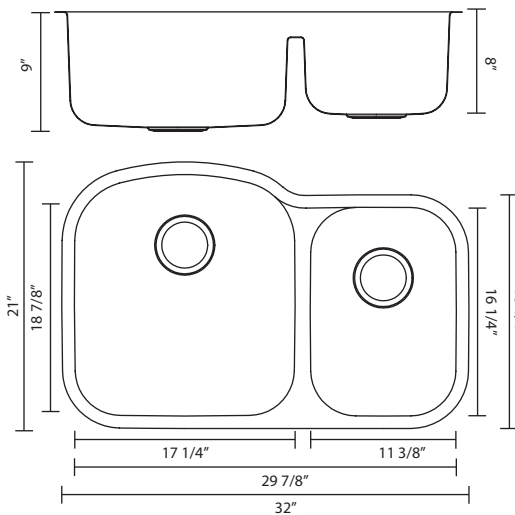
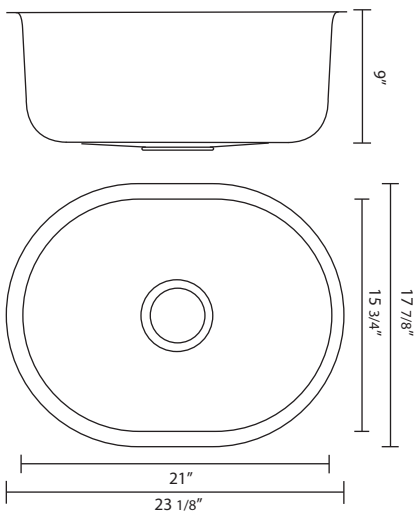
Matching Grid: SM-KU701-G

SM-KU702

23" x 18" x 10"

Min Cabinet Size: 27"

Matching Grid: SM-KU702-G



SM-KU703

23" x 18" x 9"

Min Cabinet Size: 27"

Matching Grid: SM-KU703-G

SM-KU704

32" x 21" x 9"

Min Cabinet Size: 36"

Matching Grid: SM-KU704-G

SM-KU705

23 31/50" x 21" x 9"

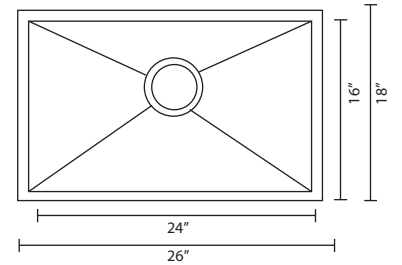
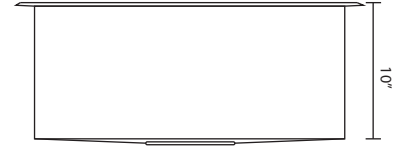
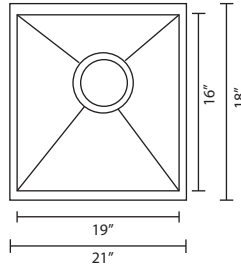
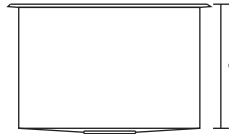
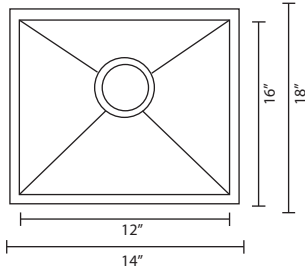
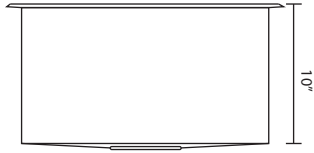
Min Cabinet Size: 28"

Matching Grid: SM-KU705-G

***Matching grids and drains are not included, please contact us if you wish to purchase one**

UNDERMOUNT SINK

MODELS



SM-KU706

14" x 18" x 10"

Min Cabinet Size: 18"

Matching Grid: SM-KU706-G

SM-KU707

21" x 18" x 8"

Min Cabinet Size: 25"

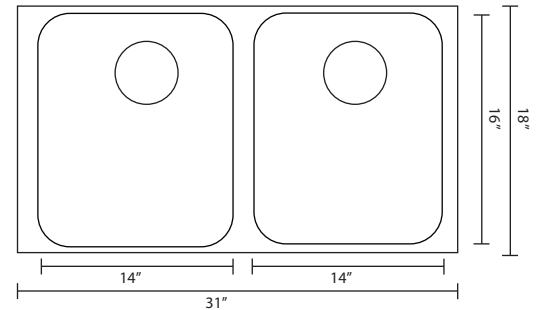
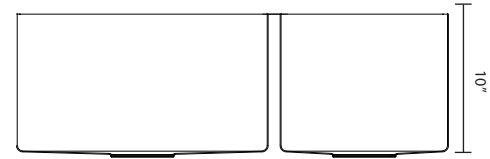
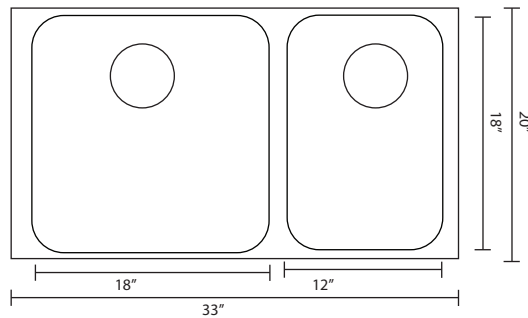
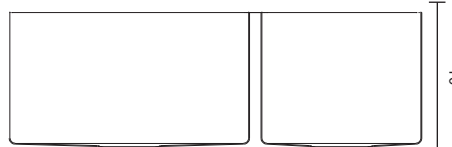
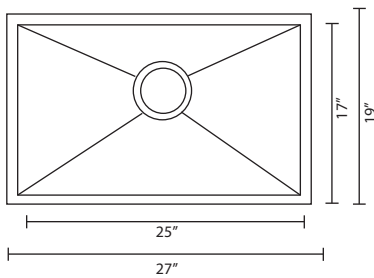
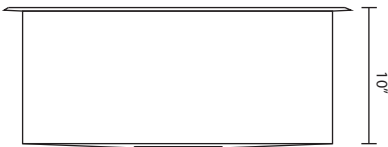
Matching Grid: SM-KU707-G

SM-KU708

26" x 18" x 8"

Min Cabinet Size: 30"

Matching Grid: SM-KU708-G



SM-KU709

27" x 19" x 10"

Min Cabinet Size: 32"

Matching Grid: SM-KU709-G

SM-KU725

33" x 20" x 10"

Min Cabinet Size: 32"

Matching Grid: SM-KU725-G

SM-KU726

31" x 18" x 10"

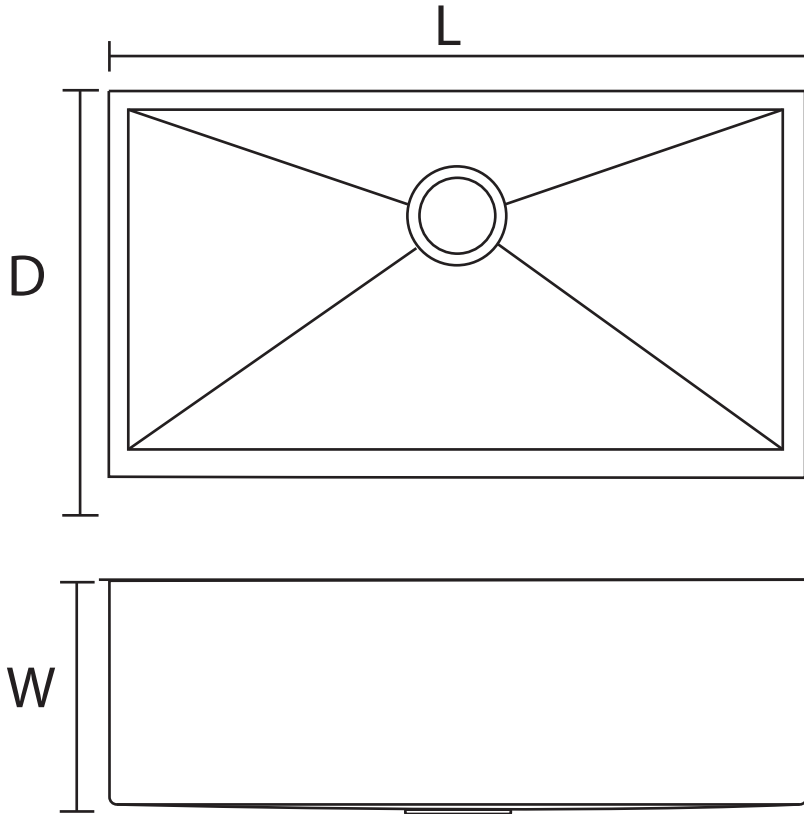
Min Cabinet Size: 32"

Matching Grid: SM-KU726-G

*Matching grids and drains are not included, please contact us if you wish to purchase one

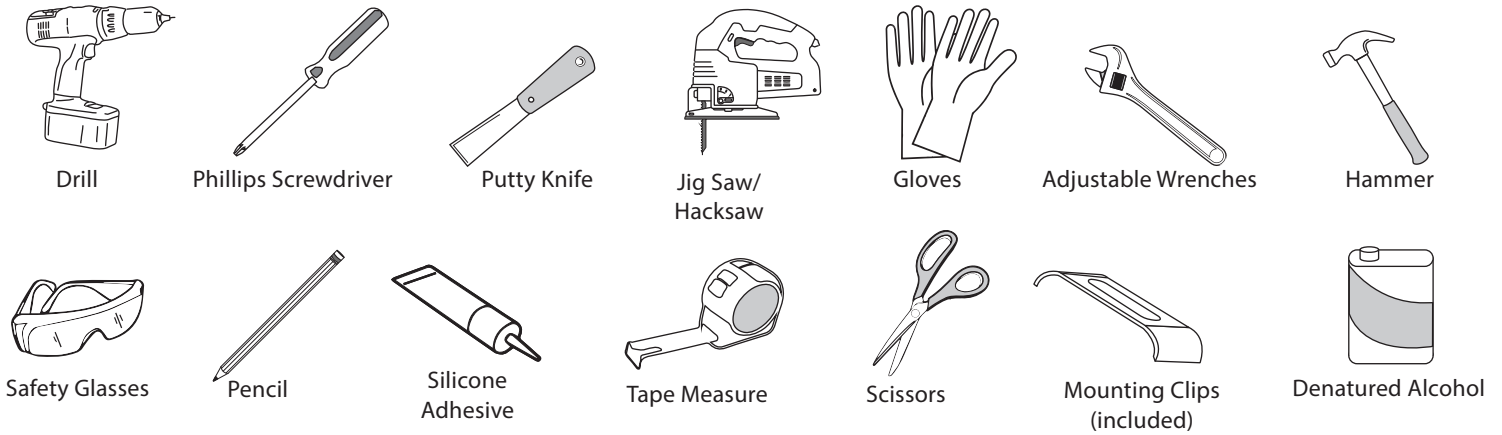
UNDERMOUNT SINK

INSTALLATION INSTRUCTIONS



SKU	NAME	BASIN TYPE
SM-KU700	Rivage 30" x 18"	Single
SM-KU701	Rivage 32" x 19"	Single
SM-KU702	Rivage 23" x 18"	Single
SM-KU703	Swiss Madison 23" x 18"	Single
SM-KU704	Swiss Madison 33" x 22"	Dual
SM-KU705	Swiss Madison 23" x 21"	Single
SM-KU706	Plasir 14" x 18"	Single
SM-KU707	Plasir 21" x 18"	Single
SM-KU708	Plasir 26" x 18"	Single
SM-KU709	Plasir 27" x 19"	Single
SM-KU725	Rivage 33" x 20"	Dual
SM-KU726	Rivage 31" x 18"	Dual

SUGGESTED TOOLS AND MATERIALS



PARTS LIST

- Swiss Madison Sink
- Cut-out Template
- Mounting Hardware
- Stainless steel sink grid (not included)

NOTE: Specialized tools may be necessary to install Swiss Madison Stainless steel Undermount sinks with countertop materials other than wood, marble, or granite.

The step-by-step guidelines in the installation instructions are a general reference for installing a Swiss Madison Sink. Should there be any discrepancies, Swiss Madison cannot be held liable. It is recommended to install all Swiss Madison products by hiring a licensed professional

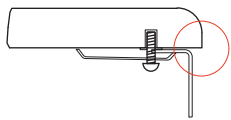


1. Read the complete instruction manual before beginning installation.
2. Confirm that your model will fit in intended location and plumbing fixtures are located where legally required before beginning installation.
3. These installation instructions are for solid surface, composite material countertops.
4. Not all drawings on this manual are drawn to scale. Please refer to the model chart.
5. Two people are recommended to install and move this product.

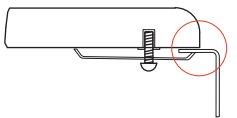


1. Determine Reveal Type

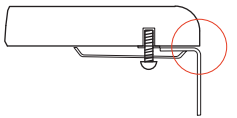
- Using scissors to cut along the line of the paper template for your desired reveal type.



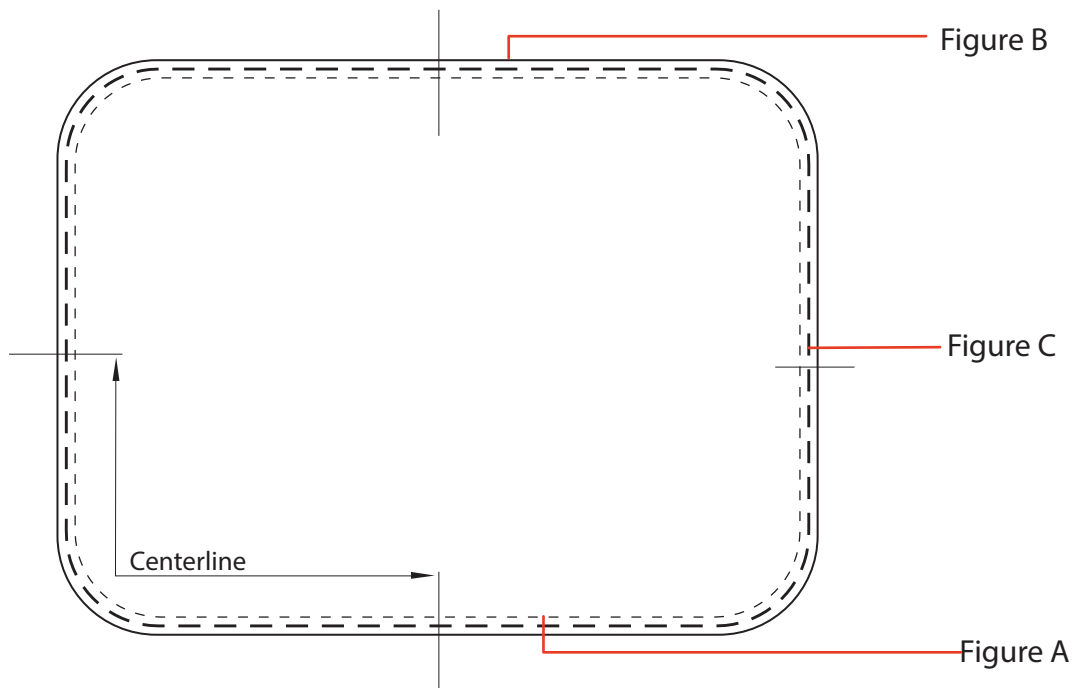
Negative: Counter edge extends past sink rim approximately 1/4" (Figure A)



Positive: Sink rim is exposed approximately 1/4" from edge of countertop (Figure B)



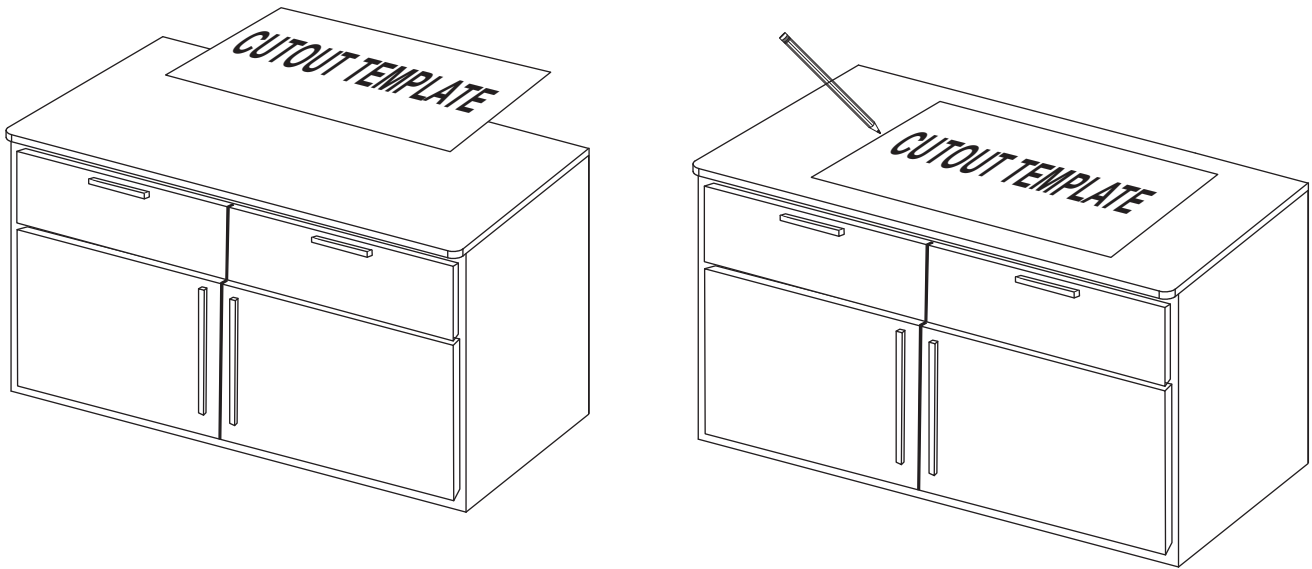
Flush: Sink edge is flush with countertop opening (Figure C)



2. Position and Trace Template

- Check the cut-out template against the actual sink to ensure a proper sized cut-out.
- Place the cut-out template in the desired location on the countertop.
- Trace the template onto the countertop.

Note: Make sure clearance is suitable for back splash, faucet, and plumbing for the sink.

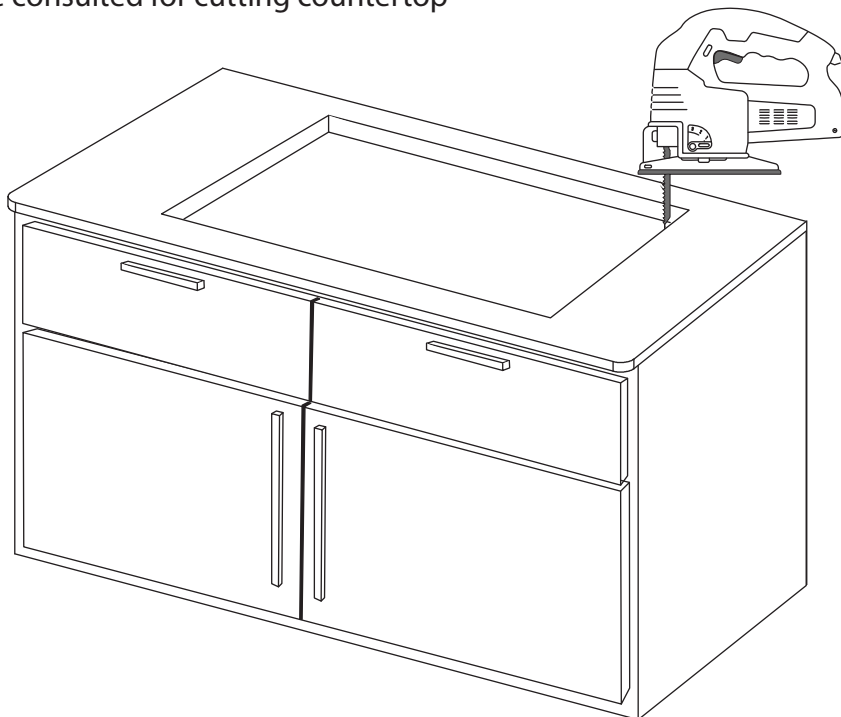


3. Cut Countertop

- Cut an opening in the countertop by carefully following the traced line from the template.

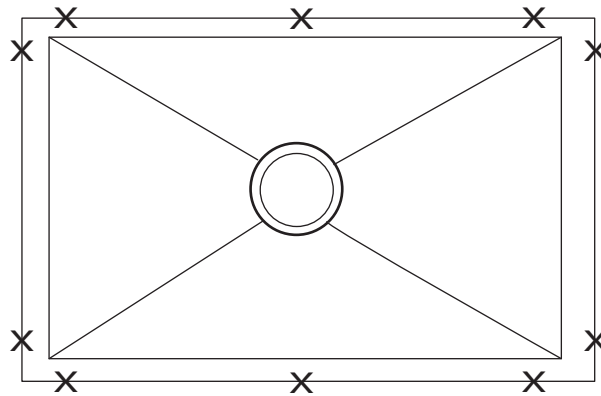
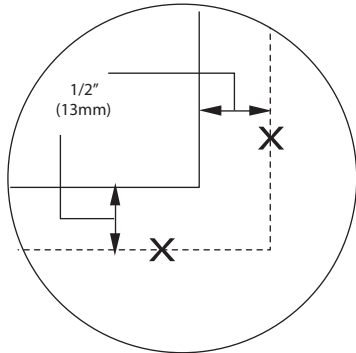
Notes:

- Please use the appropriate saw that best fits your countertop material.
- Professional should be consulted for cutting countertop

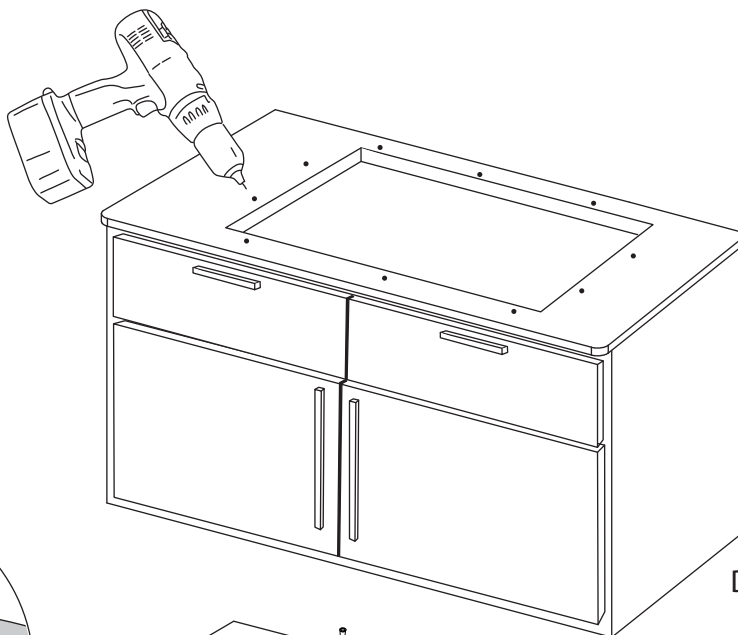


4. Install Mounting Brackets

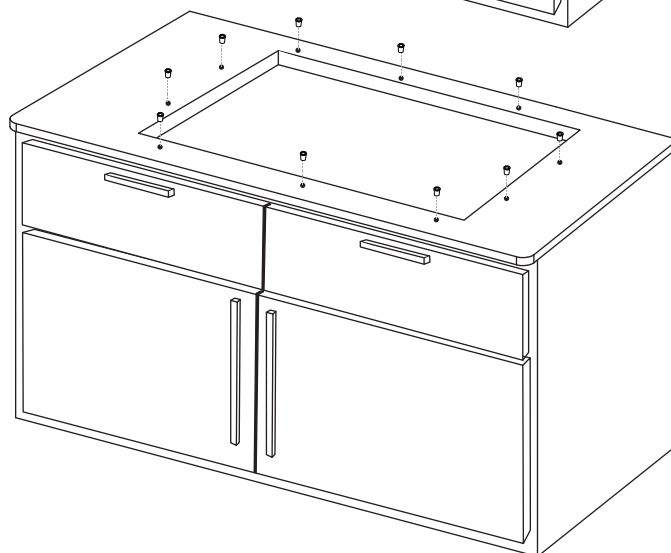
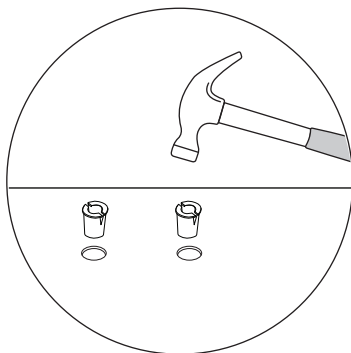
- Turn countertop over and align sink with countertop. Decide location for mounting brackets.
- Mounting holes should be drilled 1/2" from the edge of the sink.
- Install anchors into drilled holes and lightly tap with a hammer until flush with countertop.
- It is recommended to install faucet according to the manufacturers installation instructions at this point.



Mark holes



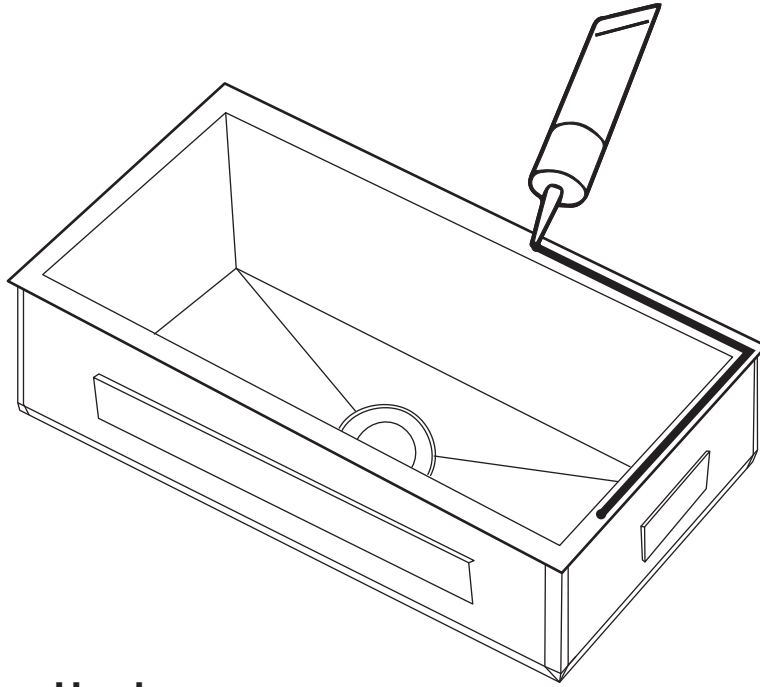
Drill holes



Install anchors

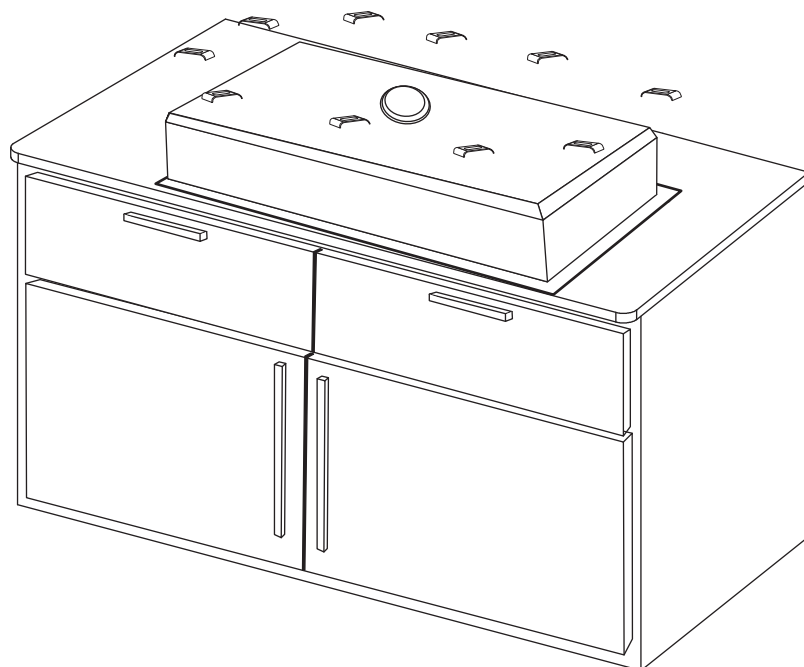
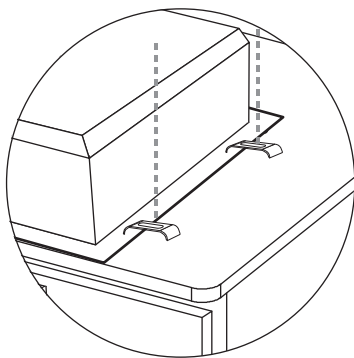
5. Secure Sink to Countertop

- Clean underside of the countertop and around cut-out area making sure area is smooth and free of defects.
- Apply a bead of sealant to the rim of the sink near the inside edge. Be careful not to miss or skip any area.
- Carefully lift sink squarely under countertop cut-out. Press firmly on sink to form seal and seal sink. Immediately wipe excess sealant with damp cloth. Be careful not to smear or spread sealant onto countertop or sink.



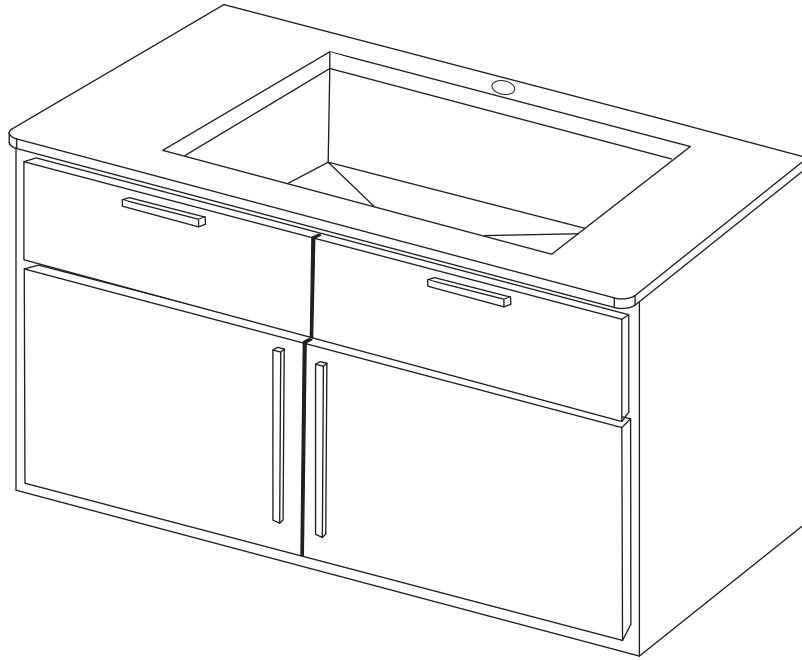
6. Attach Mounting Hardware

- Attach mounting hardware over the lip of bowl to secure bowl.
- Verify alignment of sink again and tighten fasteners to secure sink.
- Wipe away excess sealant with a damp cloth.
- Allow sealant to set for 45-60 minutes.



7. Installing Plumbing Fixtures

- Turn counter back over.
- Connect drain, trap to drain, and water supply connections to faucet according to manufacturer's instruction.
- Test run water into sink and check for leaks.



Lifelong Care: Swiss Madison Stainless steel sinks are easy to maintain with minimal care. For best results, always rinse with mild soap and wipe after each use. Rub lightly with soft cloth in the direction of the drain on a regular basis. To avoid damage and discoloration to the sink surface never use steel wool, scouring pad or abrasive cleaners.



ONE YEAR LIMITED WARRANTY

1-434-MADISON

(623-4766)

19 Stulds Rd., Dayton, NJ 08810

www.swissmadison.com

Swiss Madison® products are made with quality materials and excellent craftsmanship to provide the customers a long lasting product. In the case of any defects in materials or craftsmanship under regular use were inspected in the first year of purchase, Swiss Madison® will provide replacement parts at no charge, or at its option, replace any product or part of the product that is deemed defective, under normal installation, use, service and maintenance. This warranty applies only to the original purchaser. Proof of purchase will be required in the case of a claim.

Swiss Madison® recommends the installations to be made by a licensed, professional plumber. Swiss Madison® will not be held responsible for any damage or product failure due to improper installation, misuse, or failure to use a licensed professional. Swiss Madison® is not responsible for any removal or installation cost.

This One Year Limited Warranty will be voided if:

- The installation recommendations were not followed.
- The product has been moved from it's initial place of installation.
- The product has been modified.
- The product has been subjected to improper maintenance, abuse, misuse, excessive use of chemicals, accident or other damages.

Swiss Madison® makes no implication that products comply with any or all local building or plumbing codes. It is the consumer's responsibility to determine local code compliance. This warranty extends to the original purchaser and first consumer.

Swiss Madison® is not liable for any incidental, consequential or special damages associated with the return, replacement, installation or use of your product. This includes freight costs, labor, travel time, lost profit, home damages and other contingent liabilities and costs (including, without limitation, costs associated with experts, investigations, analyses, attorneys and other professionals and services).

The Swiss Madison® warranty is a comprehensive and explicit limit of liability, and all items outside of it are not addressable by or the responsibility of Swiss Madison®. Certain states have variances regarding implied warranties and in those situations we remain fully compliant.

In the case of any questions or a claim contact us directly at 1-434-MADISON (623-4766).

WARNING: Content may contain sharp and other possibly harmful pieces and may cause hazard to children and adults, Swiss Madison® is not responsible in any way for personal damage.