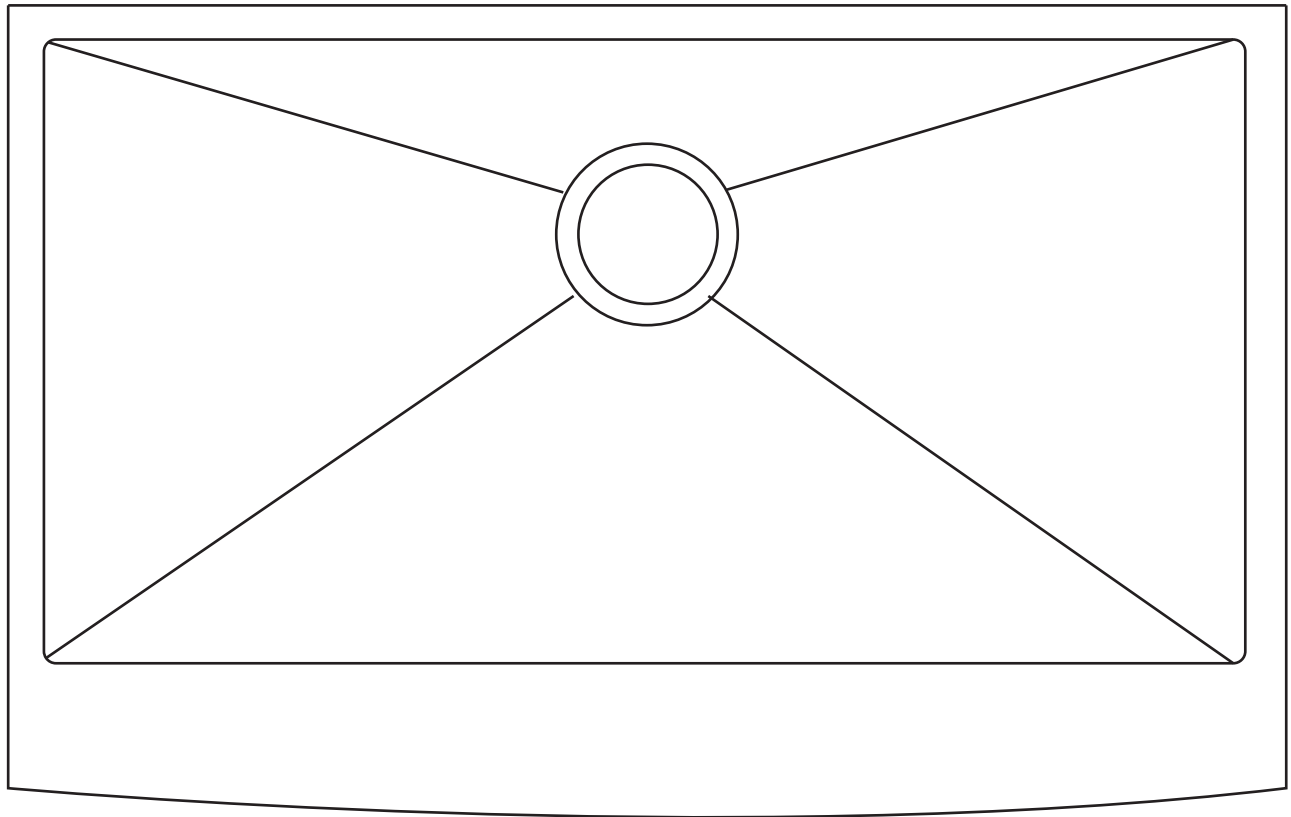


INSTALLATION INSTRUCTIONS

Swiss Madison
well made forever

Stainless Steel Farmhouse Kitchen Sink



Share your pictures for a feature!
using **#SwissMadison**





Prior to Installation:

- Inspect sink to ensure no damages have occurred while in shipping
- Use the cut-out template provided by Swiss Madison
- Observe all plumbing and building codes in accordance with your state and local requirements
- Additional floor and wall preparations may be necessary to avoid damage to the product
- Make sure to purchase the correct cabinet for your farmhouse sink.
Farmhouse base cabinets should be 3" larger than the actual size of the sink
- Installation with laminate countertop not recommended

General Recommendations: Read installation and maintenance instructions thoroughly before installing the sink. Be sure to use proper tools and always wear proper personal safety accessories for your protection.

If you have any questions or concerns please contact us:

1-434-623-4766
info@swissmadison.com

Thank you for your purchase

Thank you for purchasing a Swiss Madison Kitchen Sink.

We appreciate your business and know you will enjoy your sink for many years to come.

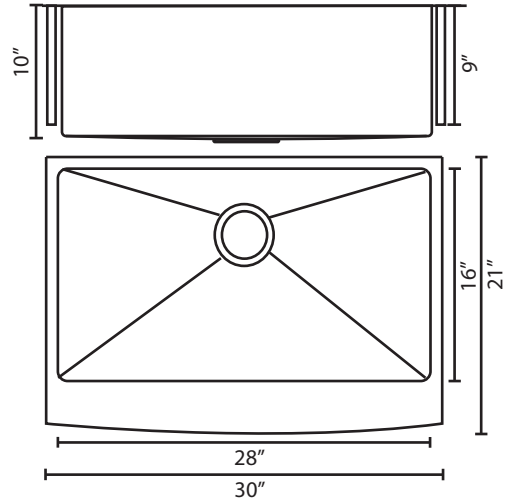
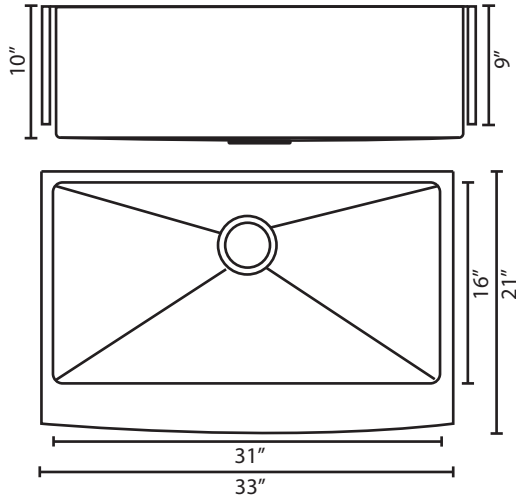
If you have any questions or require assistance we would be happy to help,
please contact us at 1-434-6234766 or info@swissmadison.com.

To learn more about our products, please visit:

www.swissmadison.com

Sincerely,

The Swiss Madison Team



SM-KS758

33" x 21" x 10"

Min Cabinet Size: 37"

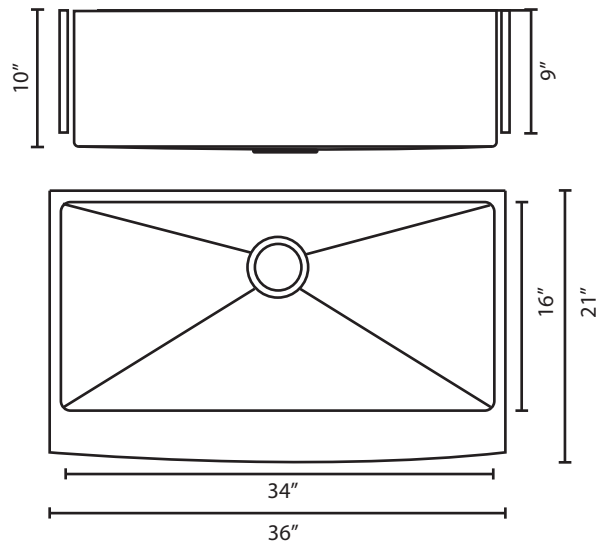
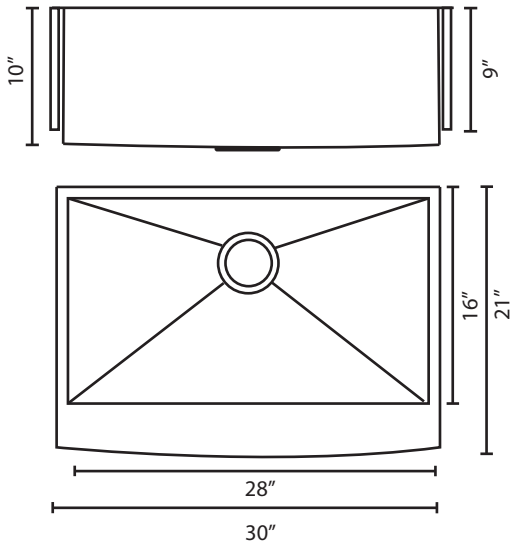
Matching Grid: SM-KS758-G

SM-KS759

30" x 21" x 10"

Min Cabinet Size: 34"

Matching Grid: SM-KS759-G



SM-KS760

30" x 21" x 10"

Min Cabinet Size: 34"

Matching Grid: SM-KS760-G

SM-KS761

36" x 21" x 10"

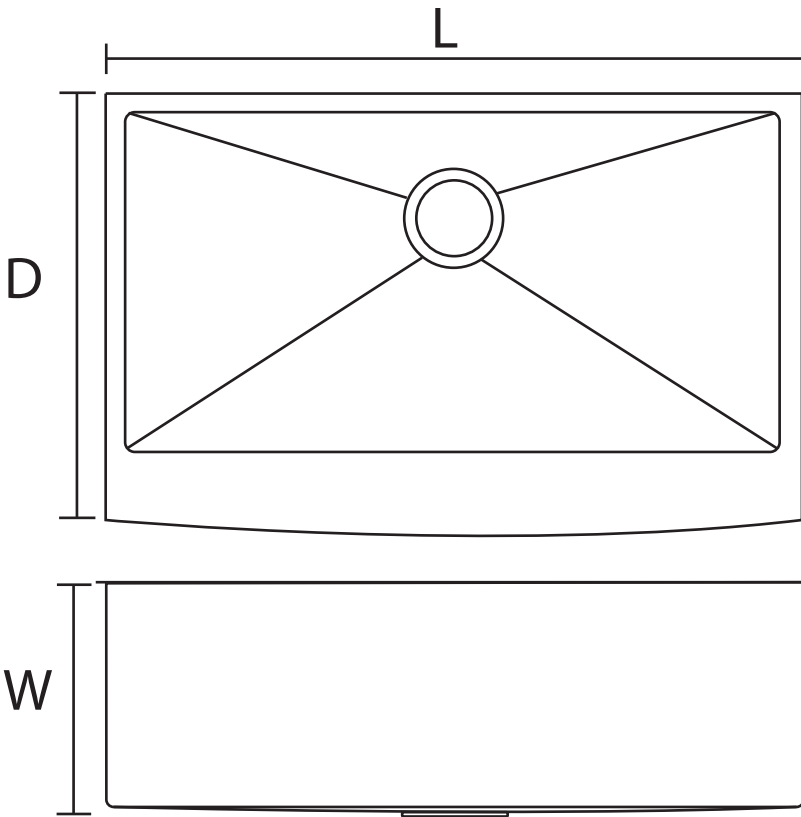
Min Cabinet Size: 40"

Matching Grid: SM-KS761-G

*Matching grids and drains are not included, please contact us if you wish to purchase one

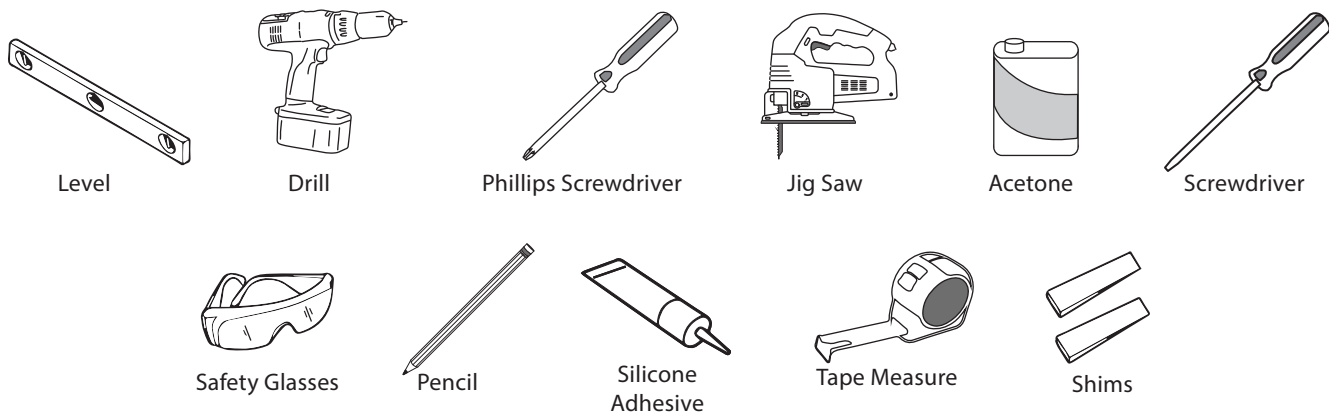
FARMHOUSE SINK

INSTALLATION INSTRUCTIONS



SKU	NAME	L x W x D
SM-KS758	Rivage	33" x 21" x 10"
SM-KS759	Rivage	30" x 21" x 10"
SM-KS760	Plasir	30" x 21" x 10"
SM-KS761	Rivage	36" x 21" x 10"

SUGGESTED TOOLS AND MATERIALS



PARTS LIST

- Swiss Madison Sink
- Cut-out Template
- Stainless steel sink grid (not included)

NOTE: Specialized tools may be necessary to install Swiss Madison Stainless steel Undermount sinks with countertop materials other than wood, marble, or granite.

The step-by-step guidelines in the installation instructions are a general reference for installing a Swiss Madison Sink. Should there be any discrepancies, Swiss Madison cannot be held liable. It is recommended to install all Swiss Madison products by hiring a licensed professional

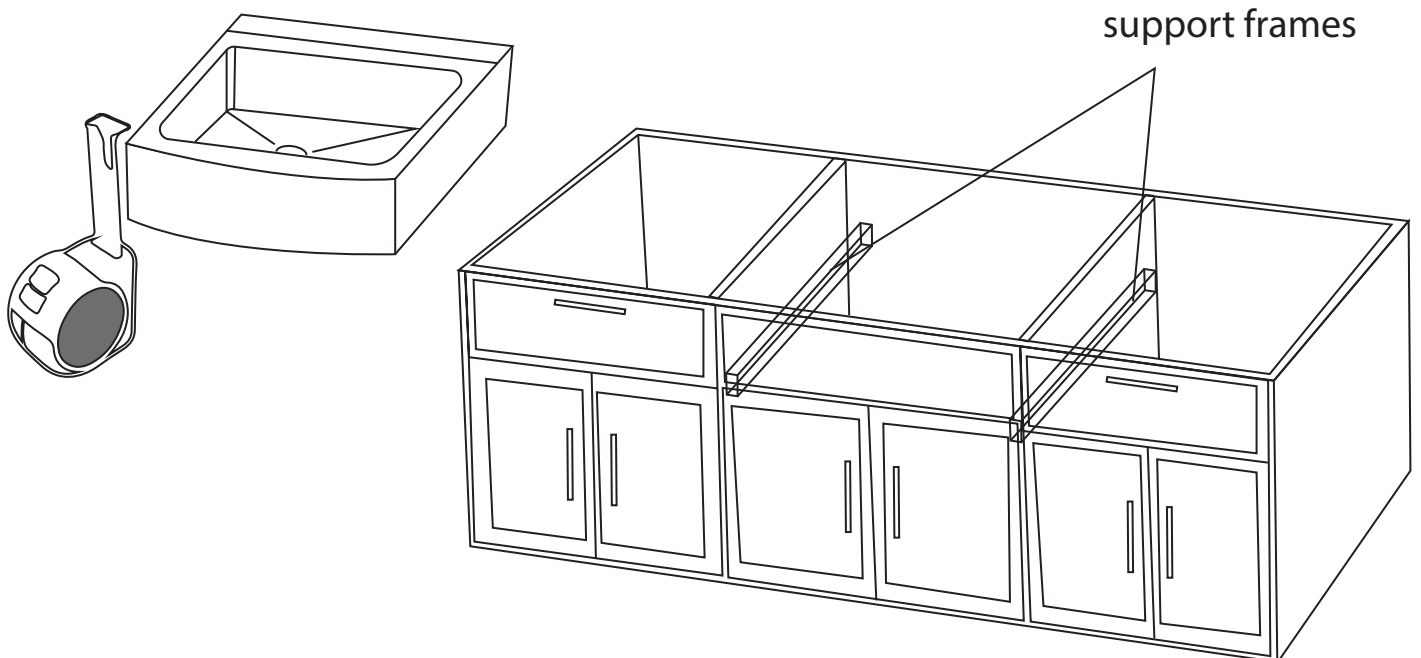


1. Read the complete instruction manual before beginning installation.
2. Confirm that your model will fit in intended location and plumbing fixtures are located where legally required before beginning installation.
3. Not all drawings on this manual are drawn to scale. Please refer to the model chart.
4. Two people are recommended to install and move this product.



1. Measure and assemble supports

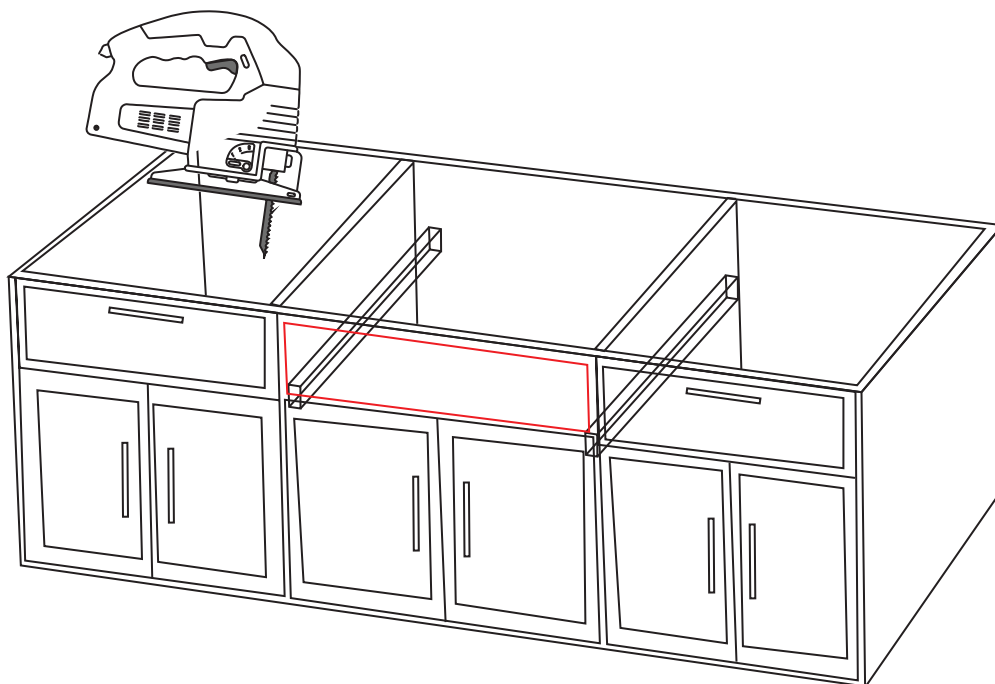
- Measure actual height of the apron
- Build support frames on the inside of cabinet based on sink measurements



2. Cut front of Cabinet

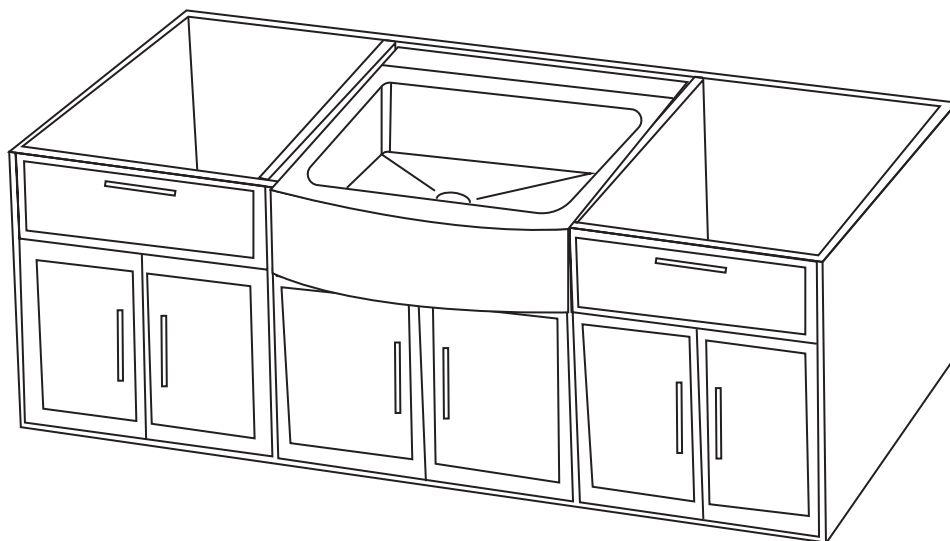
- Measure the height of apron front add 1/16" to the dimensions when marking base cabinet front cutting location
- Use saw to cut

ALWAYS WEAR PROTECTIVE GEAR WHEN USING DANGEROUS MATERIALS



3. Install Sink

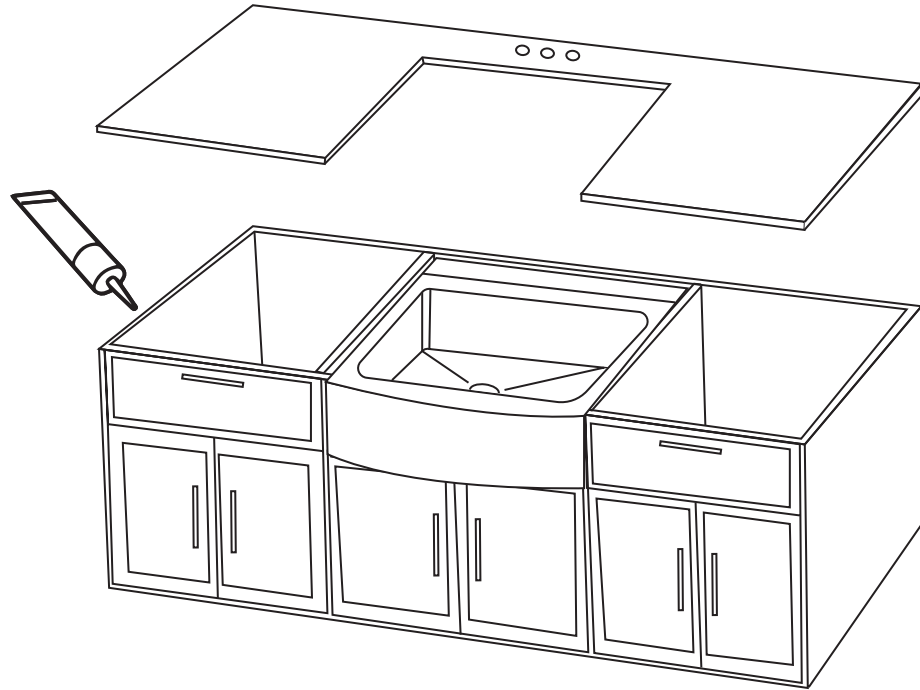
- Carefully place sink into the opening. The weight of sink should be sustained by the pre build support frames
- Verify sink is leveled from side to side and front to back using a level tool. Use shims, if needed, to level sink
- Use sealant to seal any gaps where required



4. Affix Countertop

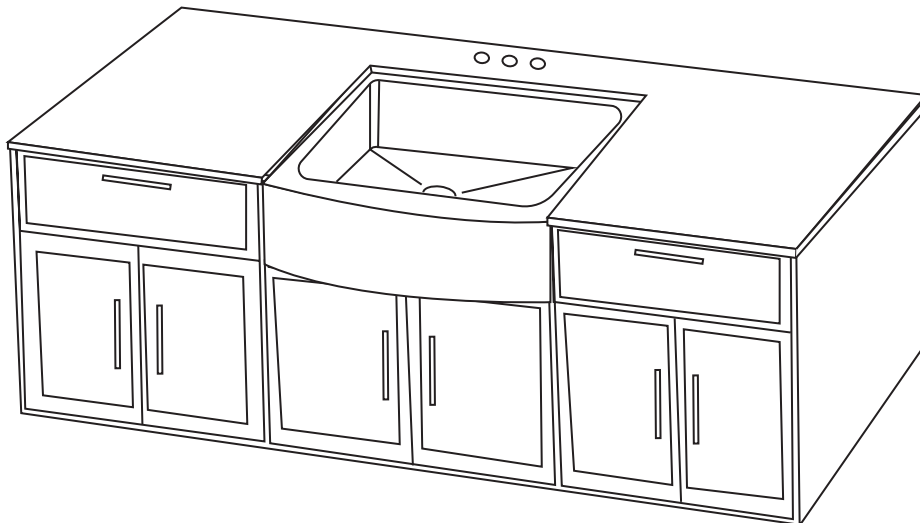
- Use a bead of silicone or preferred adhesive around the rim of the sink
- Verify the alignment of the sink to the cutout countertop. Align cut countertop hole over the sink and press firmly

Installer Tip: Use acetone or denatured alcohol to remove any excess sealant



5. Installing Plumbing Fixtures

- Connect drain; trap to drain and water supply connections to the faucet according to manufacturers instruction
- Run water and check for leaks



Lifelong Care: Swiss Madison Stainless steel sinks are easy to maintain with minimal care. For best results, always rinse with mild soap and wipe after each use. Rub lightly with soft cloth in the direction of the drain on a regular basis. To avoid damage and discoloration to the sink surface never use steel wool, scouring pad or abrasive cleaners.



1-434-MADISON

(623-4766)

19 Stulds Rd., Dayton, NJ 08810

www.swissmadison.com

ONE YEAR LIMITED WARRANTY

Swiss Madison® products are made with quality materials and excellent craftsmanship to provide the customers a long lasting product. In the case of any defects in materials or craftsmanship under regular use were inspected in the first year of purchase, Swiss Madison® will provide replacement parts at no charge, or at its option, replace any product or part of the product that is deemed defective, under normal installation, use, service and maintenance. This warranty applies only to the original purchaser. Proof of purchase will be required in the case of a claim.

Swiss Madison® recommends the installations to be made by a licensed, professional plumber. Swiss Madison® will not be held responsible for any damage or product failure due to improper installation, misuse, or failure to use a licensed professional. Swiss Madison® is not responsible for any removal or installation cost.

This One Year Limited Warranty will be voided if:

- The installation recommendations were not followed.
- The product has been moved from it's initial place of installation.
- The product has been modified.
- The product has been subjected to improper maintenance, abuse, misuse, excessive use of chemicals, accident or other damages.

Swiss Madison® makes no implication that products comply with any or all local building or plumbing codes. It is the consumer's responsibility to determine local code compliance. This warranty extends to the original purchaser and first consumer.

Swiss Madison® is not liable for any incidental, consequential or special damages associated with the return, replacement, installation or use of your product. This includes freight costs, labor, travel time, lost profit, home damages and other contingent liabilities and costs (including, without limitation, costs associated with experts, investigations, analyses, attorneys and other professionals and services).

The Swiss Madison® warranty is a comprehensive and explicit limit of liability, and all items outside of it are not addressable by or the responsibility of Swiss Madison®. Certain states have variances regarding implied warranties and in those situations we remain fully compliant.

In the case of any questions or a claim contact us directly at 1-434-MADISON (623-4766).

WARNING: Content may contain sharp and other possibly harmful pieces and may cause hazard to children and adults, Swiss Madison® is not responsible in any way for personal damage.