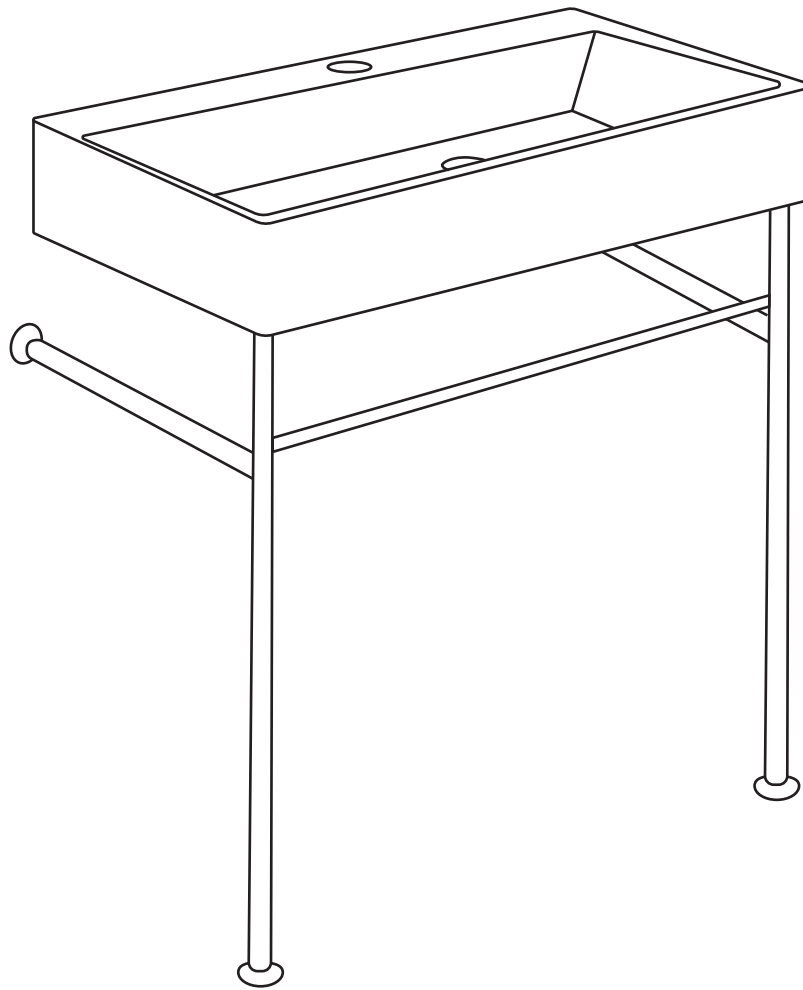


# INSTALLATION INSTRUCTIONS

*Swiss Madison*<sup>®</sup>  
well made forever

## Claire Console Sink



Share your pictures for a feature!  
using **#SwissMadison**



# Thank you for your purchase

Thank you for purchasing a Swiss Madison Console Sink.

We appreciate your business and know you will enjoy your sink for many years to come.

If you have any questions or require assistance we would be happy to help,  
please contact us at 1-434-623-4766 or [info@swissmadison.com](mailto:info@swissmadison.com).

To learn more about our products, please visit:

**[www.swissmadison.com](http://www.swissmadison.com)**

*Sincerely,*

*The Swiss Madison Team*



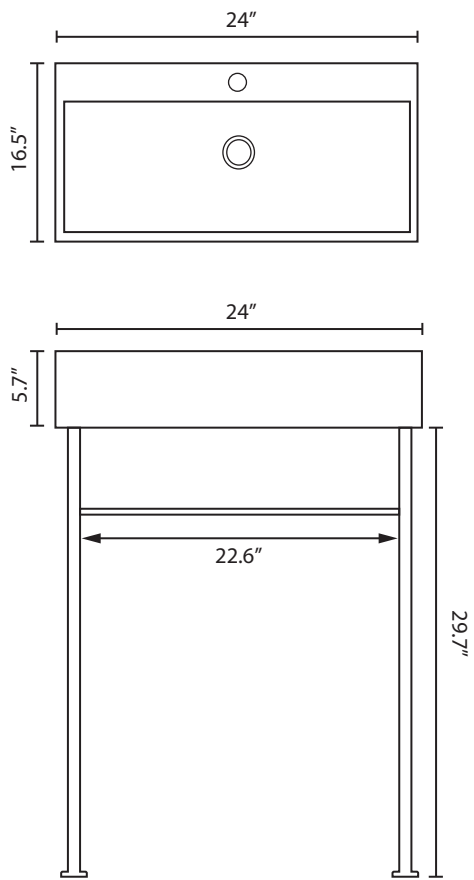
## Prior to Installation:

- Inspect sink to ensure no damages have occurred while in shipping.
- Observe all plumbing and building codes in accordance with your state and local requirements.
- Additional floor and wall preparations may be necessary to avoid damage to the product.
- Floor must be LEVEL to install our console sink.
- Console height is NOT adjustable.

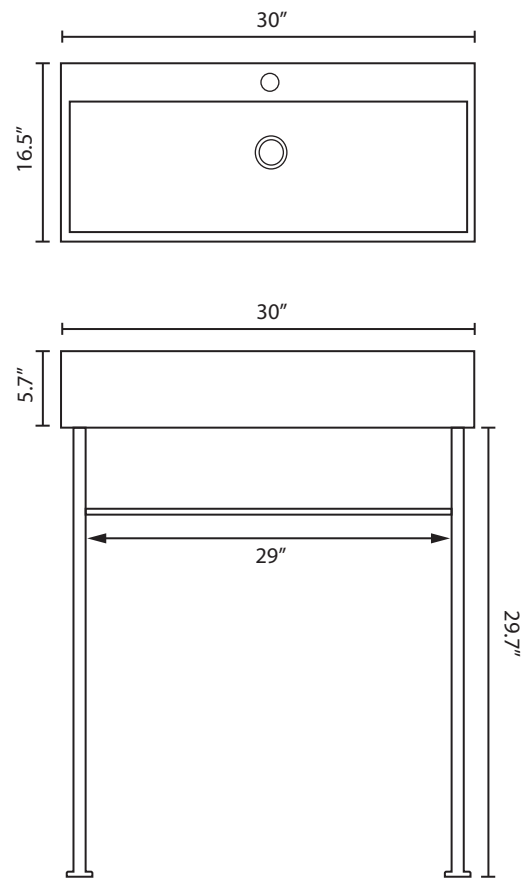
**General Recommendations:** Read installation and maintenance instructions thoroughly before installing the sink.  
Be sure to use proper tools and always wear proper personal safety accessories for your protection.

**If you have any questions or concerns please contact us:**

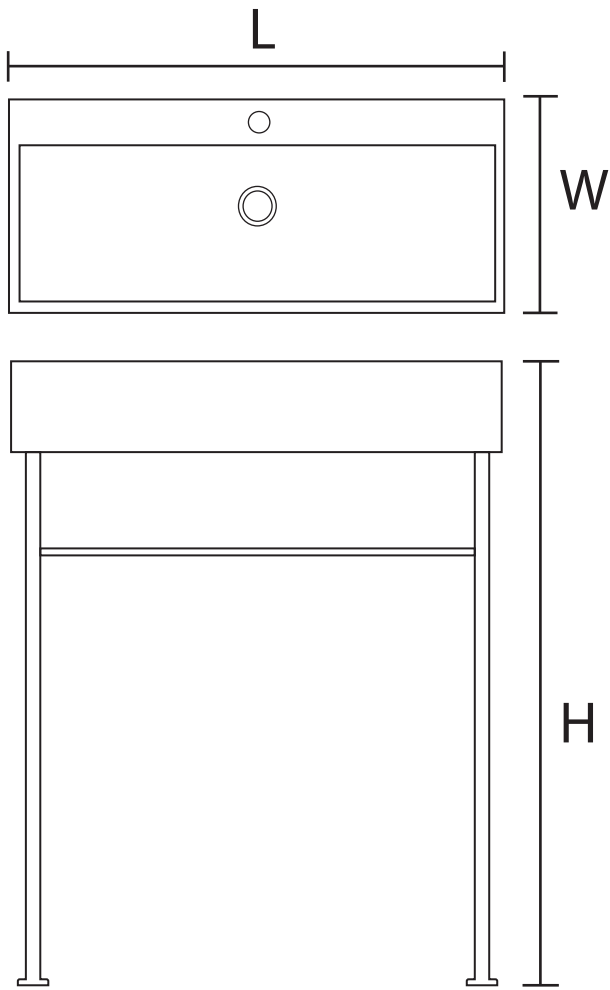
1-434-623-4766  
[info@swissmadison.com](mailto:info@swissmadison.com)



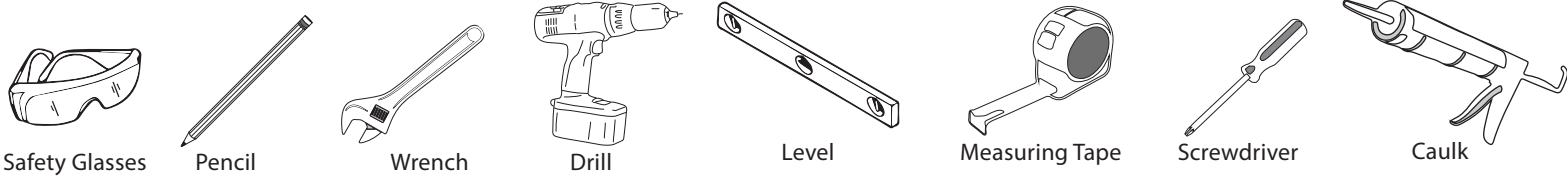
SM-CS771  
24" x 16.5" x 35.4"



SM-CS772  
30" x 16.5" x 35.4"



## SUGGESTED TOOLS AND MATERIALS



## PARTS LIST

- Swiss Madison Sink
- Console Components
- Mounting Hardware
- Faucet (not included)

**NOTE:** Specialized tools may be necessary to install a Swiss Madison Console Sink.

The step-by-step guidelines in the installation instructions are a general reference for installing a Swiss Madison Console Sink. Should there be any discrepancies, Swiss Madison cannot be held liable. It is recommended to install all Swiss Madison products by hiring a licensed professional



1. Read the complete instruction manual before beginning installation.



2. Confirm that your model will fit in intended location and plumbing fixtures are located where legally required before beginning installation.



3. Not all drawings on this manual are drawn to scale. Please refer to the model chart.

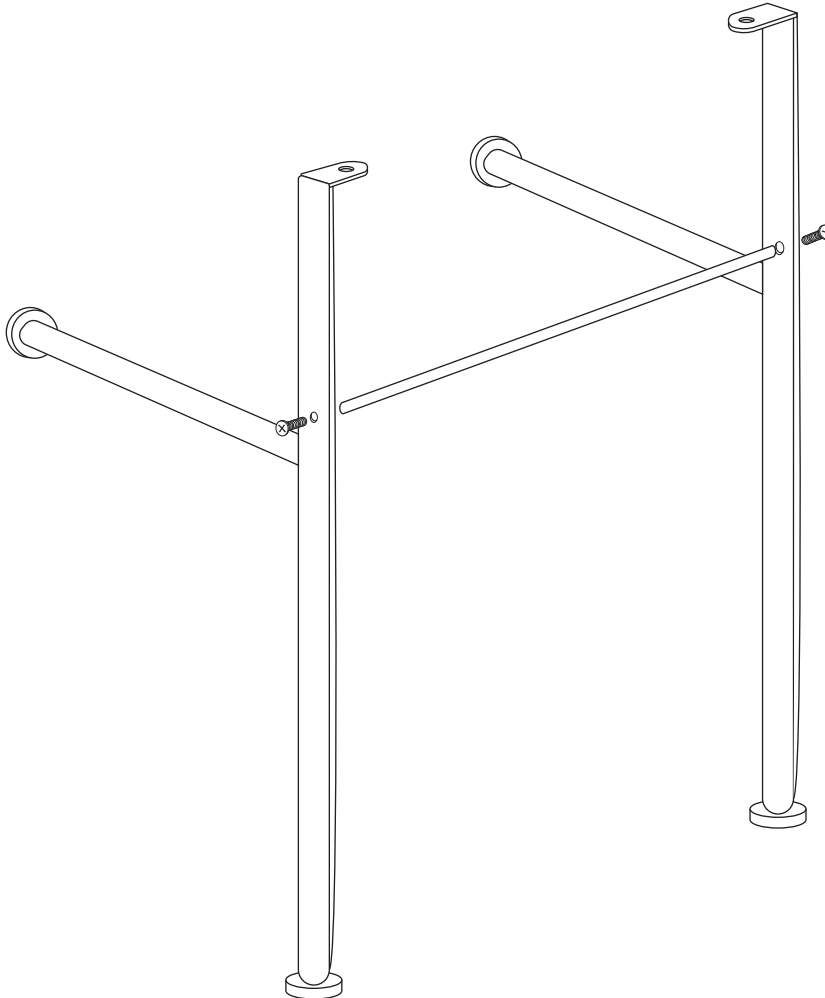
4. Two people are recommended to install and move this product.

5. Floor must be level PRIOR to installation.

## 1. Assemble Console

- Using the provided hardware assemble the console as illustrated below.

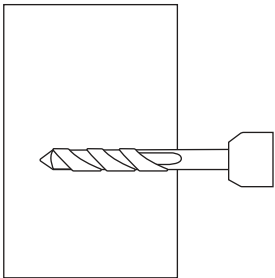
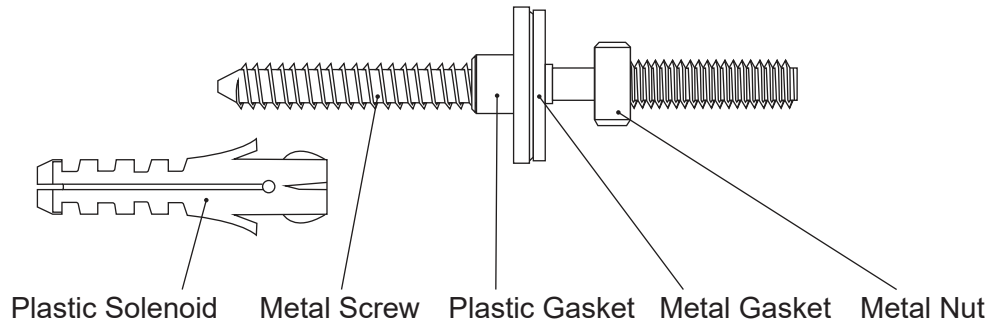
NOTE: Height of console is NOT adjustable.



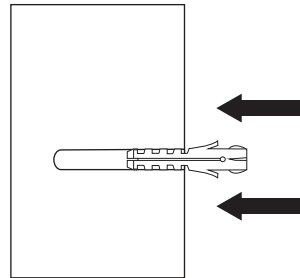
## 2. Install Sink

- Use your assembled console to mark on the wall where the bottom of the sink should rest.
- Using the steps illustrated below install your sink.

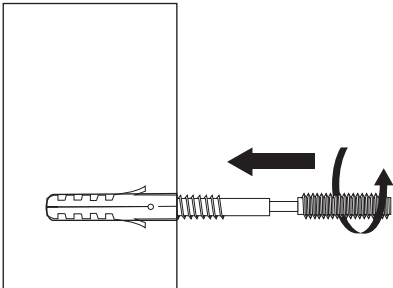
NOTE: Make sure your sink is LEVEL before marking and securing into place.



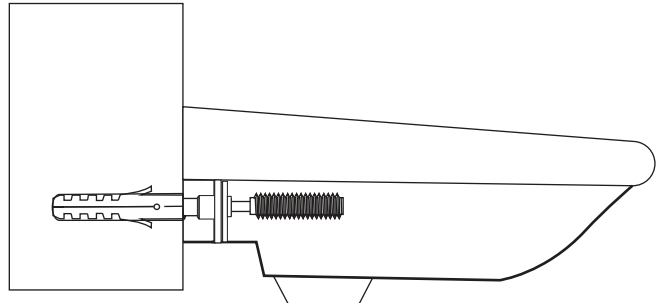
1. Drill two holes in the required position on the wall using a 14mm masonry drill bit, to a depth of 75mm.



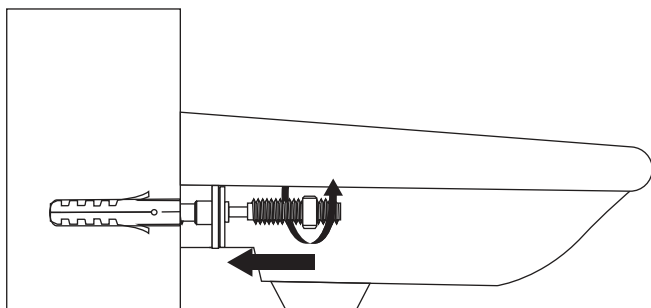
2. Push a wall plug into each hole.



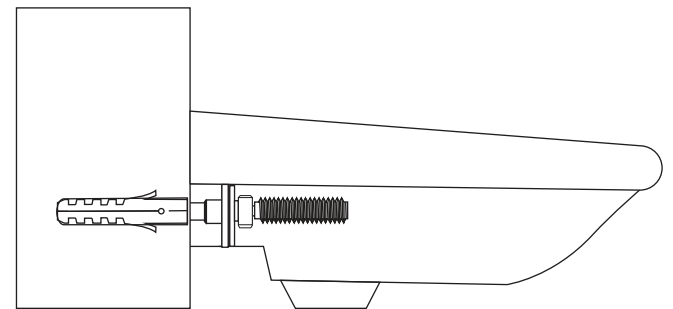
3. Screw a fixing bolt into each fixing plug using a 8mm spanner until the spanner contacts the wall.



4. Place the basin in position against the wall. Locating the fixing bolts through the holes in the rear of the basin. Push a plastic washer followed by a metal washer, onto each fixing bolt.



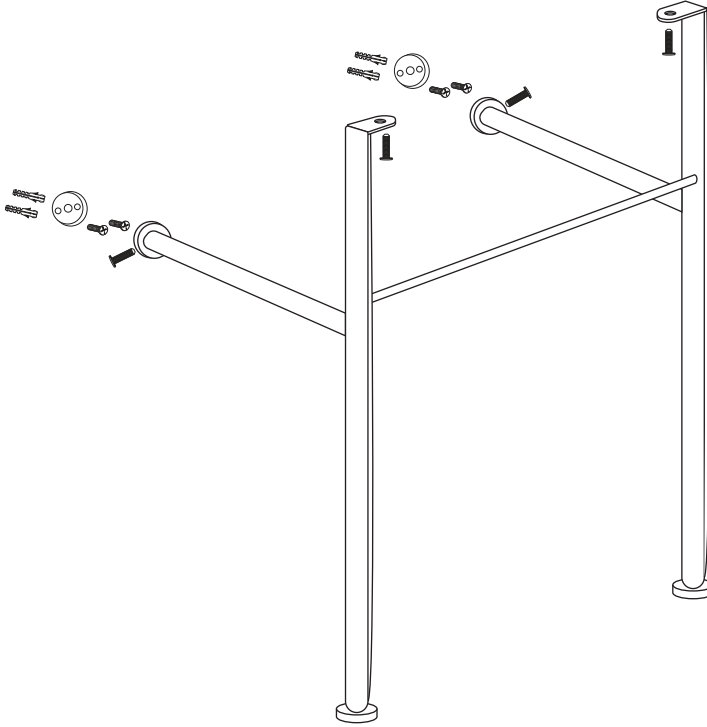
5. Screw a metal nut onto each fixing bolt to secure the basin. **Caution:** Do not over-tighten, as this may damage the ceramic.



NOTE: Drawing may not exactly define contour of china.

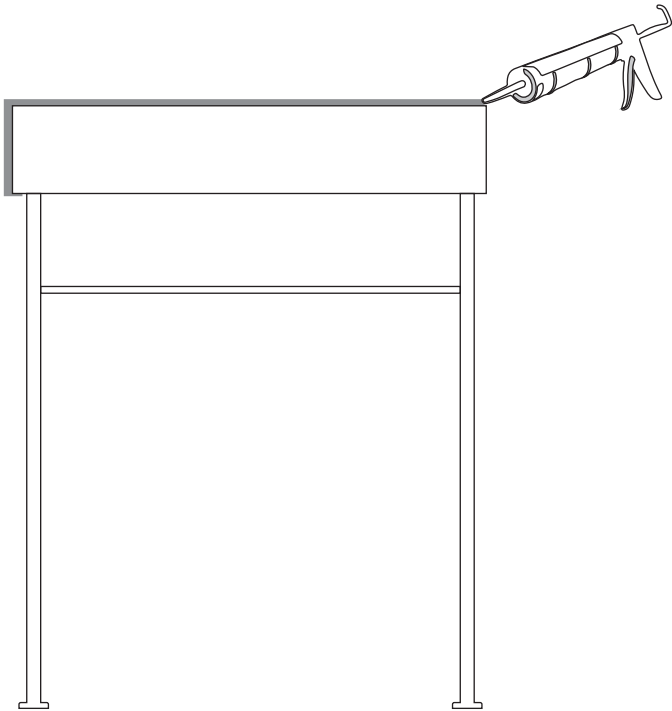
### 3. Install Console

- Secure your console underneath the sink and to the wall.



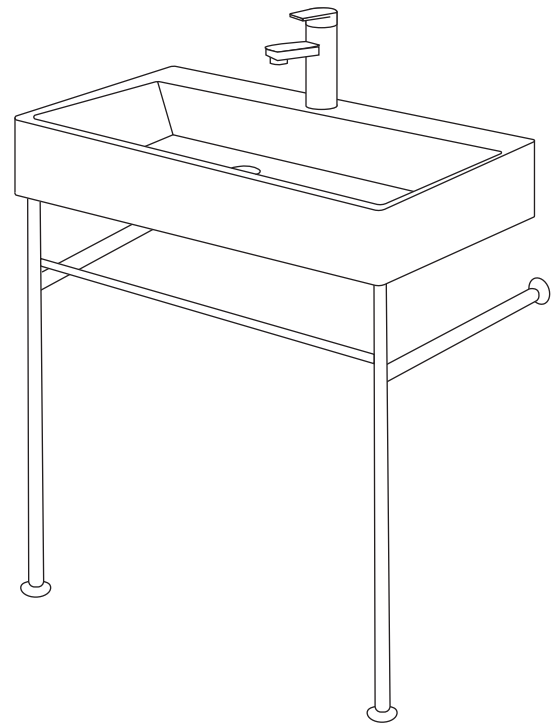
### 4. Seal Sink

- Apply a bead of caulk around the back edge of the sink where it meets the wall.



### 5. Connect Plumbing

- Install your faucet, drain, and connect your plumbing.
- Run water and check for leaks



**NOTE:** Drawing may not exactly define contour of china.



## ONE YEAR LIMITED WARRANTY

1-434-MADISON

(623-4766)

19 Stults Rd., Dayton, NJ 08810

[www.swissmadison.com](http://www.swissmadison.com)

Swiss Madison® products are made with quality materials and excellent craftsmanship to provide the customers a long lasting product. In the case of any defects in materials or craftsmanship under regular use were inspected in the first year of purchase, Swiss Madison® will provide replacement parts at no charge, or at its option, replace any product or part of the product that is deemed defective, under normal installation, use, service and maintenance. This warranty applies only to the original purchaser. Proof of purchase will be required in the case of a claim.

Swiss Madison® recommends the installations to be made by a licensed, professional plumber. Swiss Madison® will not be held responsible for any damage or product failure due to improper installation, misuse, or failure to use a licensed professional. Swiss Madison® is not responsible for any removal or installation cost.

This One Year Limited Warranty will be voided if:

- The installation recommendations were not followed.
- The product has been moved from it's initial place of installation.
- The product has been modified.
- The product has been subjected to improper maintenance, abuse, misuse, excessive use of chemicals, accident or other damages.

Swiss Madison® makes no implication that products comply with any or all local building or plumbing codes. It is the consumer's responsibility to determine local code compliance. This warranty extends to the original purchaser and first consumer.

Swiss Madison® is not liable for any incidental, consequential or special damages associated with the return, replacement, installation or use of your product. This includes freight costs, labor, travel time, lost profit, home damages and other contingent liabilities and costs (including, without limitation, costs associated with experts, investigations, analyses, attorneys and other professionals and services).

The Swiss Madison® warranty is a comprehensive and explicit limit of liability, and all items outside of it are not addressable by or the responsibility of Swiss Madison®. Certain states have variances regarding implied warranties and in those situations we remain fully compliant.

In the case of any questions or a claim contact us directly at 1-434-MADISON (623-4766).

**WARNING:** Content may contain sharp and other possibly harmful pieces and may cause hazard to children and adults, Swiss Madison® is not responsible in any way for personal damage.