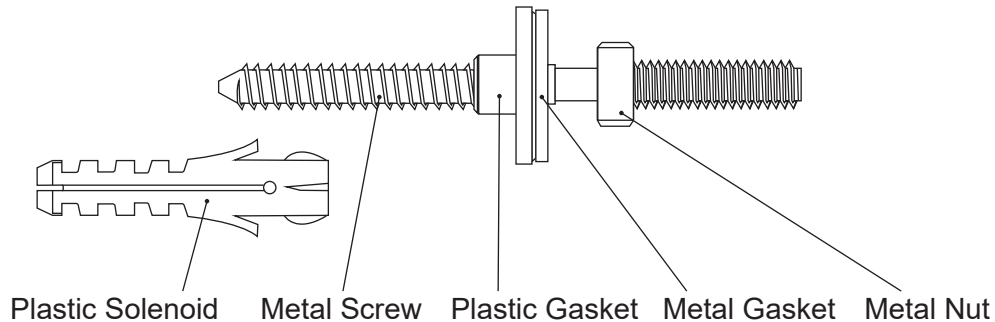


# INSTALLATION INSTRUCTIONS

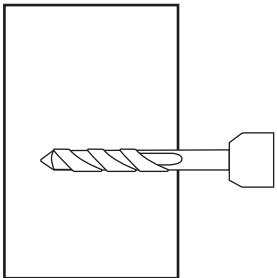
Swiss Madison  
well made forever

## Wall Hung Sink

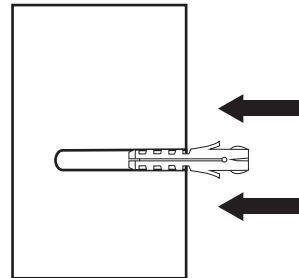


**NOTE:** These fixings are suitable for solid walls only. Plasterboard or stud walls may require specialist fixings (not supplied).

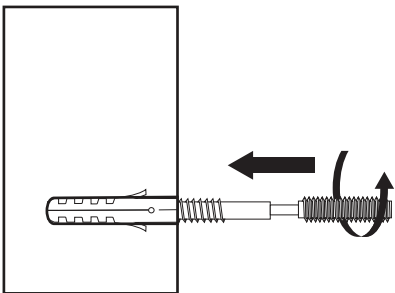
**CAUTION:** Care should be taken when drilling walls and floors to avoid any concealed wires or pipes.



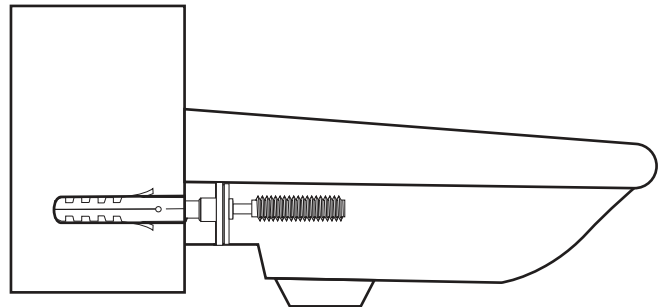
1. Drill two holes in the required position on the wall using a 14mm masonry drill bit, to a depth of 75mm.



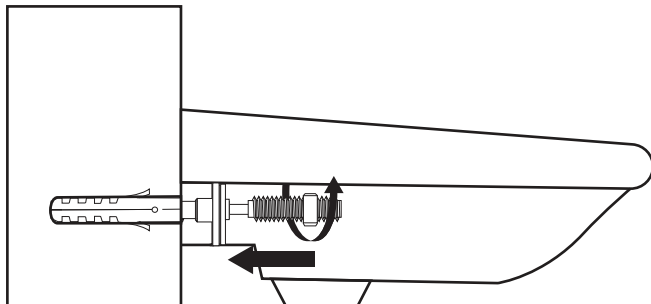
2. Push a wall plug into each hole.



3. Screw a fixing bolt into each fixing plug using a 8mm spanner until the spanner contacts the wall.



4. Place the basin in position against the wall. Locating the fixing bolts through the holes in the rear of the basin. Push a plastic washer followed by a metal washer, onto each fixing bolt.



5. Screw a metal nut onto each fixing bolt to secure the basin. **Caution:** Do not over-tighten, as this may damage the ceramic.

