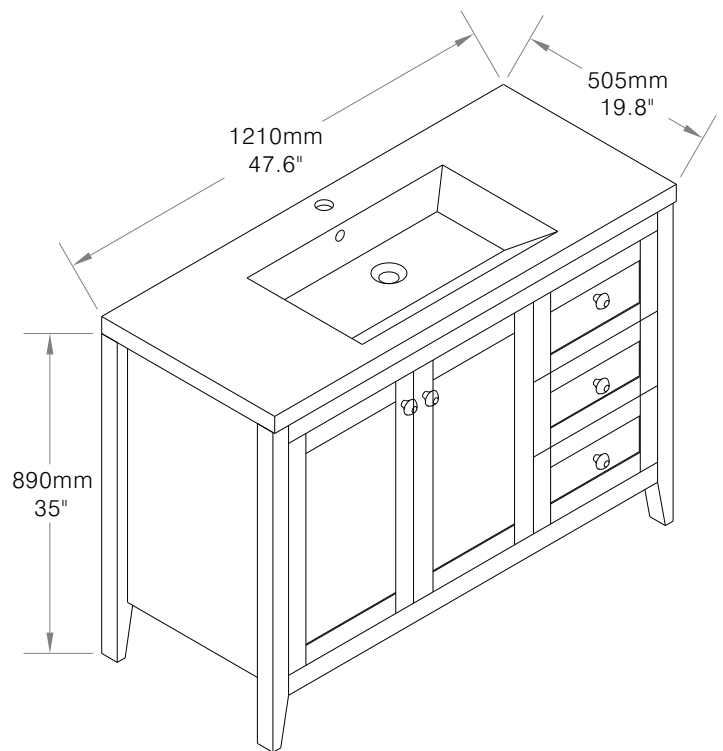
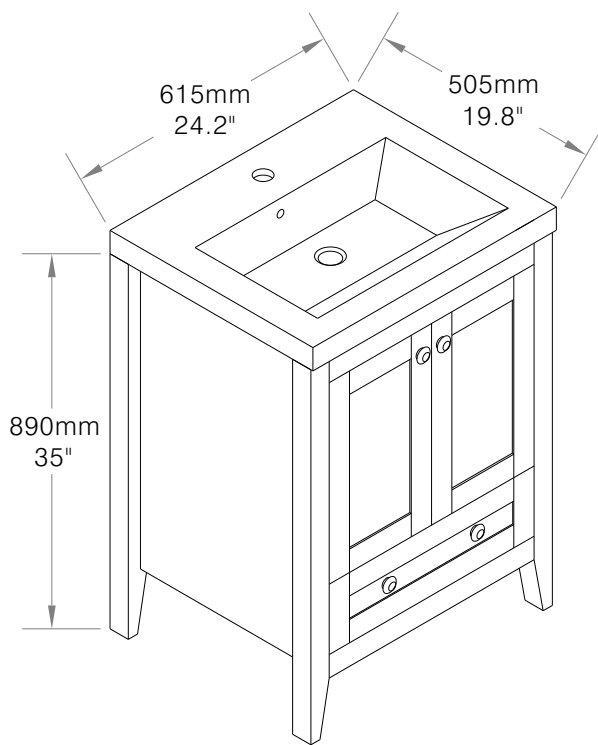


INSTALLATION INSTRUCTIONS

Swiss Madison
well made forever

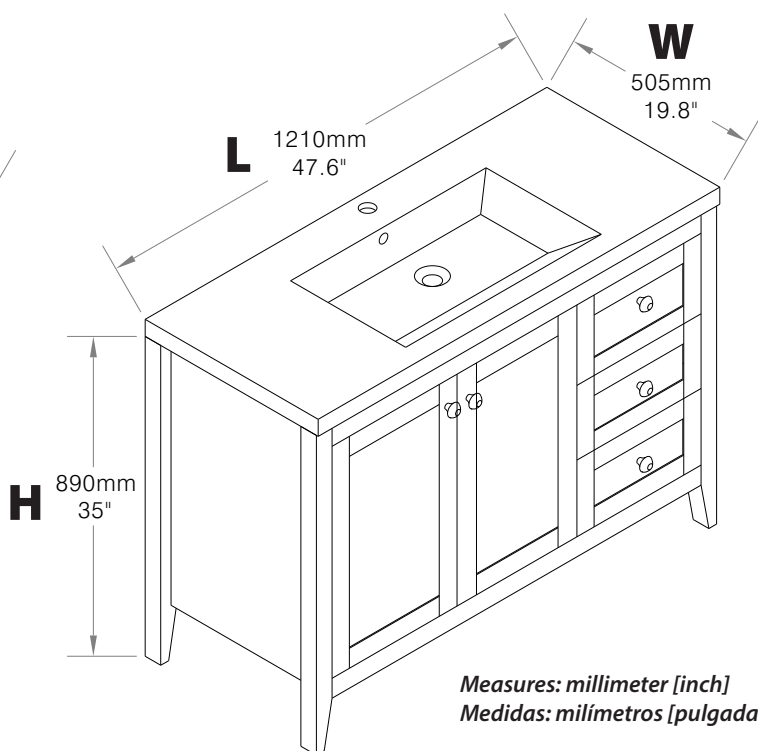
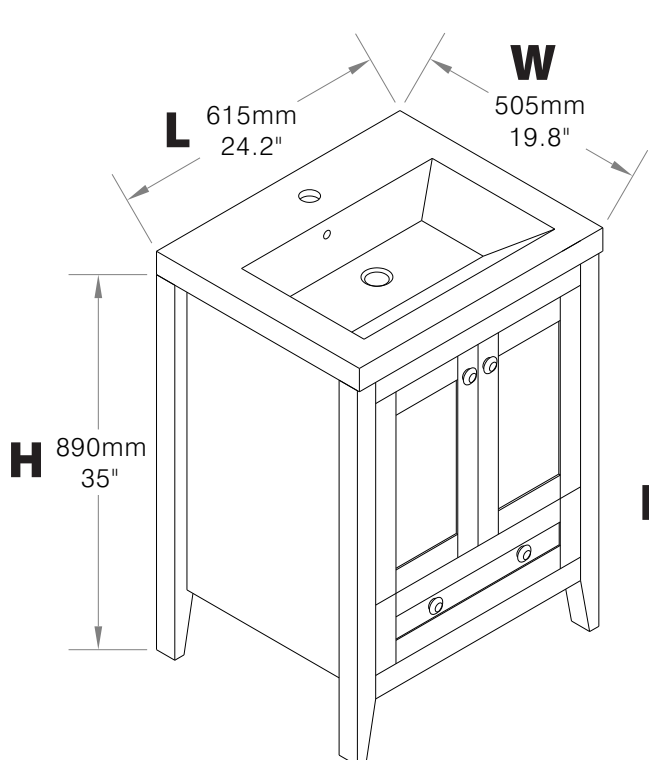
SKU	NAME
SM-BV412	CANNES 24" TWO DOORS ONE DRAWER SINGLE BATHROOM VANITY
SM-BV414	CANNES 48" TWO DOORS THREE DRAWERS SINGLE BATHROOM VANITY



Share your pictures for a feature!
using #SwissMadison

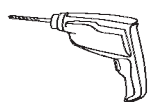


SKU	NAME	L x W x H	Basins	Installation
SM-BV412	Cannes	24.2" x 19.8" x 35"	Single	Freestanding
SM-BV414	Cannes	47.6" x 19.8" x 35"	Single	Freestanding



Measures: millimeter [inch]
Medidas: milímetros [pulgadas]

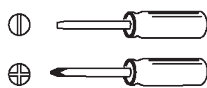
REQUIRED TOOLS



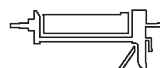
Drill



Measuring Tape



Screwdriver



Silicone



Level



Pencil



Drop Cloth

Before Installation



1. Read the complete instruction manual before beginning installation.



2. This vanity should be installed by an experienced plumber.

3. Not all drawings on this manual are drawn to scale. Please refer to the model chart.



4. Drain pipe and drain trap are not supplied. Connect to an existing drain pipe.

5. Always use drop cloth to protect vanity from damage during installation.

6. Two people are recommended to install and move this product.

Antes de instalar



1. Lea el manual de instrucciones completo antes de comenzar la instalación.

2. Esta vanidad debe ser instalado por un experimentado plomero.



3. No todos los dibujos en este manual han sido dibujados con exactitud. Por favor referirse a la tabla de modelos.

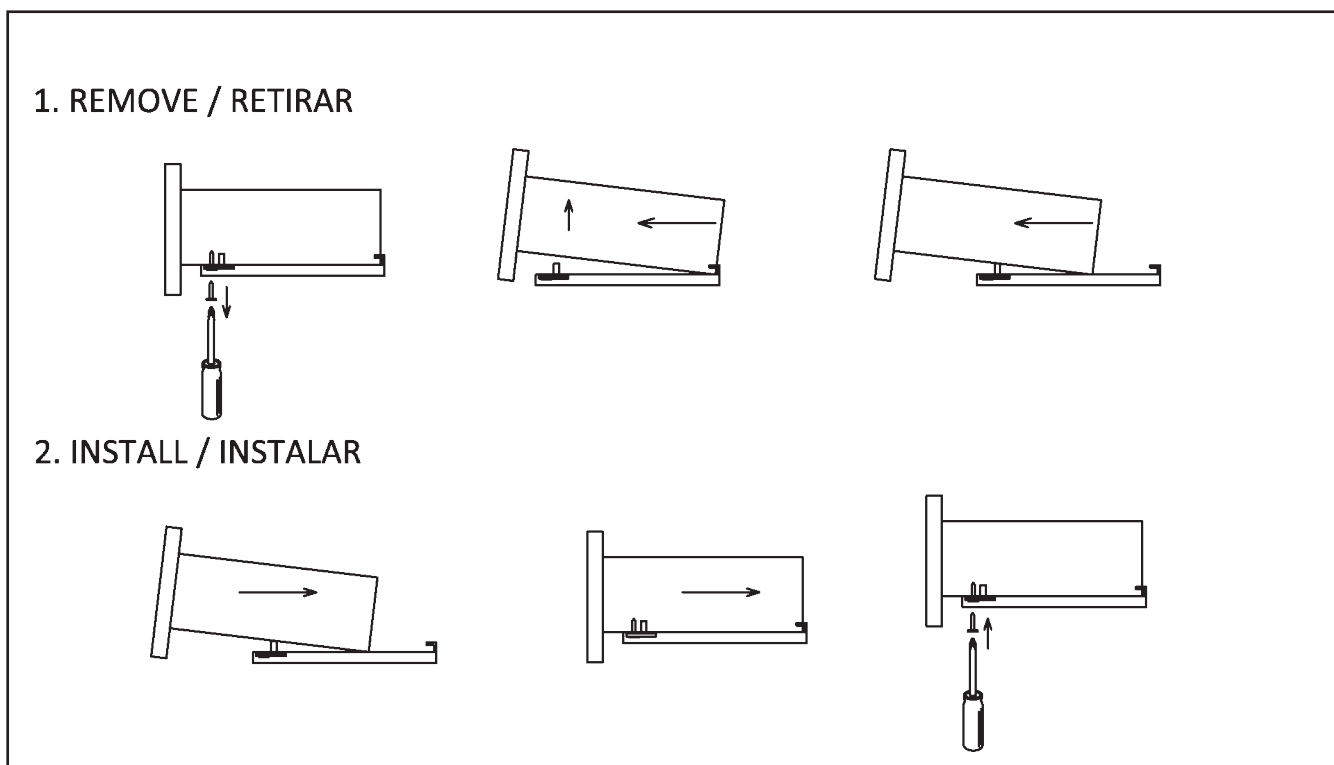
4. Tubo de desagüe y sifón no se suministran. Conectese a la tubería del drenaje existente.



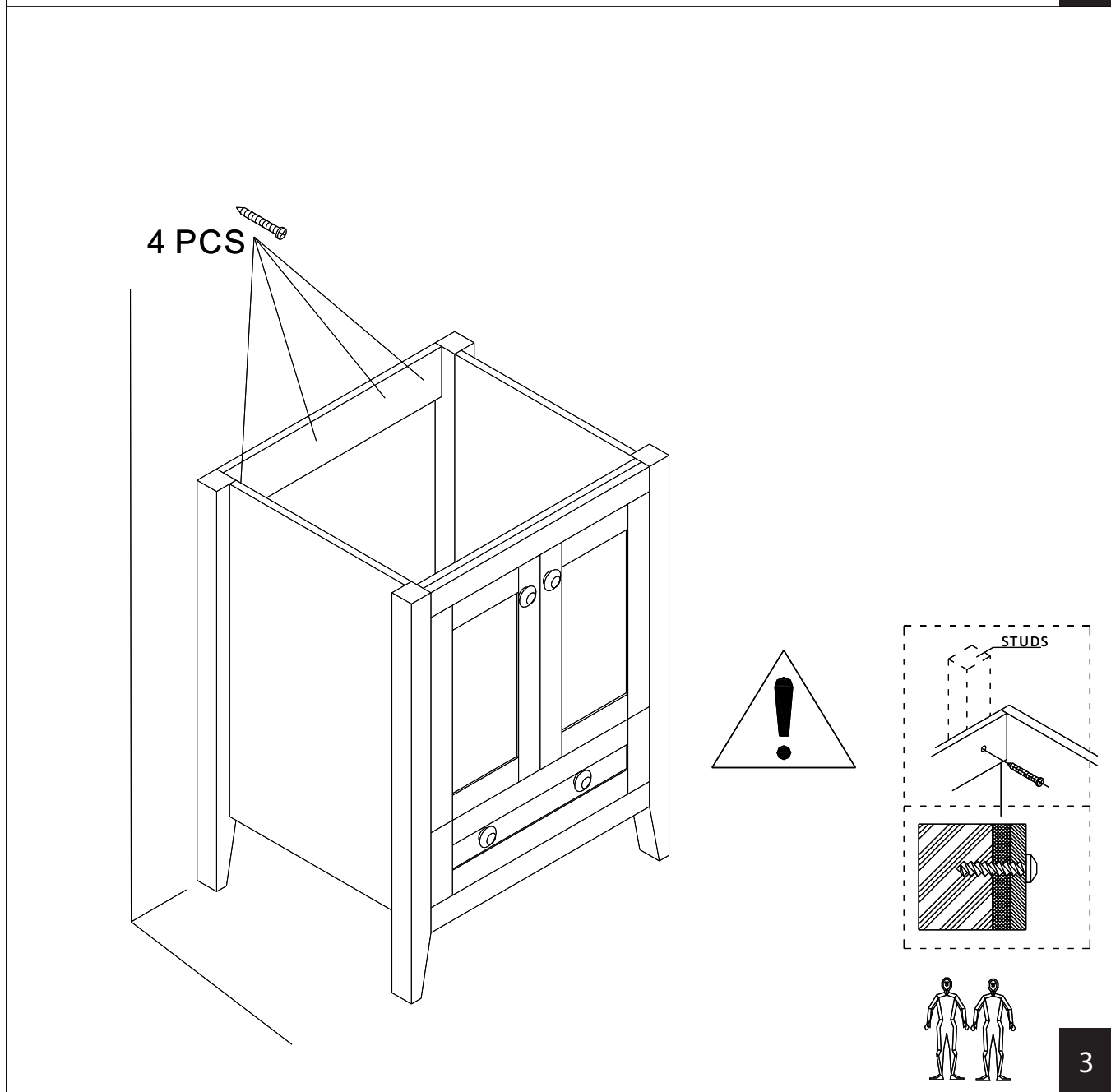
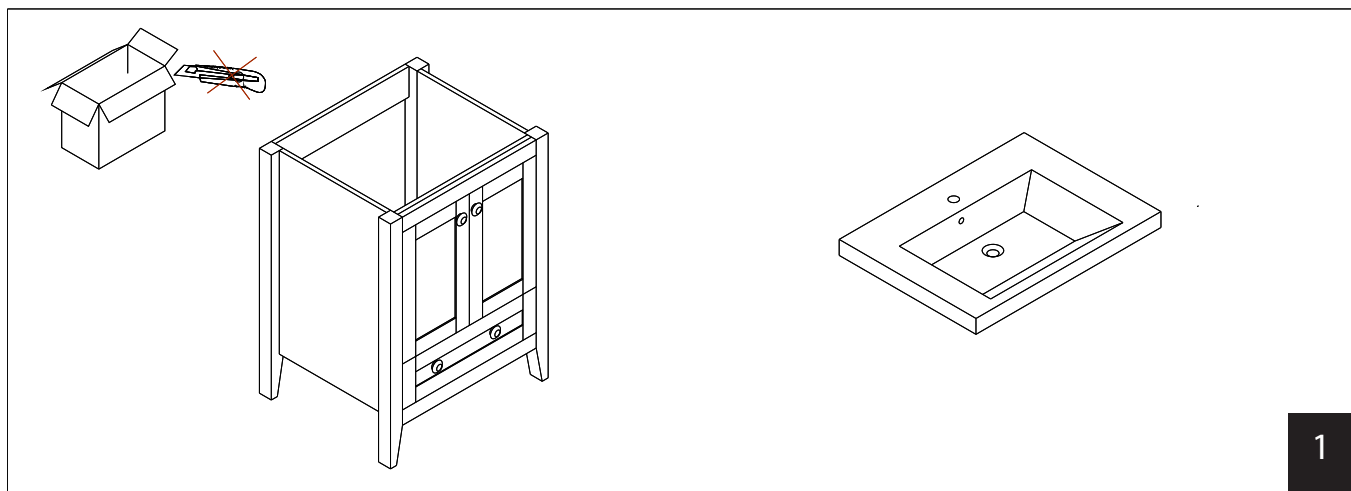
5. Siempre use un trapo para proteger la vanidad de daños mientras la instalación.

6. Dos personas son recomendadas para la instalación y movimiento de este producto.

Drawer removal (if applicable)



FREESTANDING VANITY INSTALLATION

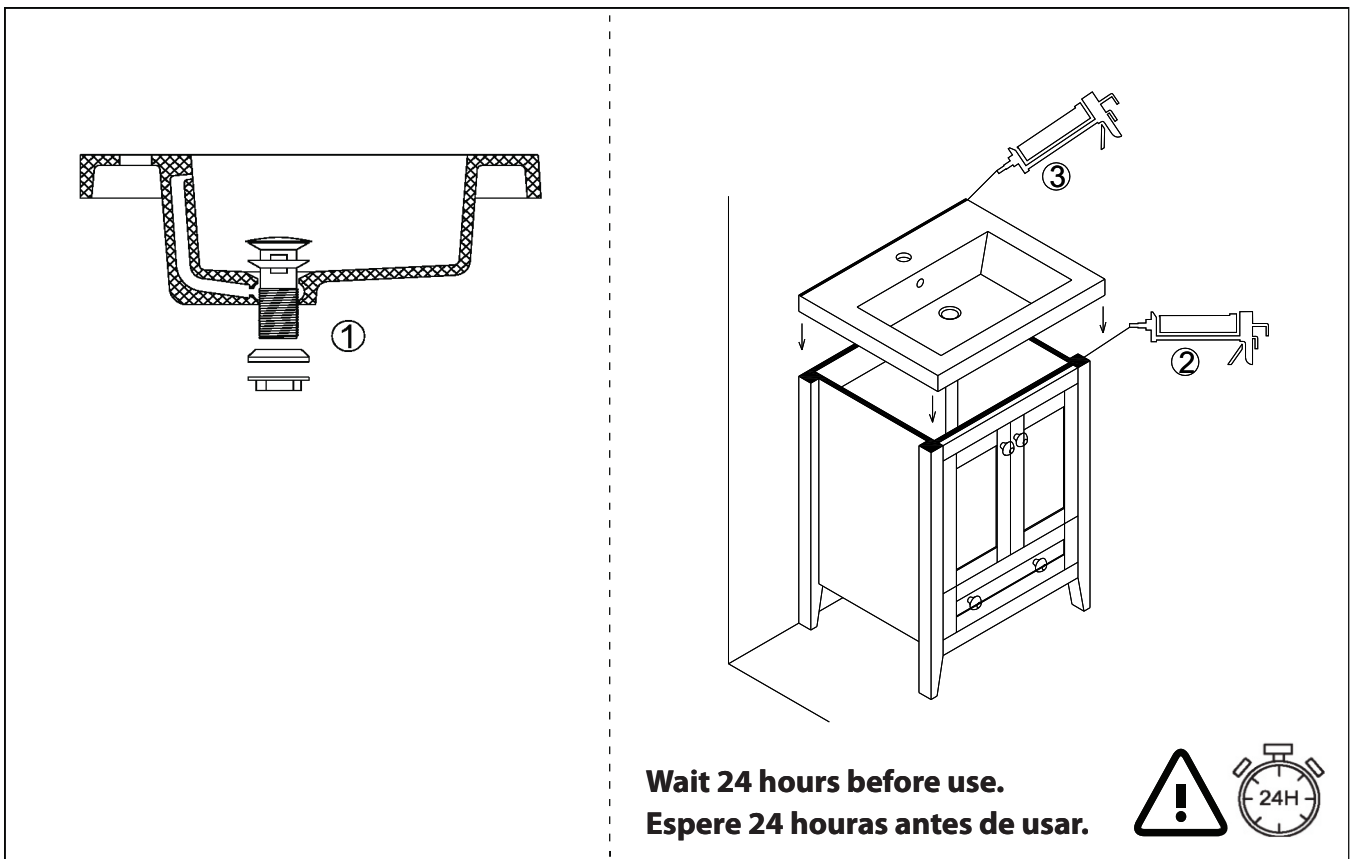


Vanity Top Installation

1. Install the faucet per manufacturer's installation instructions.
2. Hand tighten the pop-up drain with a wrench. Be careful not to over-tightening the pop-up drain. Over tightening may cause cracks on the marble top.
3. Set the vanity top on top of the vanity base, checking the location of the p-trap and drain.
4. Remove vanity top from vanity base. Apply a thin bead of silicone compound around the vanity base and set the vanity top carefully in place.
5. Remove any excess silicone compound with a wet rag.

Instalación del lavadero

1. Instale las llaves de acuerdo con las instrucciones de instalación del fabricante.
2. Ajuste manualmente el tubo del drenaje con una llave apropiada. Tenga cuidado de no sobre apretar el tubo del drenaje pues ello puede ocasionar quebraduras en el lavadero.
3. Coloque el lavadero sobre la base del gabinete verificando la ubicación correcta de la plomería y del drenaje.
4. Remueva el lavadero de la base del gabinete. Aplique una capa delgada de silicón alrededor de la base del gabinete y vuelva a colocar cuidadosamente el lavado sobre el gabinete.
5. Remueva cualquier exceso del silicón con un trapo húmedo.



For hinge/door adjustment (if applicable) refer to page 7.

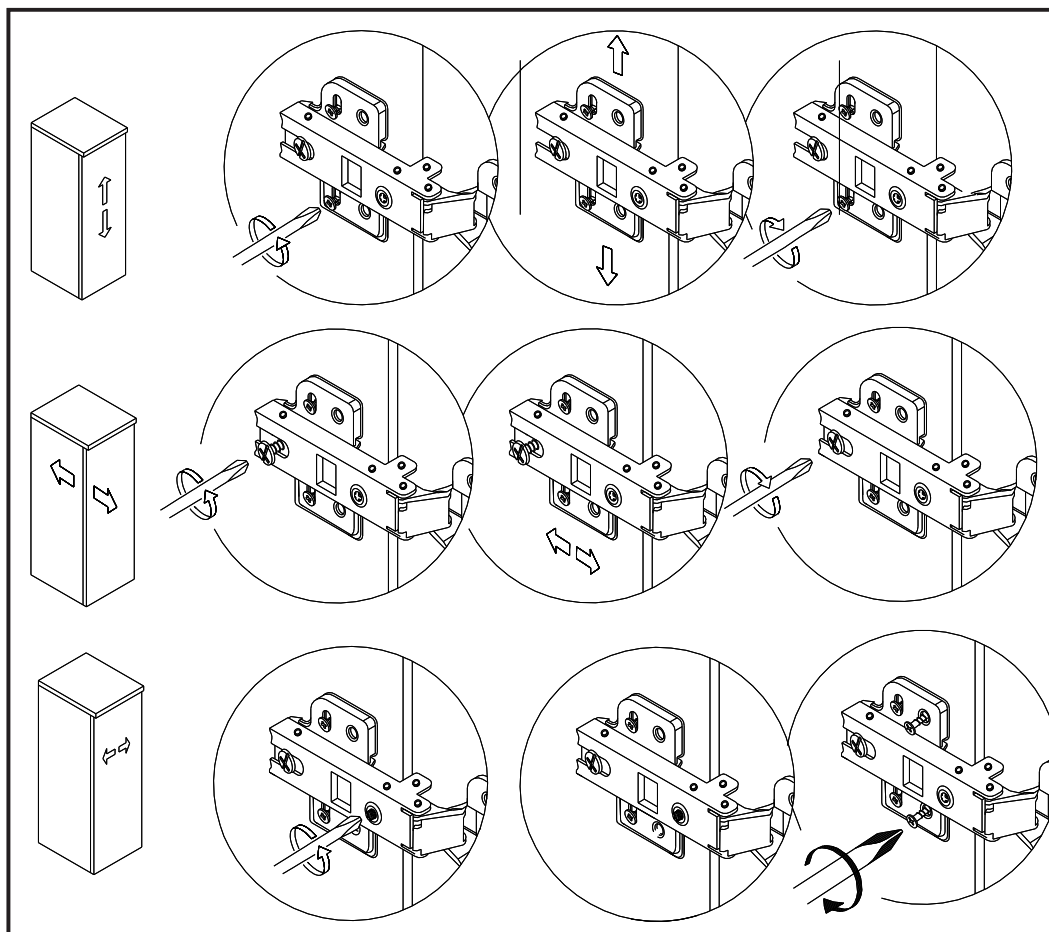
Para ajuste de bisagra/puertas (si necesario) refierase a la página 7.

Hinge/Door Adjustment (If applicable)

The door alignment was set in the factory, but it could have shifted during transit. If adjustment is needed, follow the instructions provided in the following chart.

Ajuste de bisagra/puertas (si necesario)

Las puertas son alineadas en la fábrica, pero pudieron haberse desalineado durante el envío. Si es necesario alinearlas, recomendamos ajustar las puertas según se muestra en el siguiente diagrama.





ONE YEAR LIMITED WARRANTY

1-434-MADISON

(623-4766)

19 Stulds Rd., Dayton, NJ 08810

www.swissmadison.com

Swiss Madison® products are made with quality materials and excellent craftsmanship to provide the customers a long lasting product. In the case of any defects in materials or craftsmanship under regular use were inspected in the first year of purchase, Swiss Madison® will provide replacement parts at no charge, or at its option, replace any product or part of the product that is deemed defective, under normal installation, use, service and maintenance. This warranty applies only to the original purchaser. Proof of purchase will be required in the case of a claim.

Swiss Madison® recommends the installations to be made by a licensed, professional plumber. Swiss Madison® will not be held responsible for any damage or product failure due to improper installation, misuse, or failure to use a licensed professional. Swiss Madison® is not responsible for any removal or installation cost.

This One Year Limited Warranty will be voided if:

- The installation recommendations were not followed.
- The product has been moved from it's initial place of installation.
- The product has been modified.
- The product has been subjected to improper maintenance, abuse, misuse, excessive use of chemicals, accident or other damages.

Swiss Madison® makes no implication that products comply with any or all local building or plumbing codes. It is the consumer's responsibility to determine local code compliance. This warranty extends to the original purchaser and first consumer.

Swiss Madison® is not liable for any incidental, consequential or special damages associated with the return, replacement, installation or use of your product. This includes freight costs, labor, travel time, lost profit, home damages and other contingent liabilities and costs (including, without limitation, costs associated with experts, investigations, analyses, attorneys and other professionals and services).

The Swiss Madison® warranty is a comprehensive and explicit limit of liability, and all items outside of it are not addressable by or the responsibility of Swiss Madison®. Certain states have variances regarding implied warranties and in those situations we remain fully compliant.

In the case of any questions or a claim contact us directly at 1-434-MADISON (623-4766).

WARNING: Content may contain sharp and other possibly harmful pieces and may cause hazard to children and adults, Swiss Madison® is not responsible in any way for personal damage.