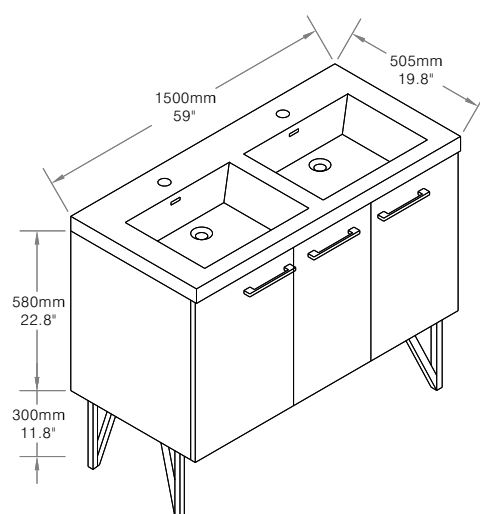
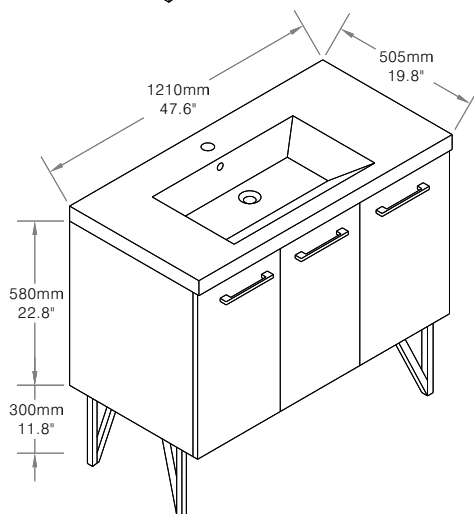
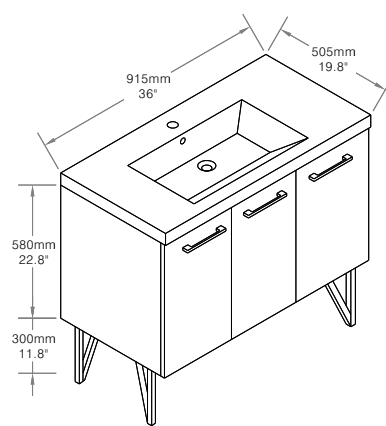
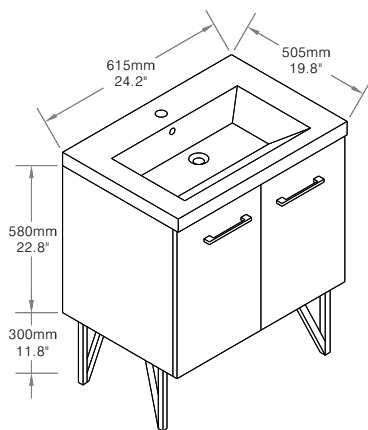


# INSTALLATION INSTRUCTIONS

*Swiss Madison*  
well made forever

SKU	NAME
SM-BV212	ANNECY 24" TWO DOORS SINGLE BATHROOM VANITY
SM-BV222	ANNECY 24" TWO DOORS SINGLE BATHROOM VANITY
SM-BV232	ANNECY 24" TWO DOORS SINGLE BATHROOM VANITY
SM-BV213	ANNECY 36" TWO DOORS ONE DRAWER SINGLE BATHROOM VANITY
SM-BV223	ANNECY 36" TWO DOORS ONE DRAWER SINGLE BATHROOM VANITY
SM-BV233	ANNECY 36" TWO DOORS ONE DRAWER SINGLE BATHROOM VANITY
SM-BV214	ANNECY 48" TWO DOORS ONE DRAWER SINGLE BATHROOM VANITY
SM-BV224	ANNECY 48" TWO DOORS ONE DRAWER SINGLE BATHROOM VANITY
SM-BV234	ANNECY 48" TWO DOORS ONE DRAWER SINGLE BATHROOM VANITY
SM-BV216	ANNECY 60" TWO DOORS ONE DRAWER SINGLE BATHROOM VANITY
SM-BV226	ANNECY 60" TWO DOORS ONE DRAWER SINGLE BATHROOM VANITY
SM-BV236	ANNECY 60" TWO DOORS ONE DRAWER SINGLE BATHROOM VANITY

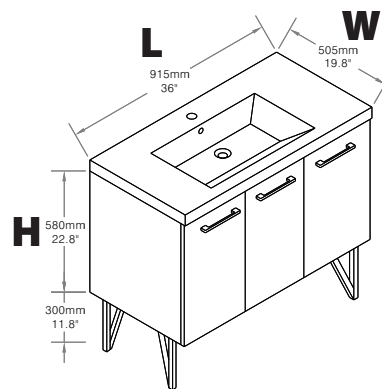
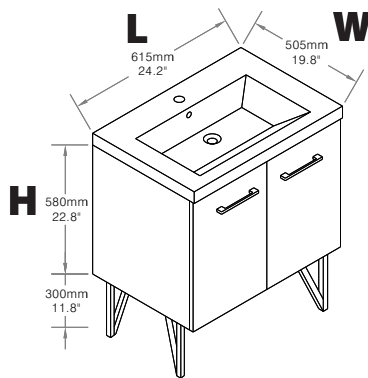


Share your pictures for a feature!  
using #SwissMadison

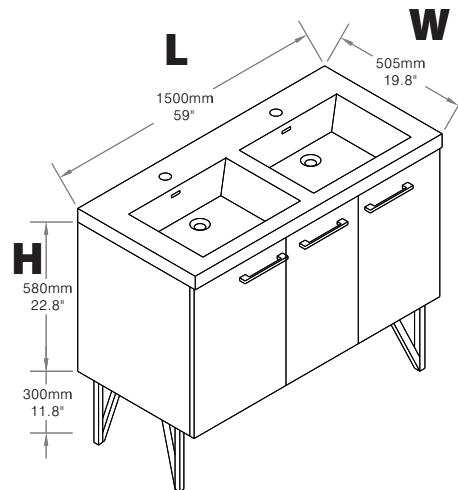
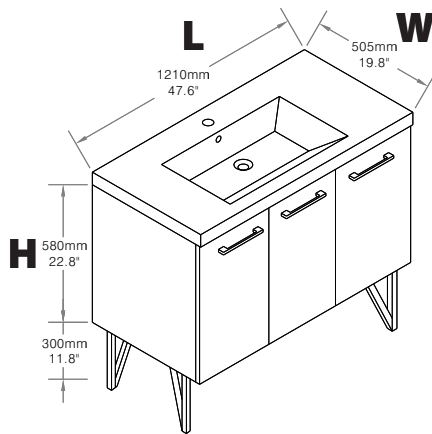




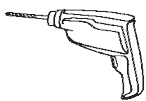
SKU	NAME	L x W x H	Basins	Installation
SM-BV212	Annecy	24.2" x 19.8" x 34.6"	Single	Freestanding/Wall Hung
SM-BV222	Annecy	24.2" x 19.8" x 34.6"	Single	Freestanding/Wall Hung
SM-BV232	Annecy	24.2" x 19.8" x 34.6"	Single	Freestanding/Wall Hung
SM-BV213	Annecy	36" x 19.8" x 34.6"	Single	Freestanding/Wall Hung
SM-BV223	Annecy	36" x 19.8" x 34.6"	Single	Freestanding/Wall Hung
SM-BV233	Annecy	36" x 19.8" x 34.6"	Single	Freestanding/Wall Hung
SM-BV214	Annecy	47.6" x 19.8" x 34.6"	Single	Freestanding/Wall Hung
SM-BV224	Annecy	47.6" x 19.8" x 34.6"	Single	Freestanding/Wall Hung
SM-BV234	Annecy	47.6" x 19.8" x 34.6"	Single	Freestanding/Wall Hung
SM-BV216	Annecy	59" x 19.8" x 34.6"	Double	Freestanding/Wall Hung
SM-BV226	Annecy	59" x 19.8" x 34.6"	Double	Freestanding/Wall Hung
SM-BV236	Annecy	59" x 19.8" x 34.6"	Double	Freestanding/Wall Hung



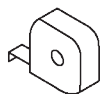
Measures: millimeter [inch]  
Medidas: milímetros [pulgadas]



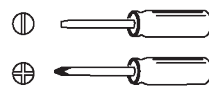
## REQUIRED TOOLS



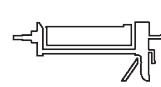
Drill



Measuring Tape



Screwdriver



Silicone



Level



Pencil



Drop Cloth

**Before Installation**



1. Read the complete instruction manual before beginning installation.

2. This vanity should be installed by an experienced plumber.



3. Not all drawings on this manual are drawn to scale. Please refer to the model chart.

4. Drain pipe and drain trap are not supplied. Connect to an existing drain pipe.

5. Always use drop cloth to protect vanity from damage during installation.



6. Two people are recommended to install and move this product.

7. If you will install your vanity on the floor, follow instruction on page 3.

8. If you will install your vanity on the wall, follow instructions on page 5.

**Antes de instalar**



1. Lea el manual de instrucciones completo antes de comenzar la instalación.

2. Esta vanidad debe ser instalado por un experimentado plomero.

3. No todos los dibujos en este manual han sido dibujados con exactitud. Por favor referirse a la tabla de modelos.



4. Tubo de desagüe y sifón no se suministran. Conectese a la tubería del drenaje existente.

5. Siempre use un trapo para proteger la vanidad de daños mientras la instalación.

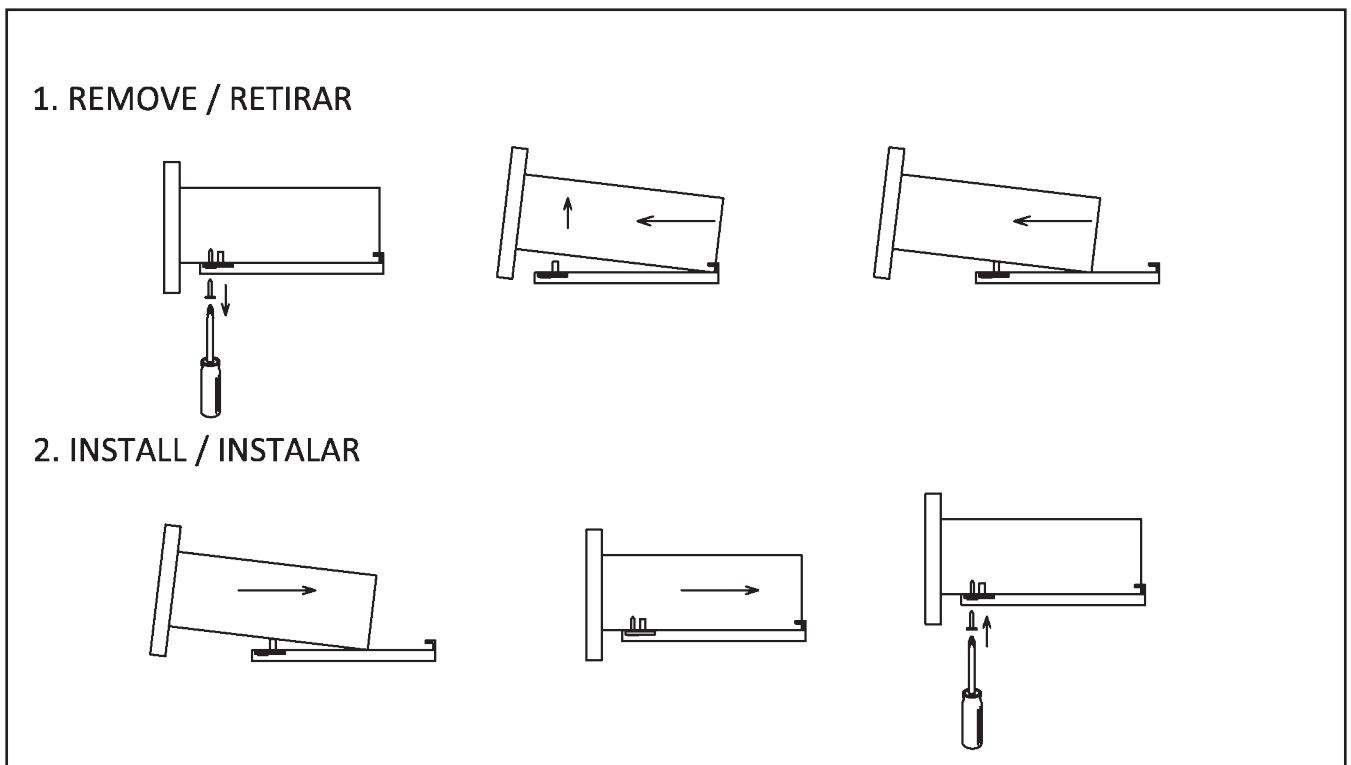


6. Dos personas son recomendadas para la instalación y movimiento de este producto.

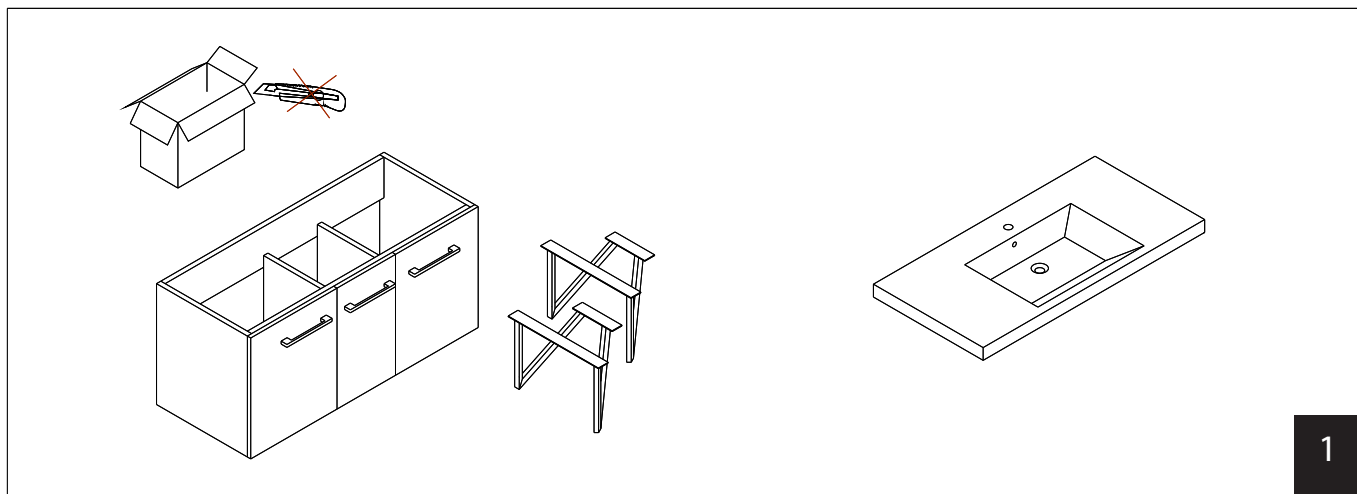
7. Si desea instalar su vanidad en el piso, siga las instrucciones de la página 3.

8. Si desea instalar su vanidad en la pared, siga las instrucciones de la página 5.

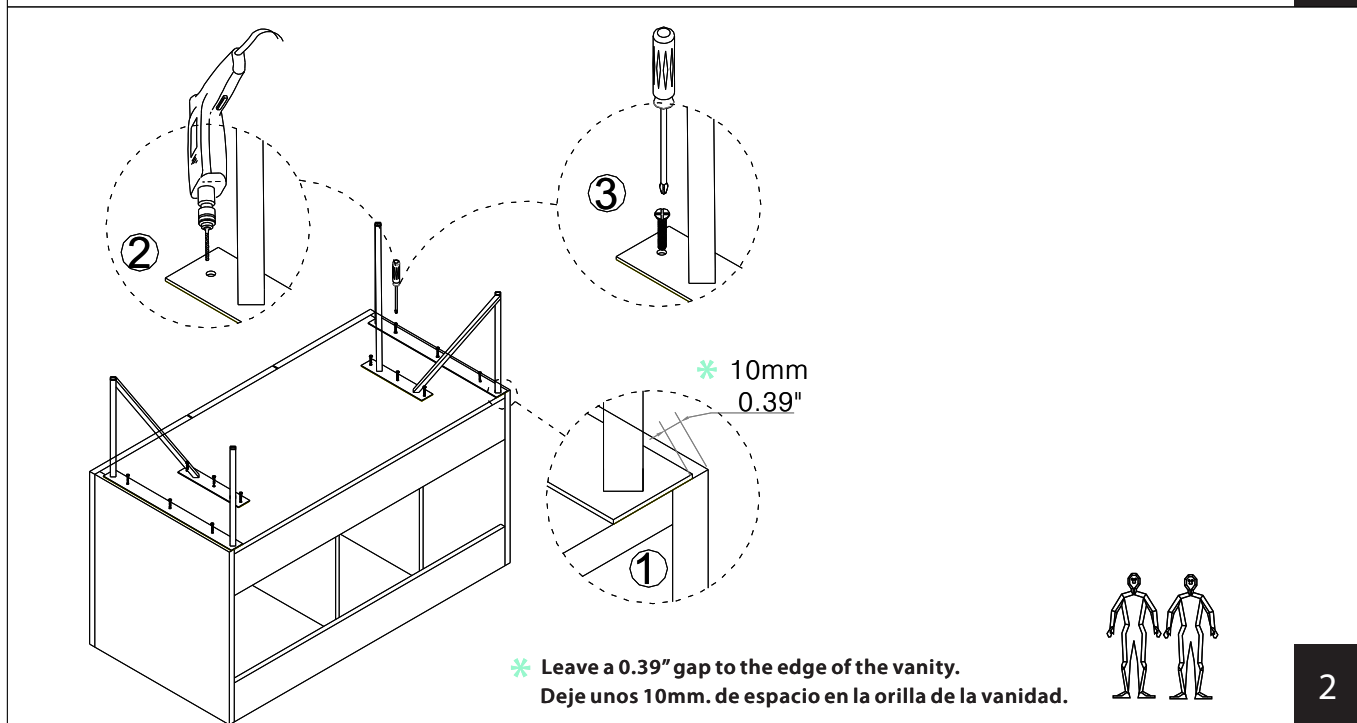
**Drawer removal (if applicable)**



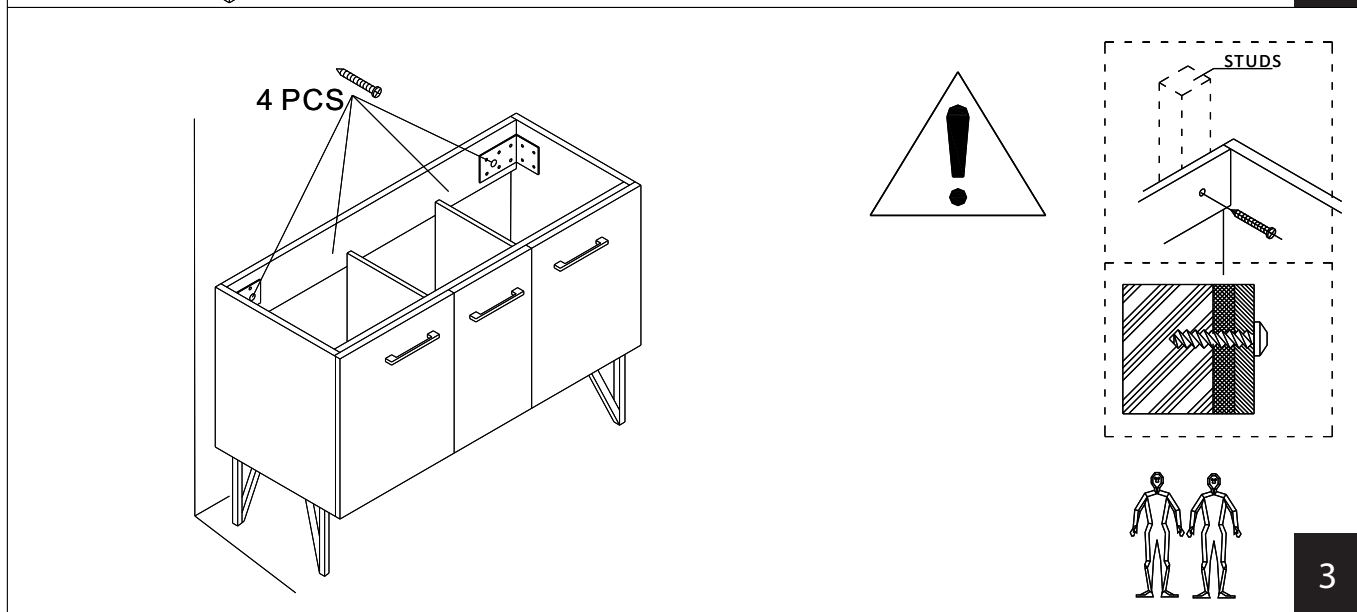
FREESTANDING VANITY INSTALLATION



1



2



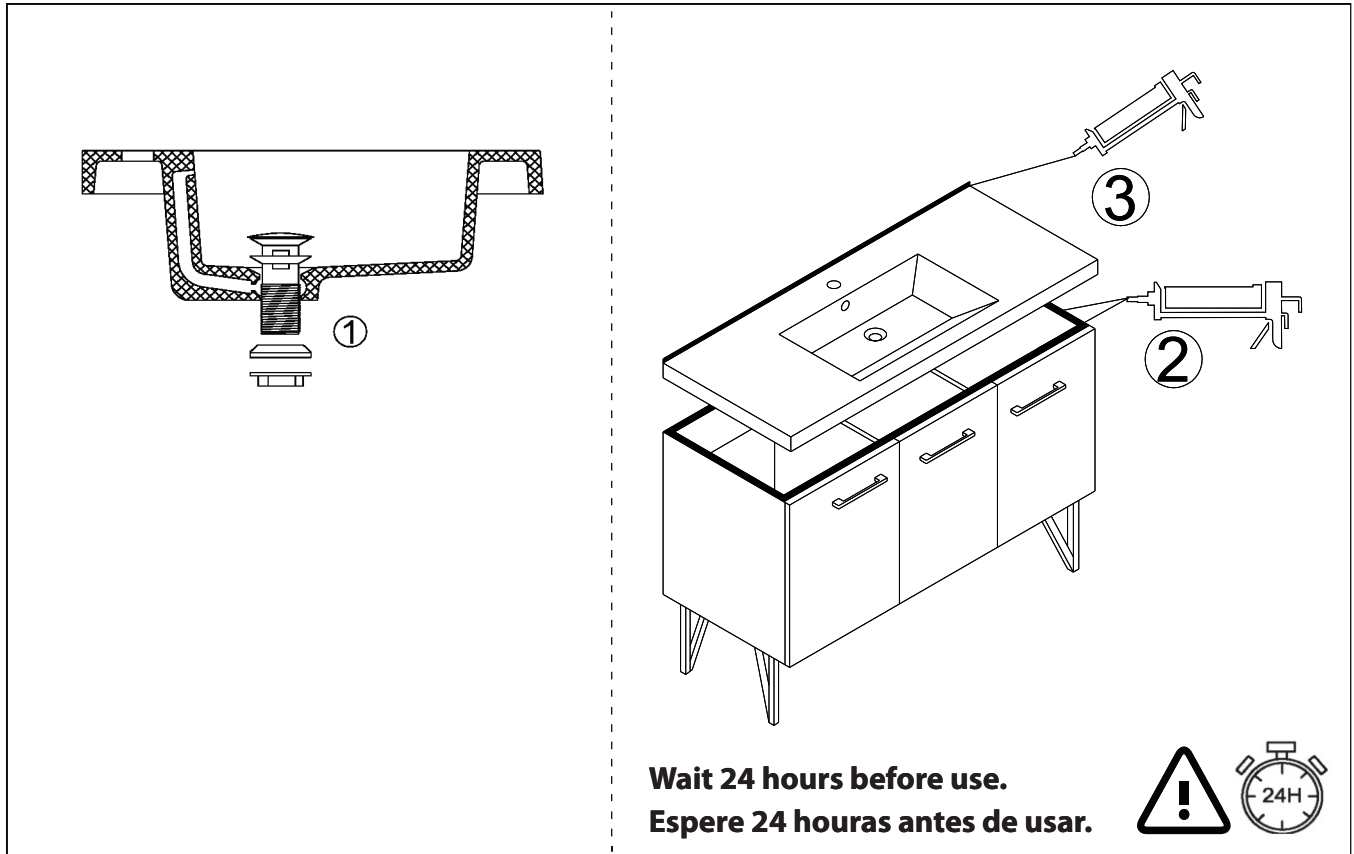
3

## Vanity Top Installation

1. Install the faucet per manufacturer's installation instructions.
2. Hand tighten the pop-up drain with a wrench. Be careful not to over-tightening the pop-up drain. Over tightening may cause cracks on the marble top.
3. Set the vanity top on top of the vanity base, checking the location of the p-trap and drain.
4. Remove vanity top from vanity base. Apply a thin bead of silicone compound around the vanity base and set the vanity top carefully in place.
5. Remove any excess silicone compound with a wet rag.

## Instalación del lavadero

1. Instale las llaves de acuerdo con las instrucciones de instalación del fabricante.
2. Ajuste manualmente el tubo del drenaje con una llave apropiada. Tenga cuidado de no sobre apretar el tubo del drenaje pues ello puede ocasionar quebraduras en el lavadero.
3. Coloque el lavadero sobre la base del gabinete verificando la ubicación correcta de la plomería y del drenaje.
4. Remueva el lavadero de la base del gabinete. Aplique una capa delgada de silicón alrededor de la base del gabinete y vuelva a colocar cuidadosamente el lavado sobre el gabinete.
5. Remueva cualquier exceso del silicón con un trapo húmedo.



For hinge/door adjustment (if applicable) refer to page 7.  
Para ajuste de bisagra/puertas (si necesario) refierase a la página 7.

WALL HUNG VANITY INSTALLATION

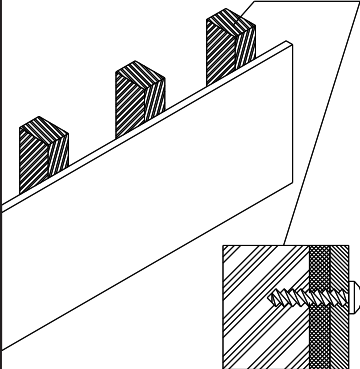
Select hardware that is best suited for your wall type.

**Important:** Use “pan head” or “round head” screws with seat washers. Seat screws tightly against back rail or panel without driving into back rail or panel material.

Seleccione la Herrajería que más adecuada para el tipo de su pared.

**Importante:** Use tornillos de “cabeza plana biselada” or “cabeza redonda” con arandelas de asiento. Coloque los tornillos firmemente contra el panel o el riel trasero sin insertarlos en el panel o en el riel.

**STUDS/MONTANTES**

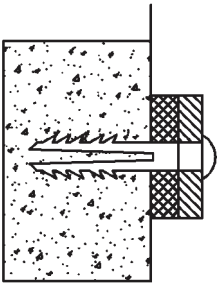


**STUDS:** Secure to wall with #10” x 3” screws at stud location. Locate at least 2 wall studs.

**MONTANTES:** Fijelo a la pared con los tornillos de #10” x 3” pulgadas en los montantes.

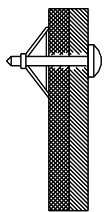
- Use at least 4 wall anchors when installing a 24” and 30” cabinet.
- Use at least 6 wall anchors when installing a 36” and 48” cabinet.

- Use por lo menos 4 anclajes de pared cuando instale un gabinete de 24” o 30” pulgadas.
- Use por lo menos 6 anclajes de pared cuando instale un gabinete de 36” o 48” pulgadas



**CONCRETE:** Drill 1/4” holes, insert #10 wall anchors and secure to wall with #10” x 3” screws.

**CONCRETO:** Taladre orificios de 1/4” pulgadas, inserte anclas de expansión de #10 y fijelo ala pared con tornillos de #10” x 3” pulgadas.

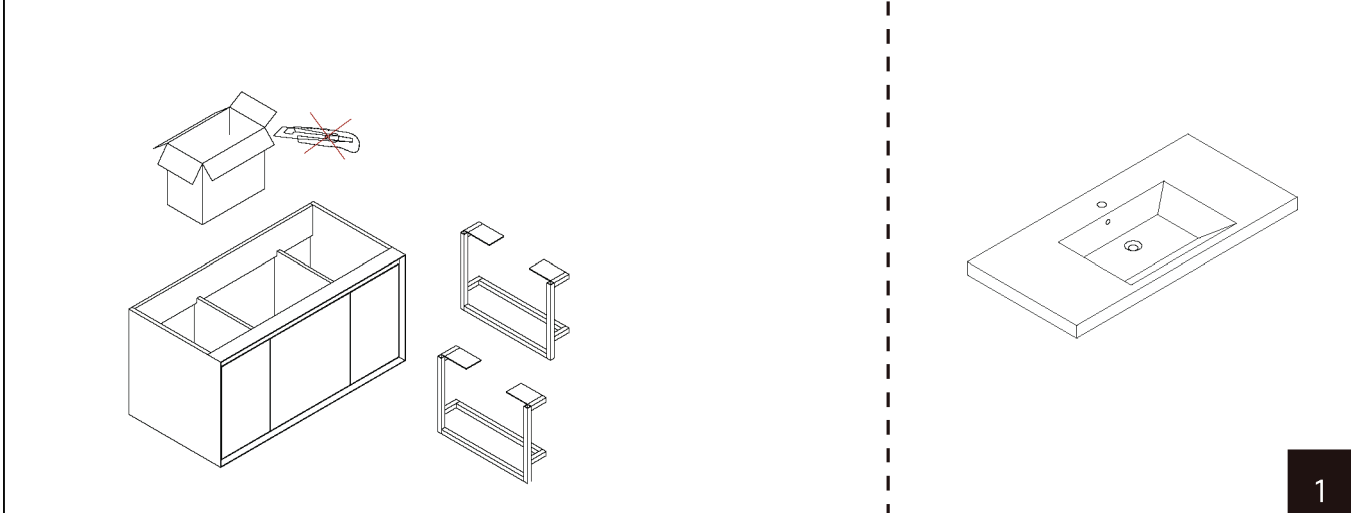


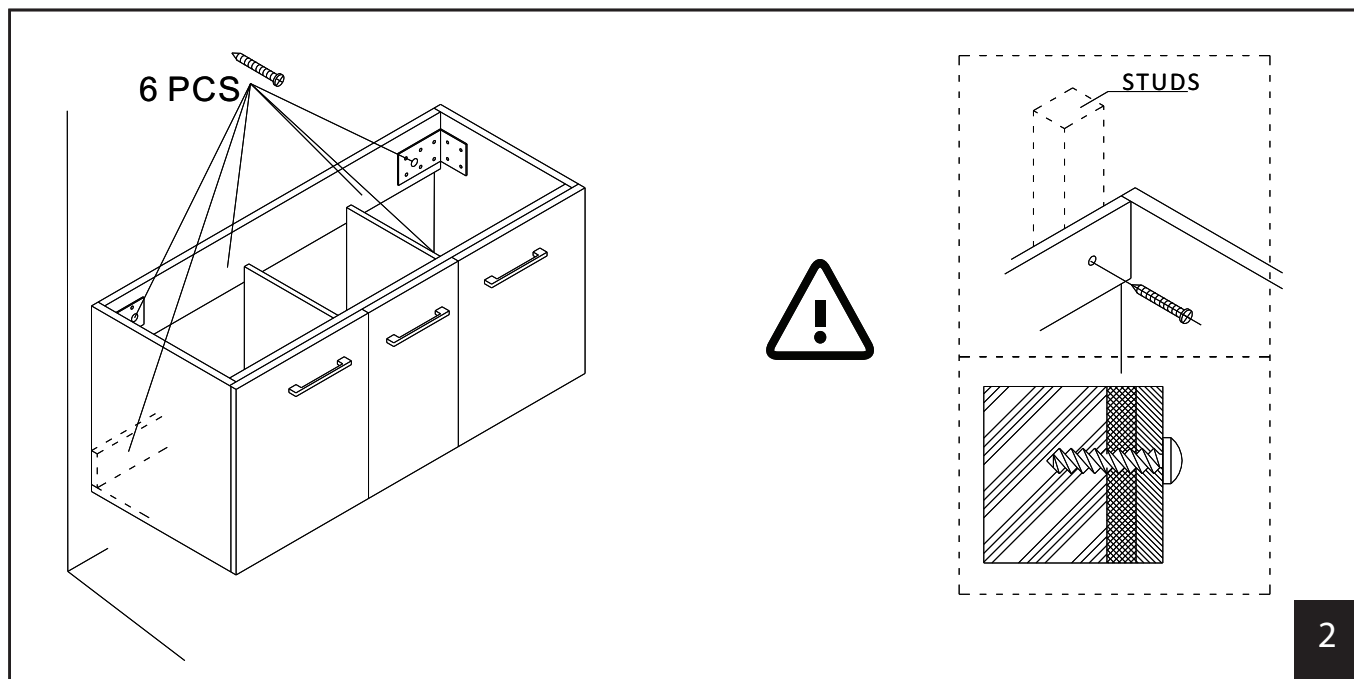
**DRYWALL:** Drill holes and secure to wall with toggle bolts.

**Note:** Use toggle bolts only when cabinet cannot be attached to a wall stud.

**PANEL DE YESO:** Taladre los orificios y fije la unidad a la pared con pernos acodillados.

**Nota:** Use pernos acodillados sólo cuando el gabinete no se pueda fijar a los montantes de la pared





2

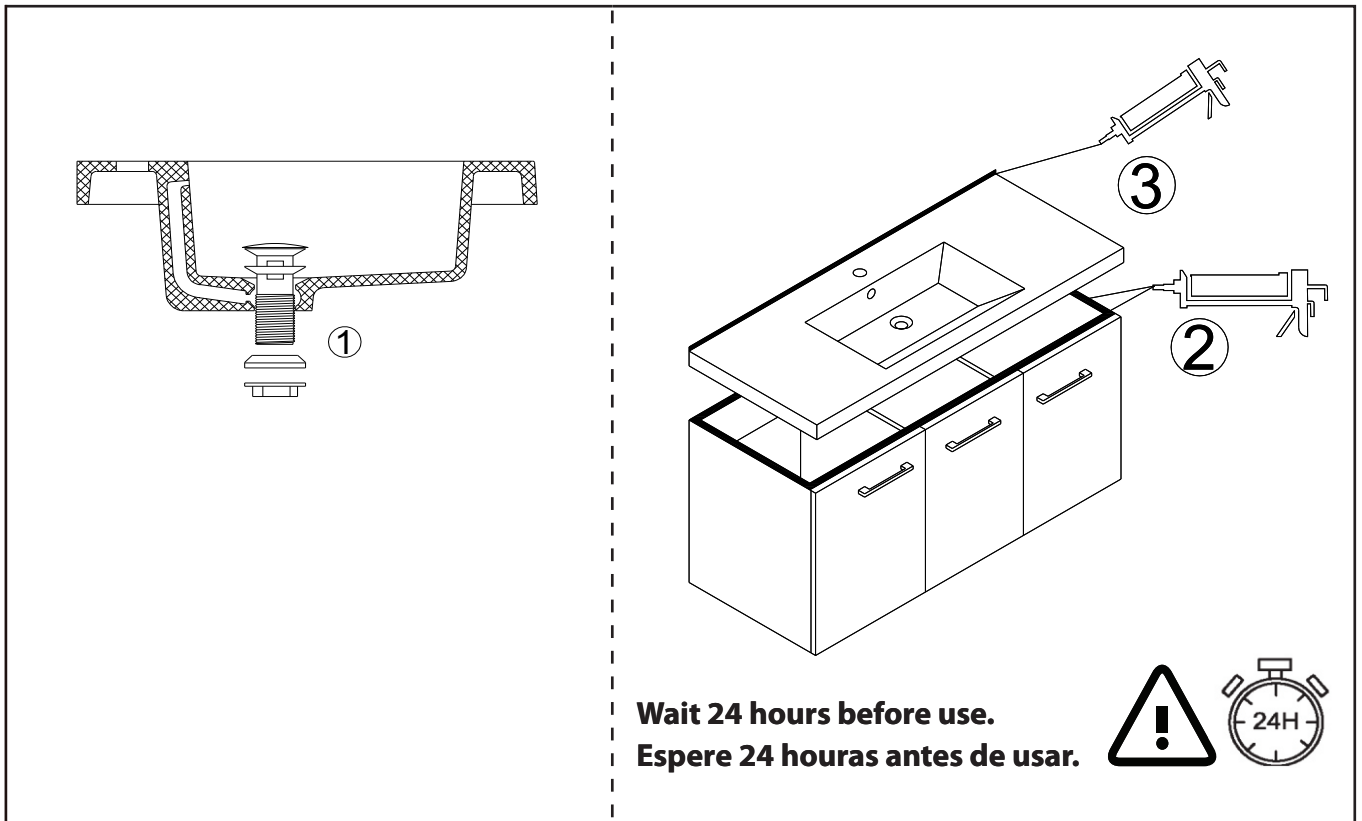
## Vanity Top Installation

1. Install the faucet per manufacturer's installation instructions.
2. Hand tighten the pop-up drain with a wrench. Be careful not to over-tightening the pop-up drain. Over tightening may cause cracks on the marble top.
3. Set the vanity top on top of the vanity base, checking the location of the p-trap and drain.
4. Remove vanity top from vanity base. Apply a thin bead of silicone compound around the vanity base and set the vanity top carefully in place.
5. Remove any excess silicone compound with a wet rag.

## Instalación del lavadero

1. Instale las llaves de acuerdo con las instrucciones de instalación del fabricante.
2. Ajuste manualmente el tubo del drenaje con una llave apropiada. Tenga cuidado de no sobre apretar el tubo del drenaje pues ello puede ocasionar quebraduras en el lavadero.
3. Coloque el lavadero sobre la base del gabinete verificando la ubicación correcta de la plomería y del drenaje.
4. Remueva el lavadero de la base del gabinete. Aplique una capa delgada de silicón alrededor de la base del gabinete y vuelva a colocar cuidadosamente el lavado sobre el gabinete.
5. Remueva cualquier exceso del silicón con un trapo húmedo.



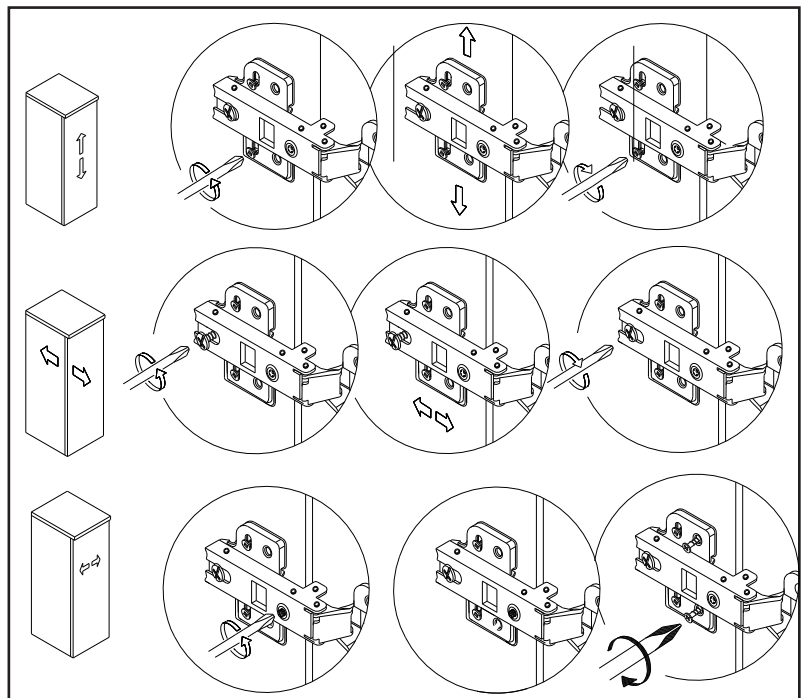


**Hinge/Door Adjustment (If applicable)**

The door alignment was set in the factory, but it could have shifted during transit. If adjustment is needed, follow the instructions provided in the following chart.

**Ajuste de bisagra/puertas (si necesario)**

Las puertas son alineadas en la fábrica, pero pudieron haberse desalineado durante el envío. Si es necesario alinearlas, recomendamos ajustar lass puertas según se muestra en el siguiente diagrama.





## ONE YEAR LIMITED WARRANTY

1-434-MADISON

(623-4766)

19 Stulds Rd., Dayton, NJ 08810

[www.swissmadison.com](http://www.swissmadison.com)

Swiss Madison® products are made with quality materials and excellent craftsmanship to provide the customers a long lasting product. In the case of any defects in materials or craftsmanship under regular use were inspected in the first year of purchase, Swiss Madison® will provide replacement parts at no charge, or at its option, replace any product or part of the product that is deemed defective, under normal installation, use, service and maintenance. This warranty applies only to the original purchaser. Proof of purchase will be required in the case of a claim.

Swiss Madison® recommends the installations to be made by a licensed, professional plumber. Swiss Madison® will not be held responsible for any damage or product failure due to improper installation, misuse, or failure to use a licensed professional. Swiss Madison® is not responsible for any removal or installation cost.

This One Year Limited Warranty will be voided if:

- The installation recommendations were not followed.
- The product has been moved from it's initial place of installation.
- The product has been modified.
- The product has been subjected to improper maintenance, abuse, misuse, excessive use of chemicals, accident or other damages.

Swiss Madison® makes no implication that products comply with any or all local building or plumbing codes. It is the consumer's responsibility to determine local code compliance. This warranty extends to the original purchaser and first consumer.

Swiss Madison® is not liable for any incidental, consequential or special damages associated with the return, replacement, installation or use of your product. This includes freight costs, labor, travel time, lost profit, home damages and other contingent liabilities and costs (including, without limitation, costs associated with experts, investigations, analyses, attorneys and other professionals and services).

The Swiss Madison® warranty is a comprehensive and explicit limit of liability, and all items outside of it are not addressable by or the responsibility of Swiss Madison®. Certain states have variances regarding implied warranties and in those situations we remain fully compliant.

In the case of any questions or a claim contact us directly at 1-434-MADISON (623-4766).

**WARNING:** Content may contain sharp and other possibly harmful pieces and may cause hazard to children and adults, Swiss Madison® is not responsible in any way for personal damage.