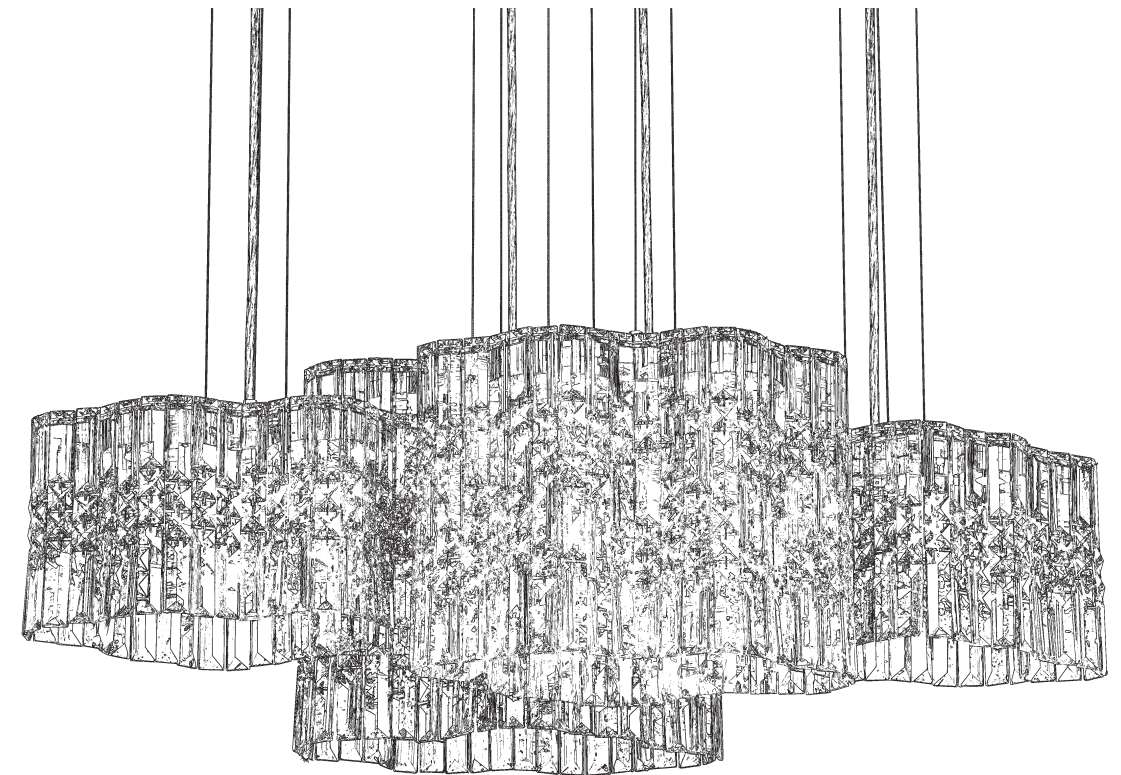


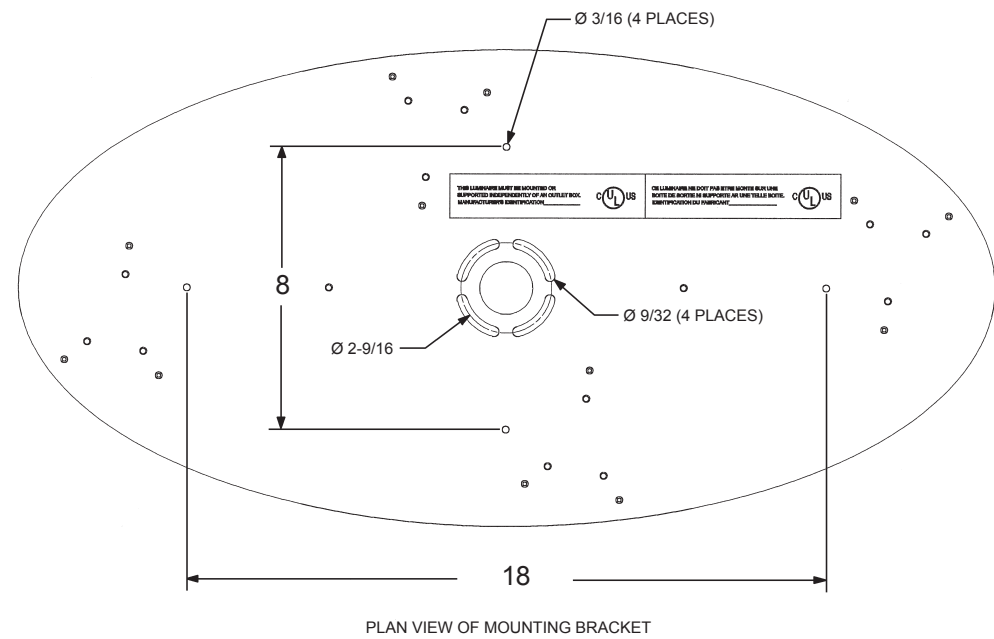


SELENE
SPU160N- ____ _A

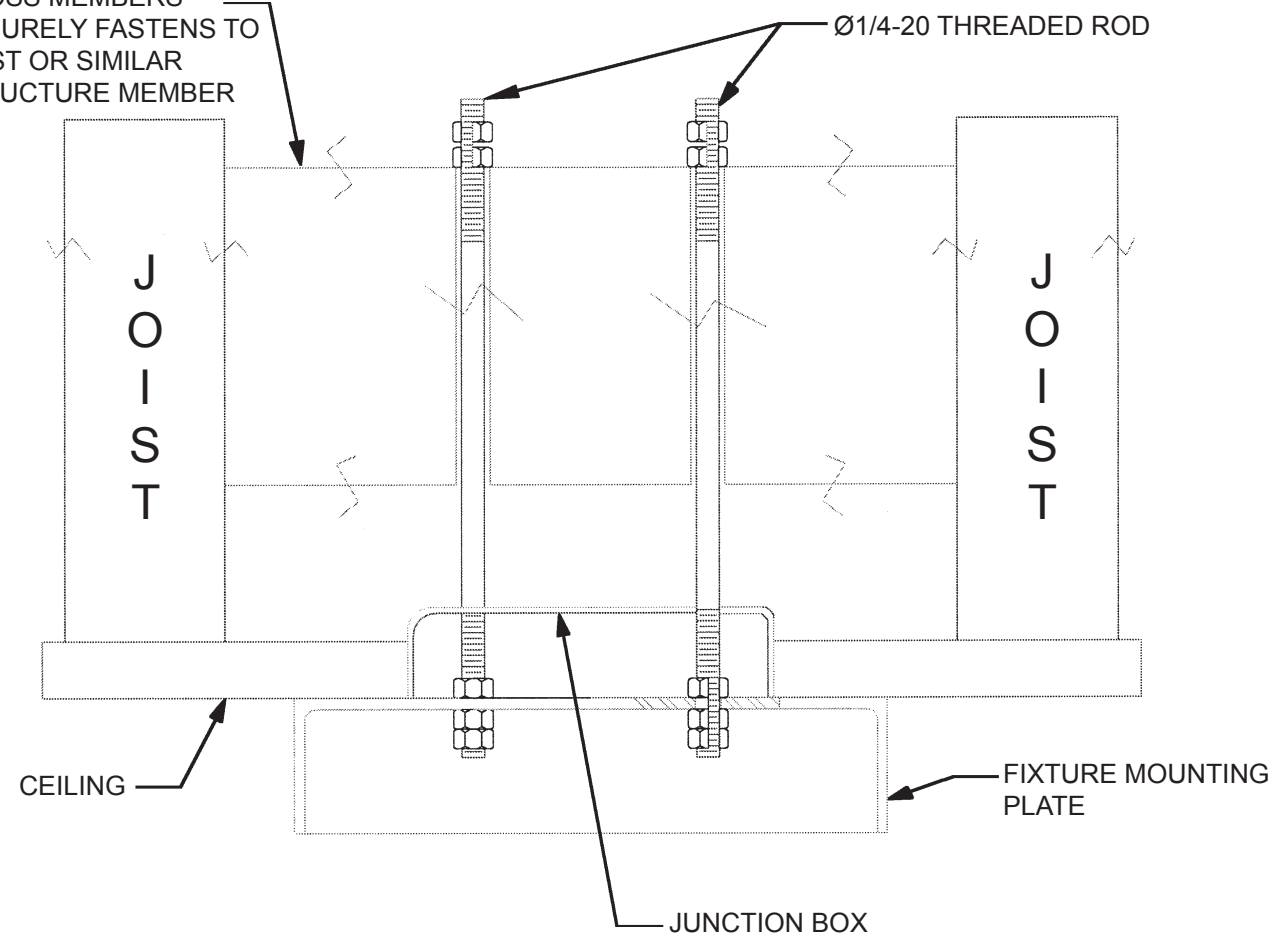


							110-120 V	67 W

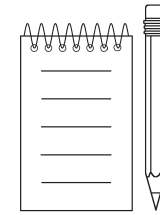
NOTE: INSTALLER IS SOLELY RESPONSIBLE FOR PROPER MOUNTING!

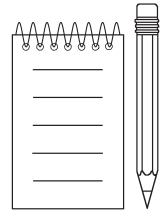


CROSS MEMBERS SECURELY FASTENS TO JOIST OR SIMILAR STRUCTURE MEMBER



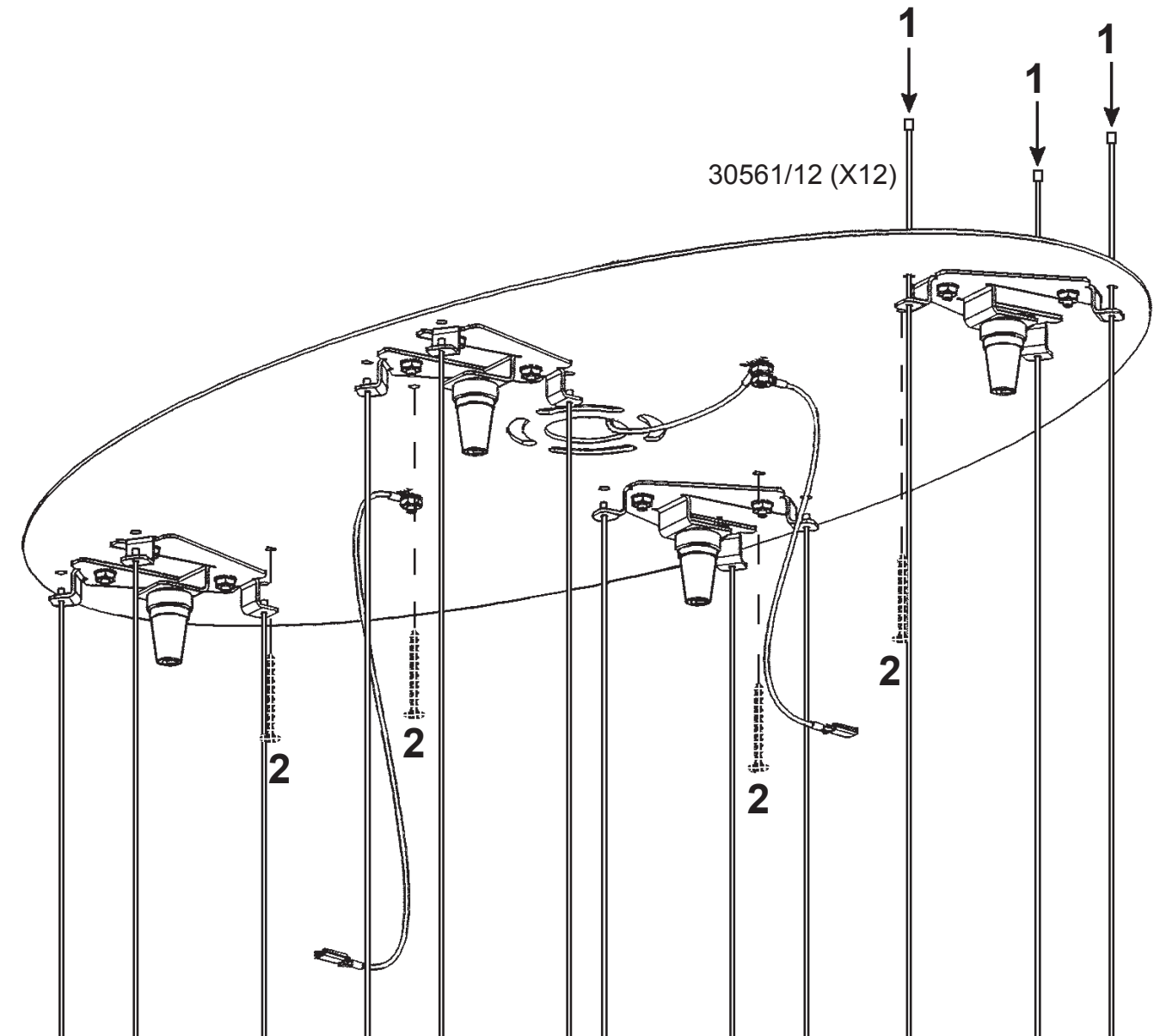
WARNING:
MOUNTING CONFIGURATION AND HARDWARE MUST HOLD 4X THE WEIGHT OF THE FIXTURE. MOUNTING DESIGN AND FIXTURE INSTALLATION SHOULD BE CONDUCTED BY A QUALIFIED LICENSED PROFESSIONAL.

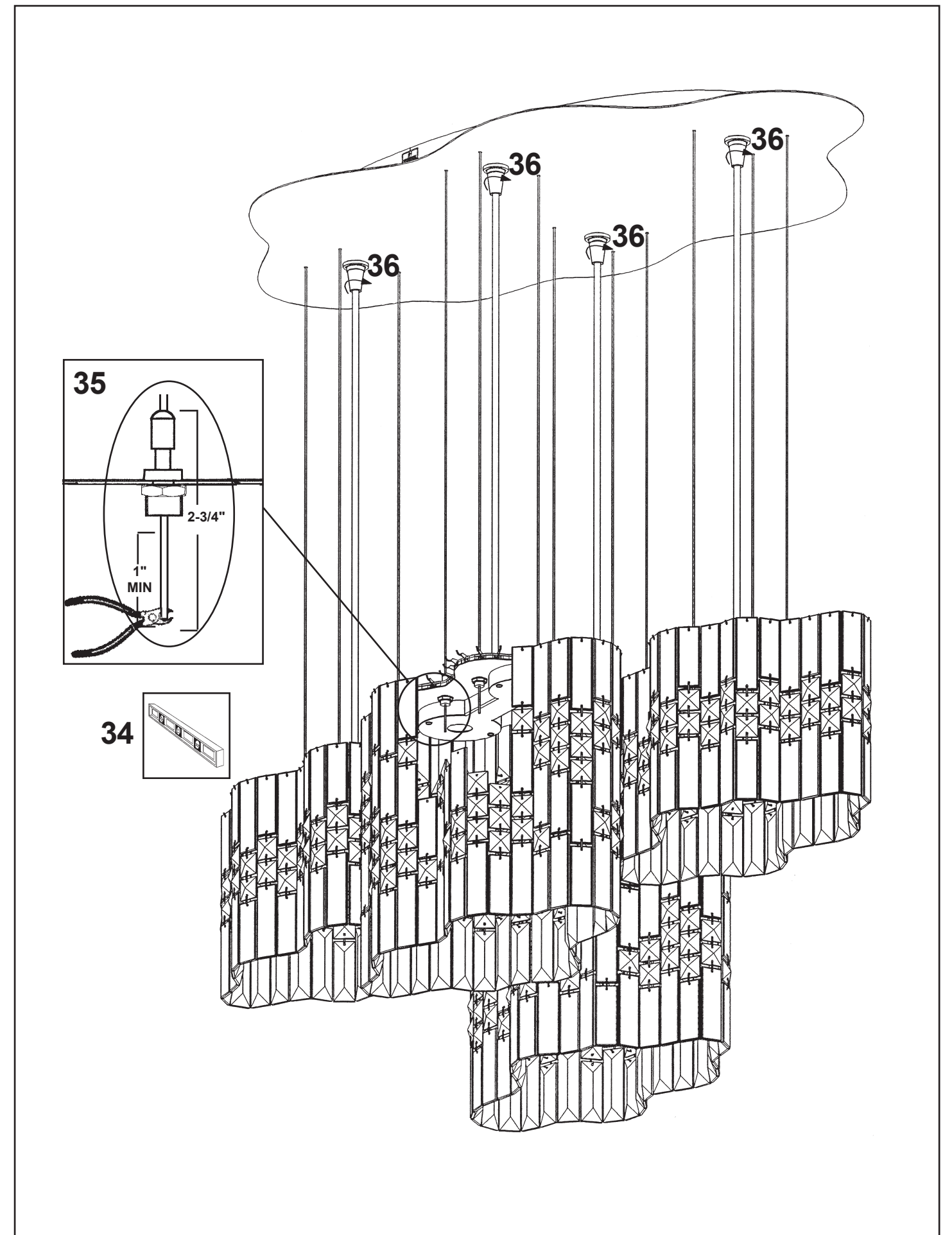
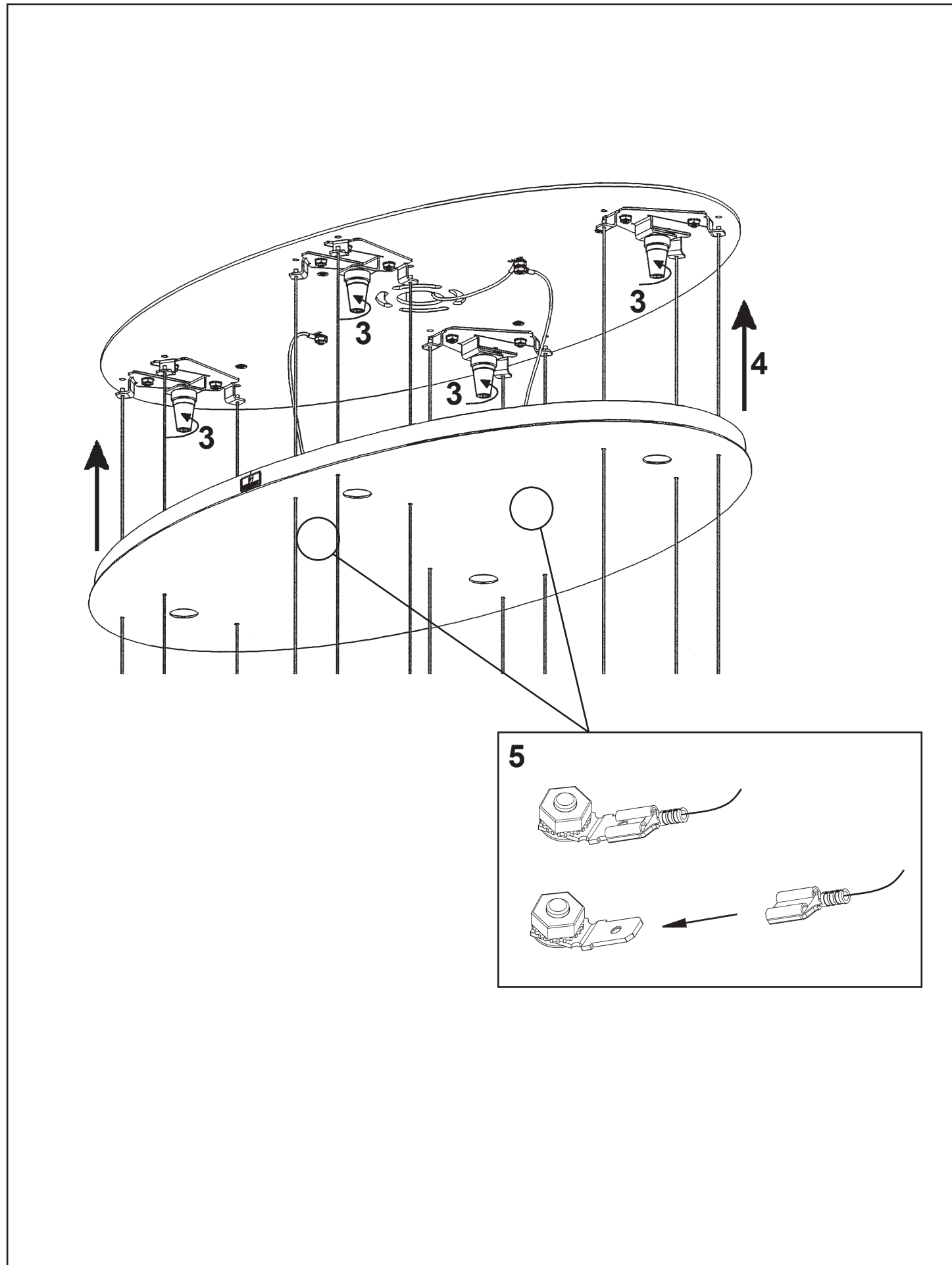


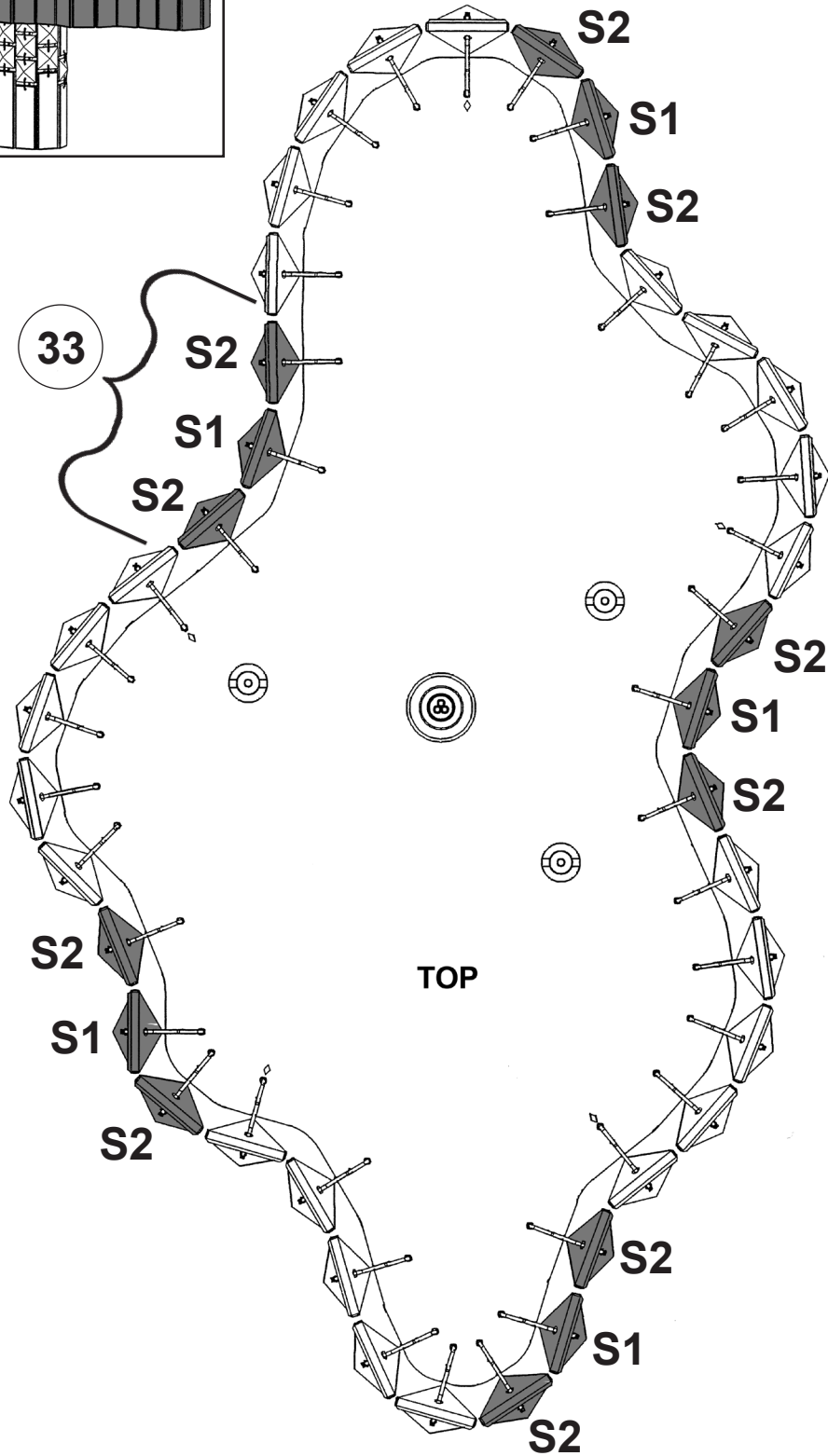
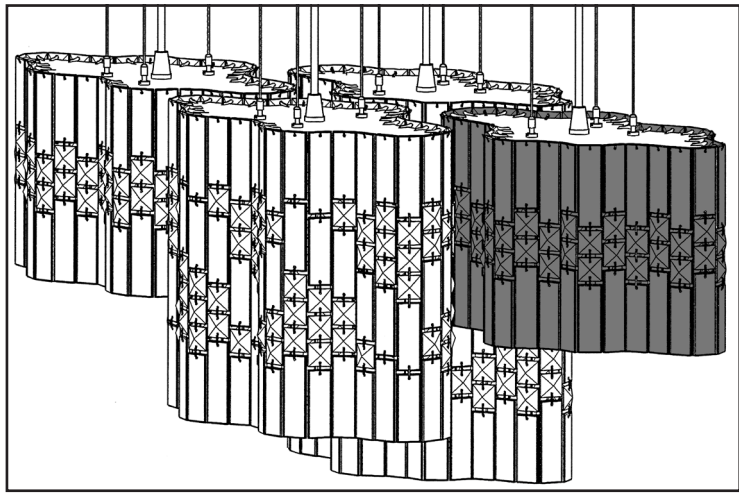


12 X  : 30561/12

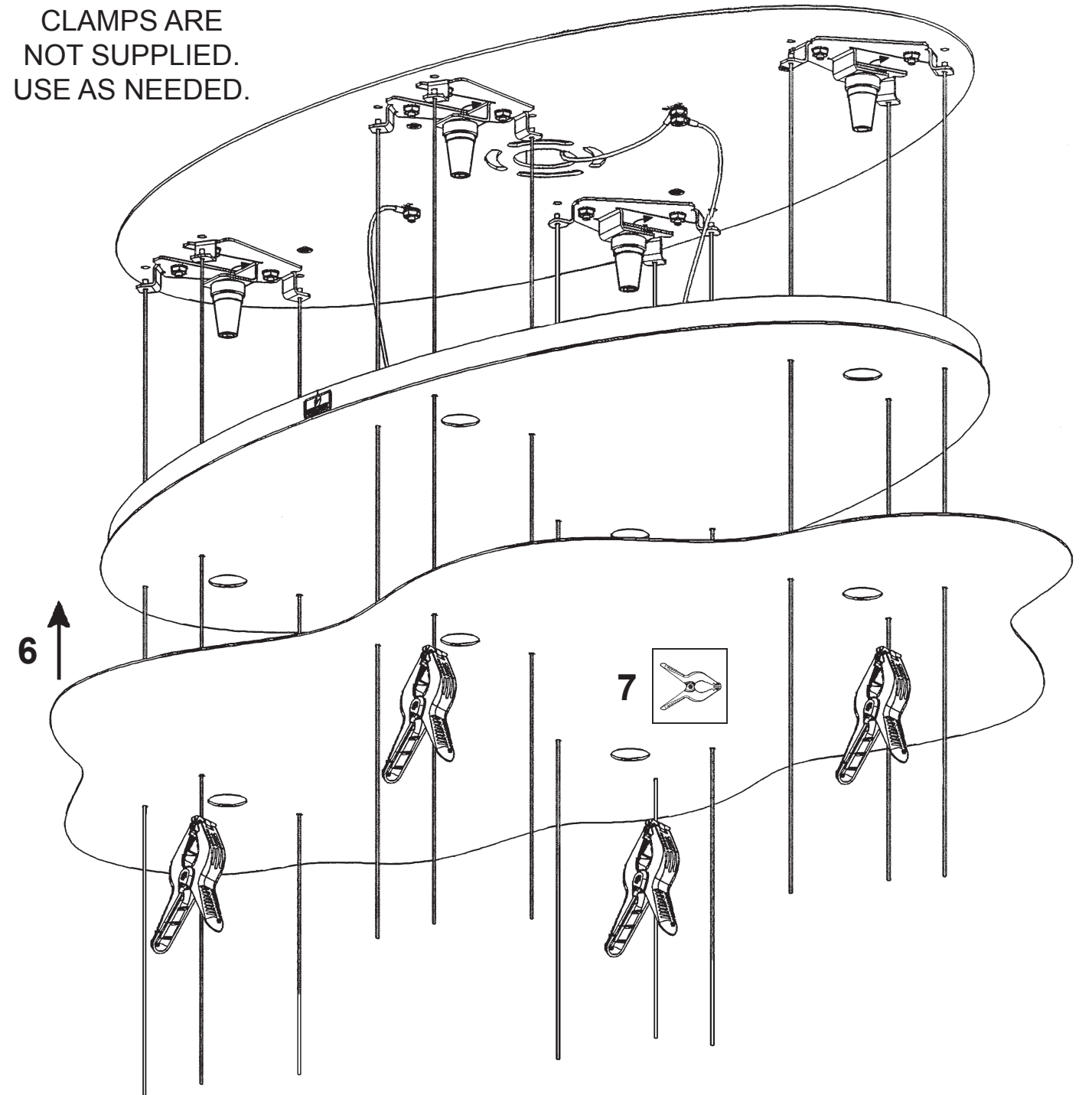
WARNING: THIS LUMINAIRE MUST BE MOUNTED OR SUPPORTED INDEPENDENTLY OF AN OUTLET BOX.
MISE EN GARDE: CE LUMINAIRE NE DOIT PAS ÊTRE MONTÉ SUR UNE BOÎTE DE SORTIE NI SUPPORTÉ PAR UNE TELLE BOÎTE.

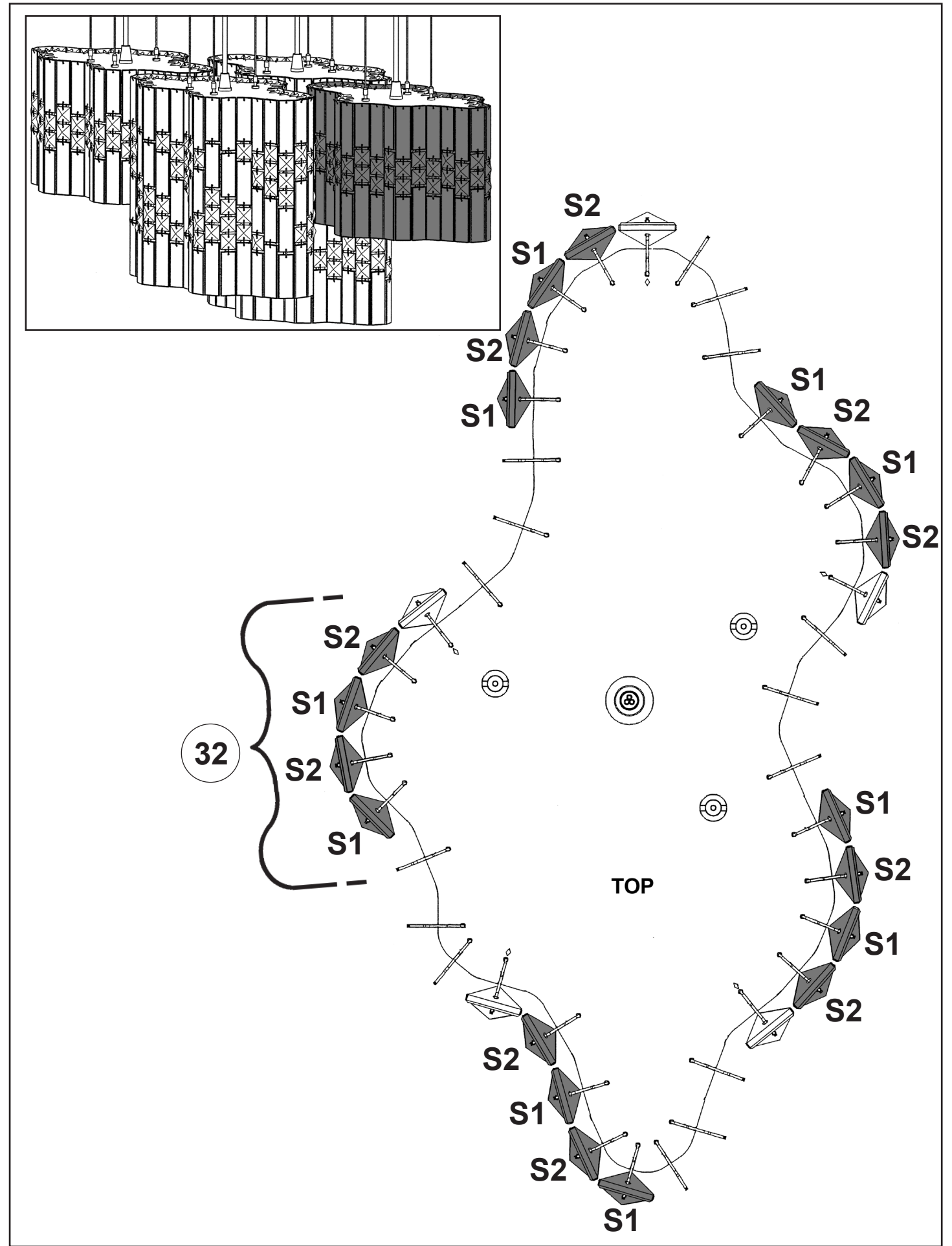
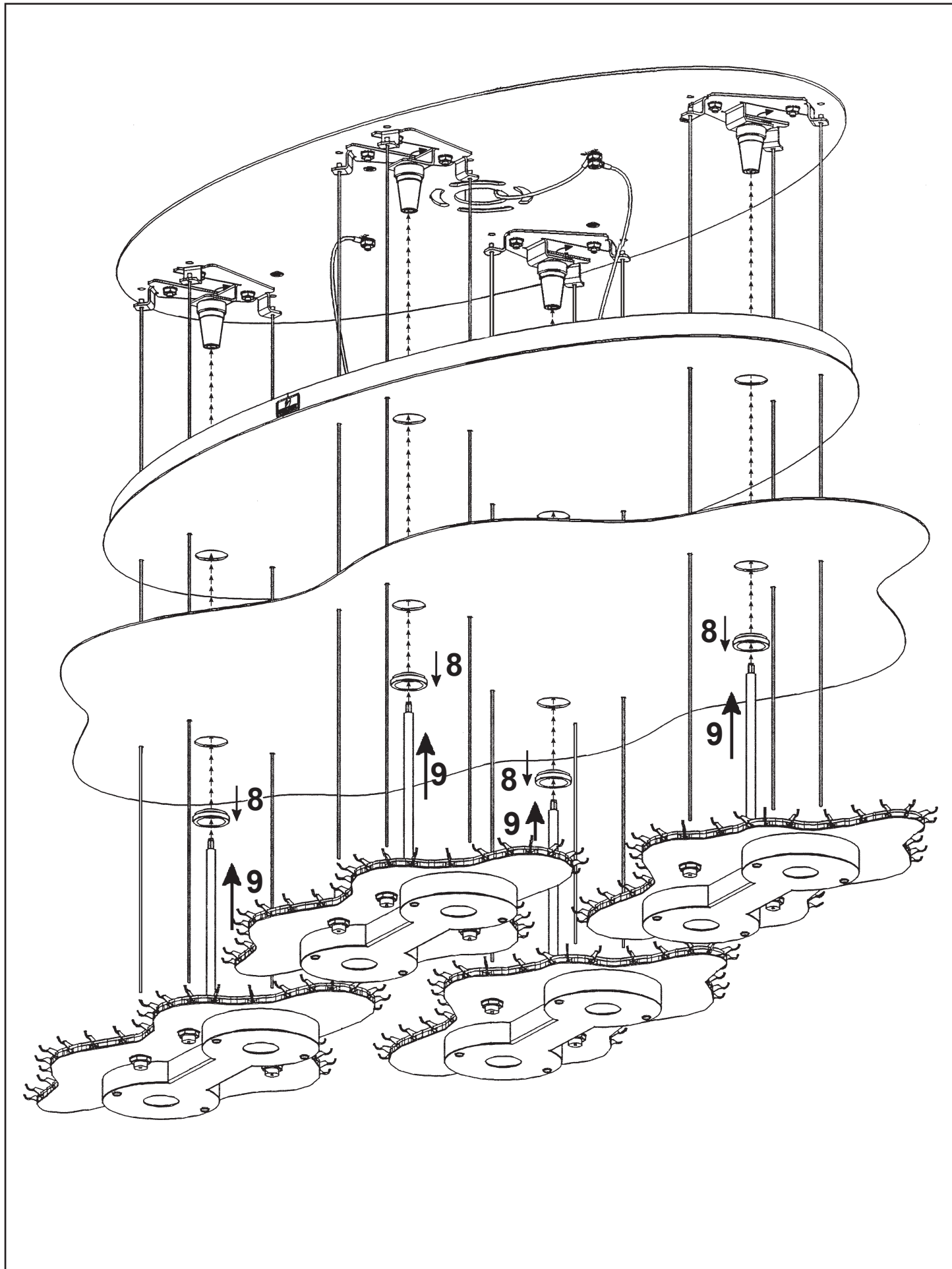


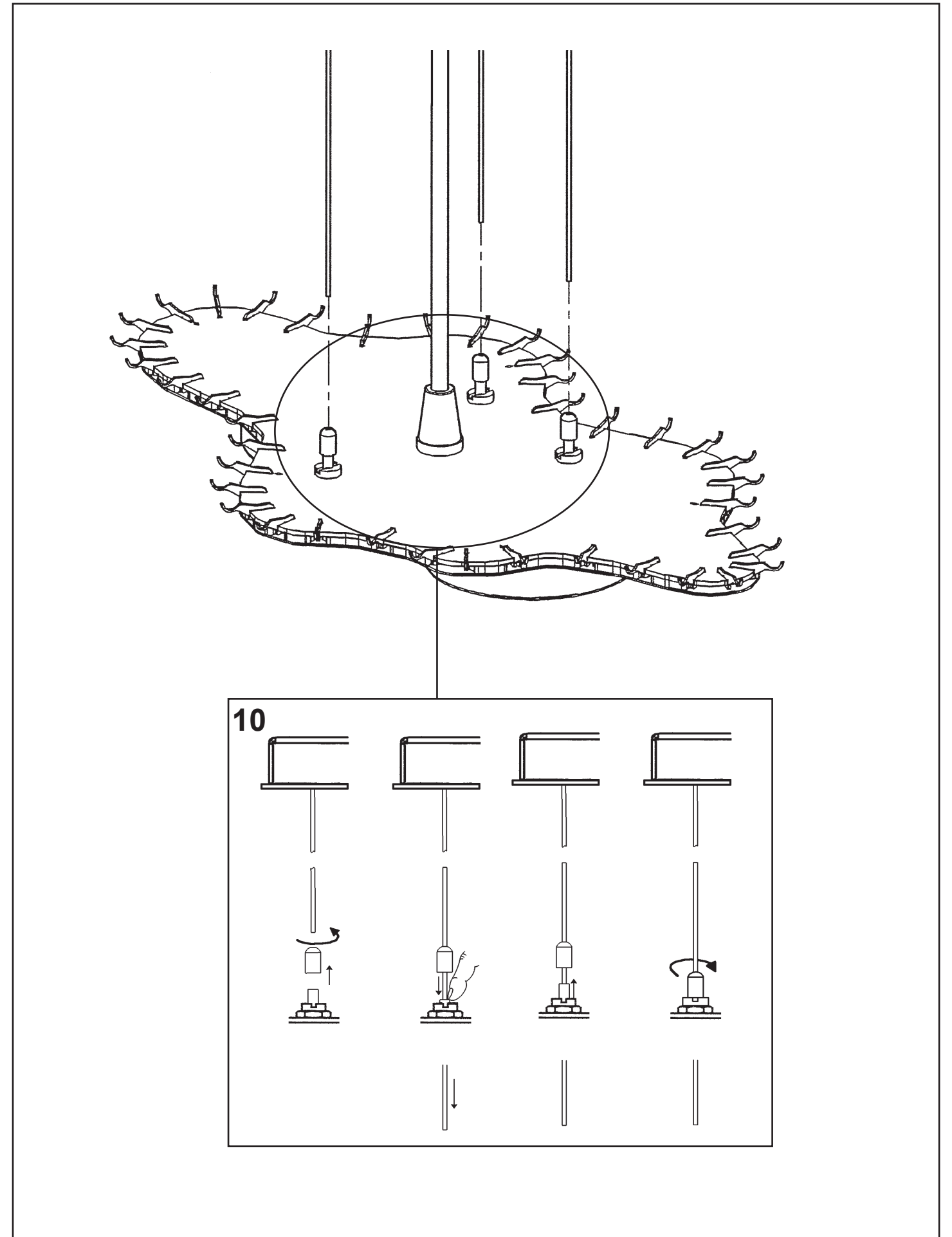
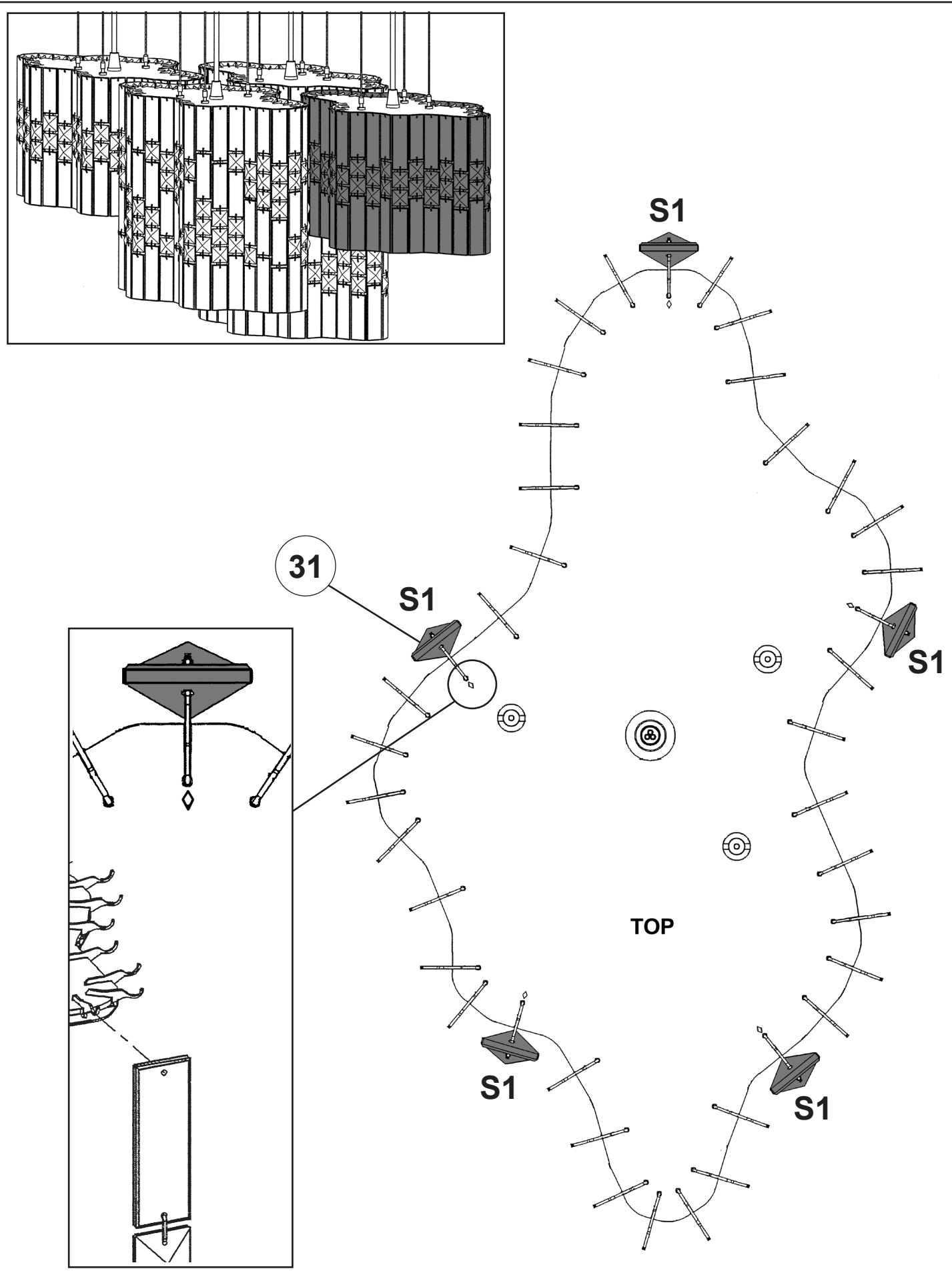


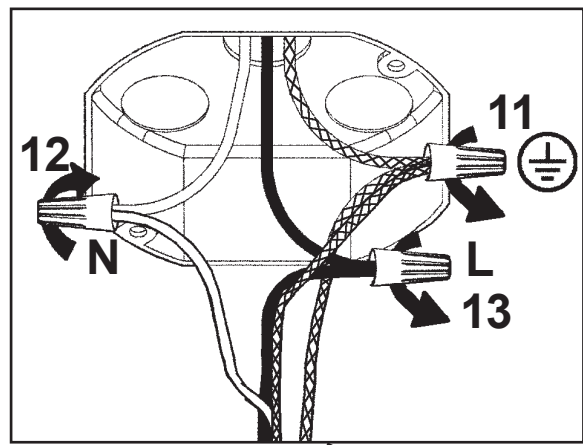


NOTE:
CLAMPS ARE
NOT SUPPLIED.
USE AS NEEDED.









11



12



13

