

Sorrento Series



Materials

Stainless Steel

Specifications

3" extension from wall

2" base

Concealed screw mounting with slotted, standard head set screw

Plated steel mounting brackets with two screws each

Nylon drywall anchors included

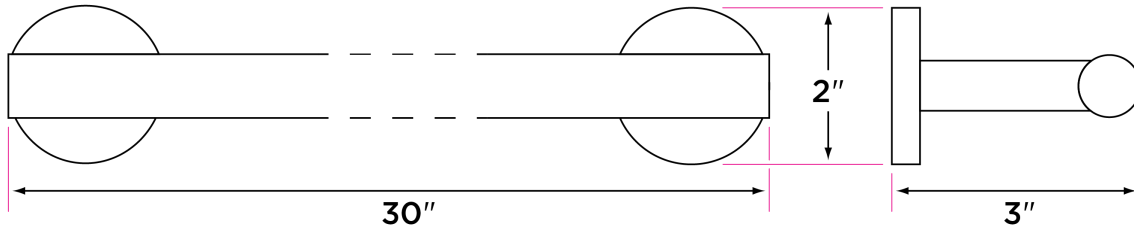
Finishes

- 15 Satin Nickel
- 26 Polished Chrome
- FBL Flat Black
- SB Satin Brass

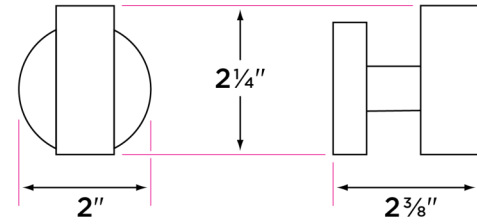
DESCRIPTION	PRODUCT CODE	CASE
9" Towel Bar	SO-TB9	20
18" Towel Bar	SO-TB18	20
24" Towel Bar	SO-TB24	20
30" Towel Bar	SO-TB30	20
Towel Ring	SO-TR1	30
Single Post Paper Holder	SO-PH1	30
Euro Paper Holder	SO-PH3	30
Two-Post Pivot Paper Holder	SO-PH2PV	30
Robe Hook	SO-RH1	30



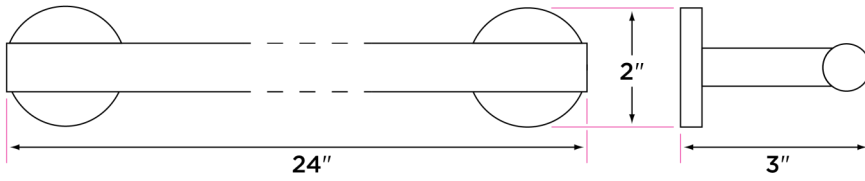
SO-TB30



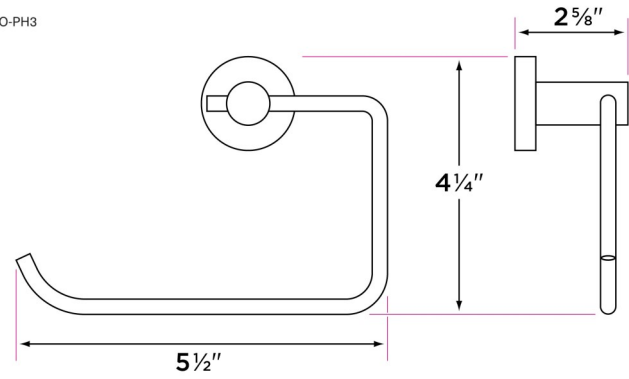
SO-RH1



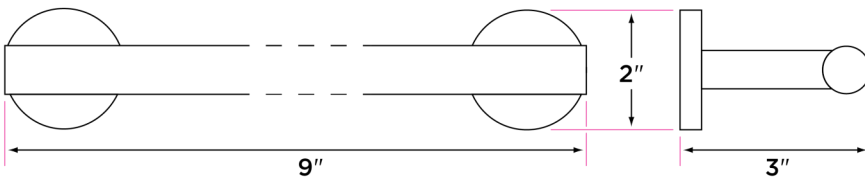
SO-TB24



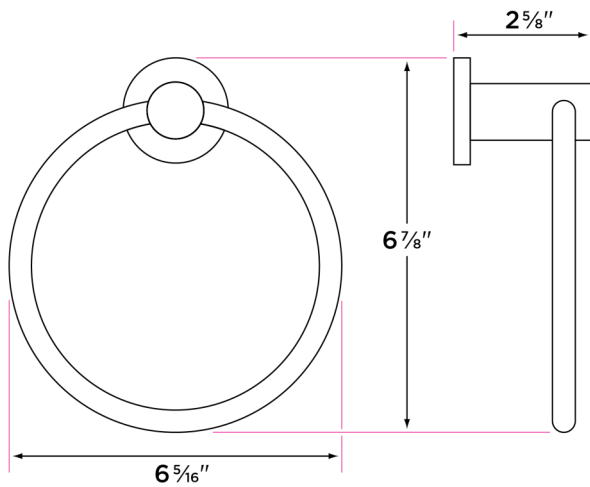
SO-PH3



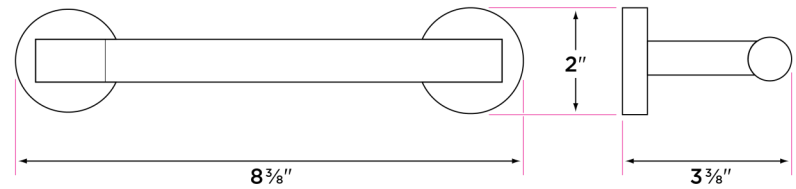
SO-TB9



SO-TRI



SO-PH2PV



SO-PH1

