

Monza Series



Materials

Stainless Steel

Specifications

3" extension from wall

2" base

Concealed screw mounting with slotted head set screw

Plated steel mounting brackets with two screws each

Nylon drywall anchors included

Finishes

15 Satin Nickel

26 Polished Chrome

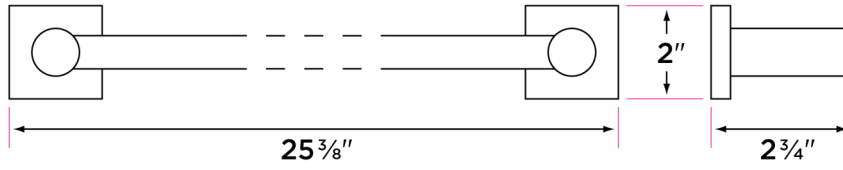
FBL Flat Black

SB Satin Brass

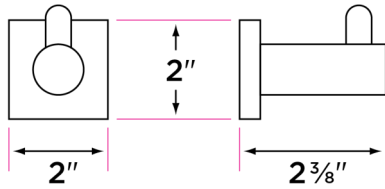
DESCRIPTION	PRODUCT CODE	CASE
18" Towel Bar	MN-TB18	20
24" Towel Bar	MN-TB24	20
30" Towel Bar	MN-TB30	20
Towel Ring	MN-TR1	30
Single-Post Paper Holder	MN-PH1	30
Two-Post Paper Holder	MN-PH2	30
Euro Style Paper Holder	MN-PH3	30
Robe Hook	MN-RH1	30



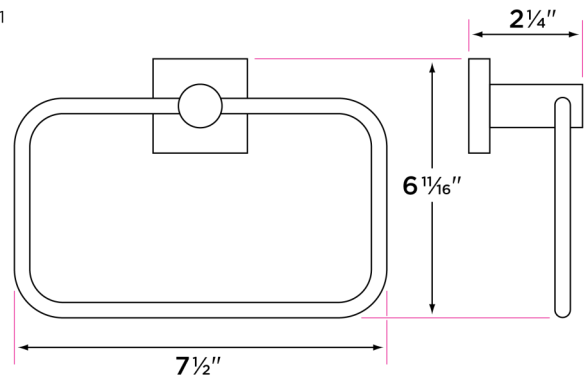
MN-TB24



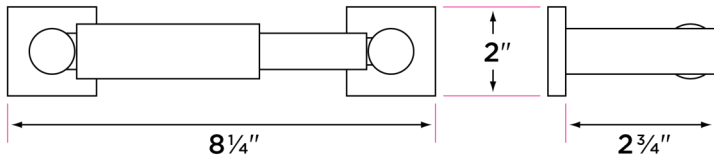
MN-RH1



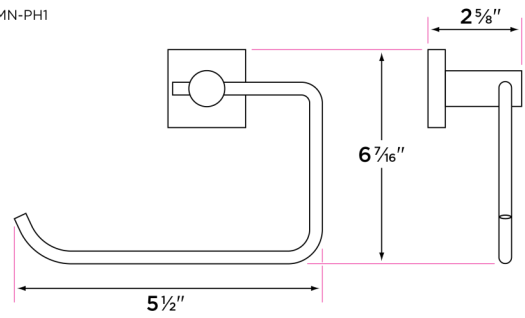
MN-TR1



MN-PH2



MN-PH1



MN-PH3

