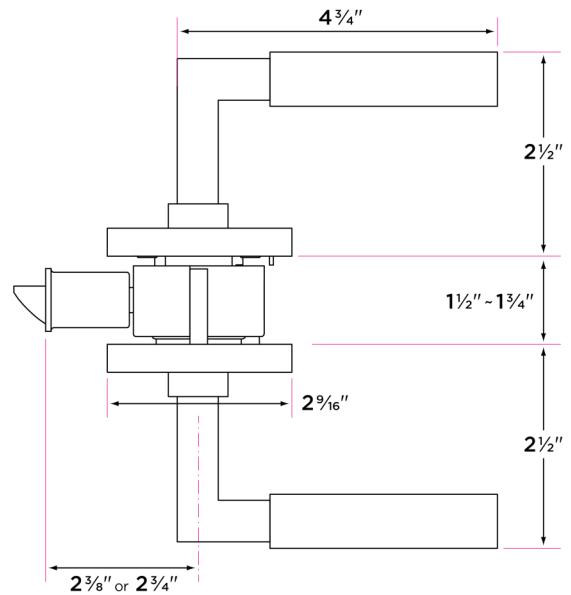


## Levanto Lever



LV101



### ROSETTE OPTIONS

| DESCRIPTION   | PRODUCT CODE | CASE |
|---|--------------|------|
| Passage Rosette (hall/closet) Both sides always free  | LV101        |      |
| Privacy Rosette (bed/bath) Locked by push pin. Unlocked by push pin, lever turn, or emergency pin outside | LV102        |      |
| Dummy Rosette (closet) Inactive, single-sided, flush mount with two wood screws                           | LV100        |      |
| Handleset Interior Trim Rosette   | LV100-H      |      |

### LEVER GRIP OPTIONS

| DESCRIPTION   | PRODUCT CODE | CASE |
|---------------|--------------|------|
| Knurled Lever | LVGRIP-KN    |      |
| Smooth Lever  | LVGRIP-SM    |      |
| Walnut Lever  | LVGRIP-WN    |      |

### Finishes

Rosette: 26 Polished Chrome, NI Nickel, FBL Flat Black, SB Satin Brass

Lever Grips: 26 Polished Chrome, FBL Flat Black, NI Nickel, SB Satin Brass, WN Walnut (only for Walnut Lever Grip)

### Latch

2 1/4" x 1" radius corner faceplate  
Non-adjustable 2 3/8" or 2 3/4"  
2 3/8" Drive-in latch available  
1/2" throw bolt  
Split Spindle- both sides operate independently

### Door Thickness

1 3/8" to 1 3/4"  
Expansion pack available for 2 1/4" thick doors

### Key Cylinder

No keyed option  
Pair passage lever with mountain deadbolt for exterior locking

### Strike Plate

2 1/4" x 1 3/4" full lip radius corner standard

### Door Handing

Non-handed

### Door Prep

Crossbore 2 1/8"  
Edgebore 1"

### Materials

Solid brass  
All metal parts