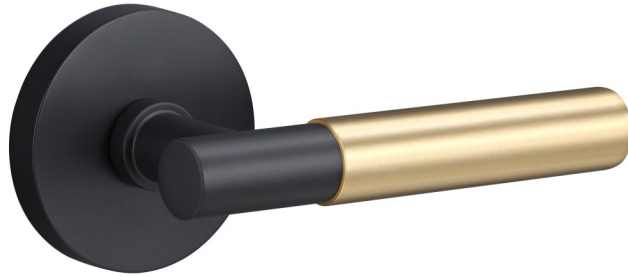
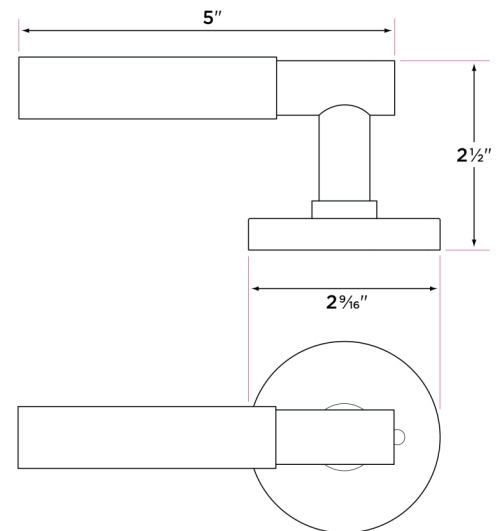


## Aspra Lever- Round



AP100-RD



### ROSETTE OPTIONS

DESCRIPTION	PRODUCT CODE	CASE
Passage Rosette (hall/closet) Both sides always free	AP101-RD	12
Privacy Rosette (bed/bath) Locked by push pin. Unlocked by push pin, lever turn, or emergency pin outside	AP102-RD	12
Dummy Rosette (closet) Inactive, single-sided, flush mount with two wood screws	AP100-RD	12
Handleset Interior Trim Rosette	AP100-HRD	12

### LEVER GRIP OPTIONS

DESCRIPTION	PRODUCT CODE	CASE
Knurled Grip	LVGRIP-KN	
Smooth Grip	LVGRIP-SM	
Walnut Grip	LVGRIP-WN	
Straight Knurled Grip	LVGRIP-SKN	

### Finishes

#### Rosette:

15 Satin Nickel  
FBL Flat Black  
SB Satin Brass

#### Lever Grips:

26 Polished Chrome  
FBL Flat Black  
15 Satin Nickel  
SB Satin Brass  
WN Walnut

### Latch

2 1/4" x 1" radius corner

faceplate

Non-adjustable 2 3/8" or 2 3/4"

2 3/8" Drive-in latch available

1/2" throw bolt

Split Spindle- both sides operate independently

### Door Thickness

1 3/8" to 1 3/4"

Expansion pack available for 2 1/4" thick doors

### Key Cylinder

No keyed option

Pair passage lever with mountain deadbolt for exterior locking

### Strike Plate

2 1/4" x 1 3/4" full lip radius corner standard

### Door Handing

Non-handed

### Door Prep

Crossbore 2 1/8"

Edgebore 1"

### Materials

Solid brass

All metal parts