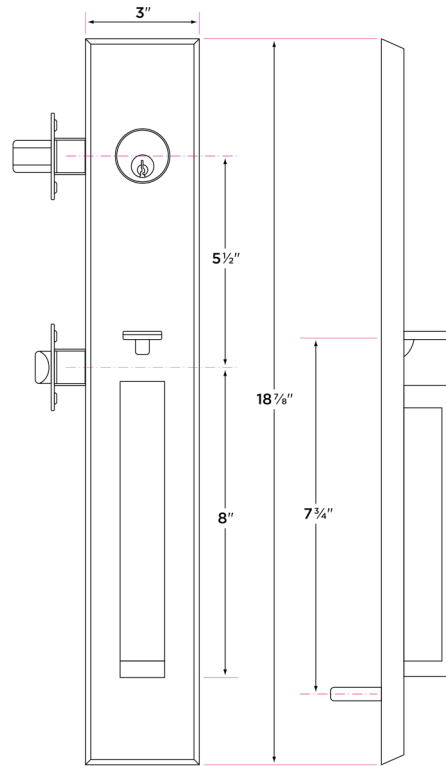


## Vail Handleset



VL507



### DESCRIPTION

### PRODUCT CODE

### CASE

Vail Handleset

VL507

6

Vail Dummy Handleset

VL-500

6

### Finishes

11P Vintage Bronze  
NI Nickel  
FBL Flat Black  
SB Satin Brass

### Latch

2 1/4" x 1" radius corner faceplate  
Non-adjustable 2 3/8" or 2 3/4" backset  
2 3/8" drive-in latch available  
1/2" throw bolt

### Strike Plate

2 1/4" x 1 3/4" full-lip radius corner standard  
2 1/4" x 1" deadbolt strike  
2 3/4" x 1 1/8" deadbolt strike

### Door Handing

Non-handed

### Door Prep

Crossbore 2 1/8"  
Edgebore 1"  
5 1/2" center-to-center

Split Spindle- both sides operate independently

1" deadbolt throw

Cut resistant bolt with hardened steel rolling insert

### Door Thickness

1 3/8" - 2"

Expansion pack available for 2 1/4" thick doors

### Key Cylinder

5 Pin KW1  
5 Pin SC1 option

### Materials

Solid Brass  
All metal parts

# Vail Handleset

Interior Trims:

DESCRIPTION	PRODUCT CODE
Logan Handleset Trim	LN100-H
Levanto Full Plate Handleset Trim	LV100-HFP
Basel Full Plate Handleset Trim	BS100-HFP
Oakley Handleset Trim	OK100-H
Zermatt Full Plate Handleset Trim	ZT100-HFP



Logan Trim



Levanto Trim



Basel Trim



Oakley Trim



Zermatt Trim

