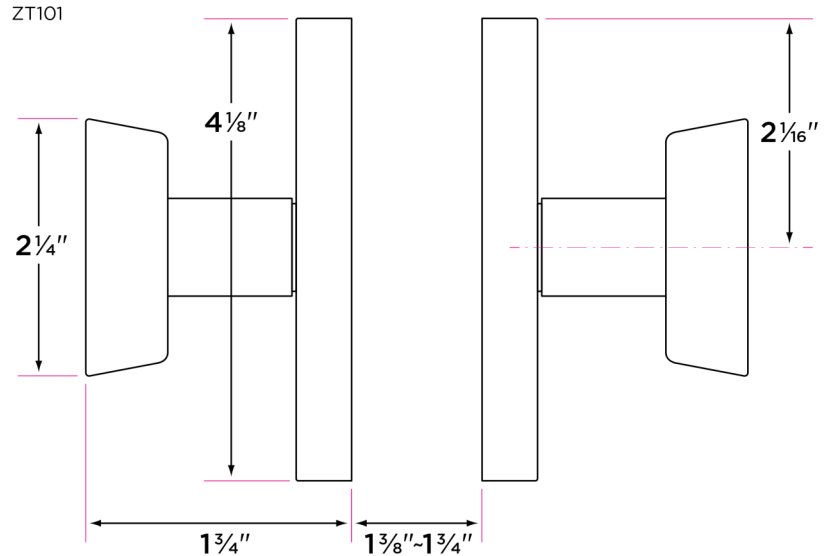


Zermatt Knob



DESCRIPTION

PRODUCT
CODE

CASE

Passage (hall/closet) Both sides always free	ZT101	12
Privacy (bed/bath) Locked by push pin. Unlocked by push pin, knob turn, or emergency pin outside	ZT102	12
Dummy (closet) Inactive, single-sided, flush mount with two concealed wood screws	ZT100	12

Finishes

15 Satin Nickel
FBL Flat Black
SB Satin Brass

Door Handing

Non-handed

Door Thickness

1 5/8" to 1 3/4"

Key Cylinder

No keyed option
Pair passage lever with mountain
deadbolt for exterior locking

Strike Plate

2 1/4" x 1 3/4" full lip radius
corner standard

Latch

2 1/4" x 1" radius corner
faceplate
Non-adjustable 2 3/8" or 2 3/4"
Drive-in latch available
1/2" throw bolt
Split Spindle- both sides
operate independently

Door Prep

Crossbore 2 1/8"
Edgebore 1"

Materials

Zinc: Satin Nickel, Flat Black
Brass: Satin Brass
All metal parts