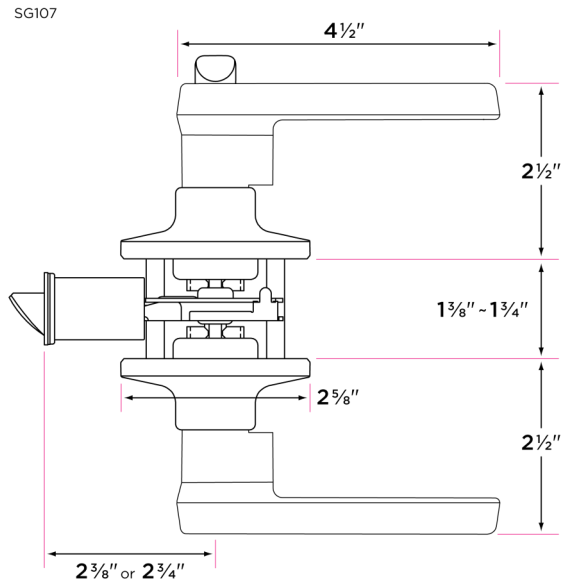


Sage Lever



DESCRIPTION	PRODUCT CODE	CASE
Passage (hall/closet) Both sides always free	SG101	24
Privacy (bed/bath) Locked by finger turn. Unlocked by finger turn or coin slot	SG102	24
Entry-Locked/unlocked by inside finger turn or outside key	SG107	12
Entry and Deadbolt Combo	SG107/DB	12
Dummy (closet) Inactive, single-sided, flush mount with two wood screws	SG100	24
Handleset Interior Trim	SG100-H	24

Finishes

15 Satin Nickel
11P Vintage Bronze

Door Handing

Reversible Handing
Specify handing for dummy and handleset interior trim

Door Thickness

1 3/8" to 1 3/4"

Key Cylinder

5 Pin KW1
5 Pin SC1 option

Strike Plate

2 1/4" x 1 3/4" full lip radius corner standard

Latch

Adjustable 2 3/8" - 2 3/4" backset
1/2" throw bolt
2 1/4" x 1" radius corner faceplate or 4 way drive-in latch
45 degree lever turn radius

Door Prep

Crossbore 2 1/8"
Edgebore 1"

Materials

Zinc
All metal parts