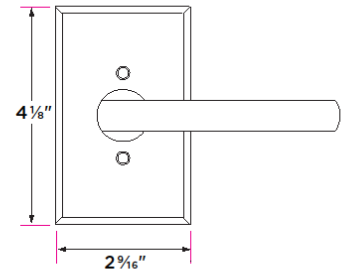
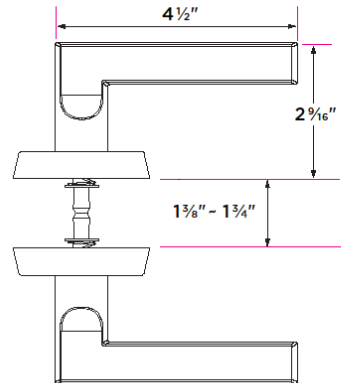


## Logan Lever



LN10'



DESCRIPTION	PRODUCT CODE	CASE
Passage (hall/closet) Both sides always free	LN101	12
Privacy (bed/bath) Locked by push pin. Unlocked by push pin, lever turn, or emergency pin outside	LN102	12
Dummy (closet) Inactive, single-sided, flush mount with two wood screws	LN100	12

### Finishes

11P Vintage Bronze  
NI Nickel  
FBL Flat Black  
SB Satin Brass

### Door Handing

Non-handed

### Door Thickness

1 3/8" to 1 3/4"  
Expansion pack available for 2 1/4" thick doors

### Key Cylinder

No keyed option  
Pair passage lever with mountain deadbolt for exterior locking

### Strike Plate

2 1/4" x 1 3/4" full lip radius corner standard

### Latch

2 1/4" x 1" radius corner faceplate  
Non-adjustable 2 3/8" or 2 3/4"  
2 3/8" Drive-in latch available  
1/2" throw bolt  
Split Spindle- both sides operate independently

### Door Prep

Crossbore 2 1/8"  
Edgebore 1"

### Materials

Zinc: Vintage Bronze, Nickel, Flat Black  
Brass: Satin Brass  
All metal parts