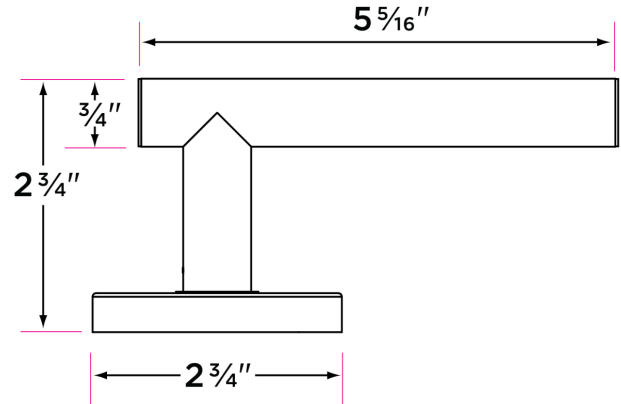


Juneau 28° Lever



DESCRIPTION	PRODUCT CODE	CASE
Passage (hall/closet) Both sides always free	JU101	12
Privacy (bed/bath) Locked by push pin. Unlocked by push pin, lever turn, or emergency pin outside	JU102	12
Dummy (closet) Inactive, single-sided, flush mount with two wood screws	JU100	12
Handleset Interior Trim	JU100-H	12

Finishes

32D Stainless Steel
26 Polished Chrome
FBL Flat Black

Door Handing

Non-handed

Door Thickness

$1 \frac{3}{8}''$ to 2"

Key Cylinder

No entry function

Strike Plate

$2 \frac{1}{4}'' \times 1 \frac{3}{4}''$ full-lip radius corner standard

Latch

$2 \frac{1}{4}'' \times 1''$ radius corner faceplate
Non-adjustable $2 \frac{3}{8}''$ or $2 \frac{3}{4}''$
28 degree turn radius
 $\frac{1}{2}''$ throw bolt
Split Spindle - both sides operate independently

Door Prep

Crossbore $2 \frac{1}{8}''$
Edgebore 1"

Materials

Stainless steel tubing
All metal parts