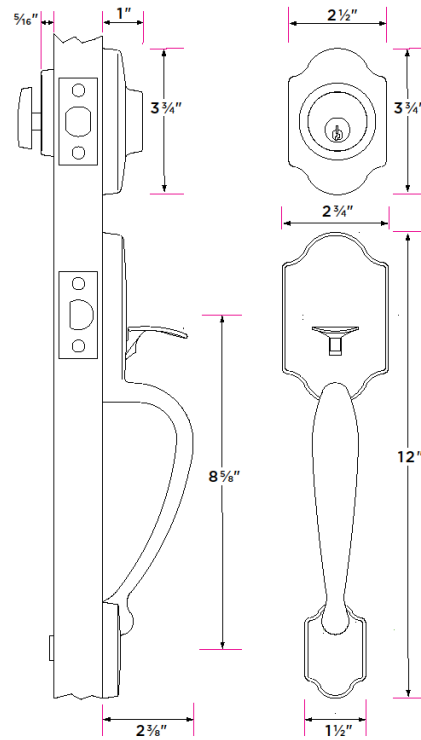


## Coral Handleset



DESCRIPTION	PRODUCT CODE	CASE
Coral Handleset	CR507	6
Coral Dummy Handleset	CR500	6

### Finishes

- 15 Satin Nickel
- 11P Vintage Bronze
- 3 Polished Brass

### Door Handing

Non-handed

### Door Thickness

1 3/8" to 1 3/4"

### Key Cylinder

- 5 Pin KW1
- 5 Pin SC1 option

### Strike Plate

- 2 1/4" x 1 3/4" full-lip radius corner standard
- 2 1/4" x 1" deadbolt strike
- and
- 2 1/4" x 1 3/4" full-lip radius corner deadbolt strike

### Latch

- 2 1/4" x 1" radius corner faceplate
- Adjustable 2 3/8" and 2 3/4"
- 1/2" throw bolt
- 1" deadbolt throw
- Cut resistant bolt with hardened steel rolling inserts

### Door Prep

- Crossbore 2 1/8"
- Edgebore 1"

### Materials

- Zinc
- All metal parts