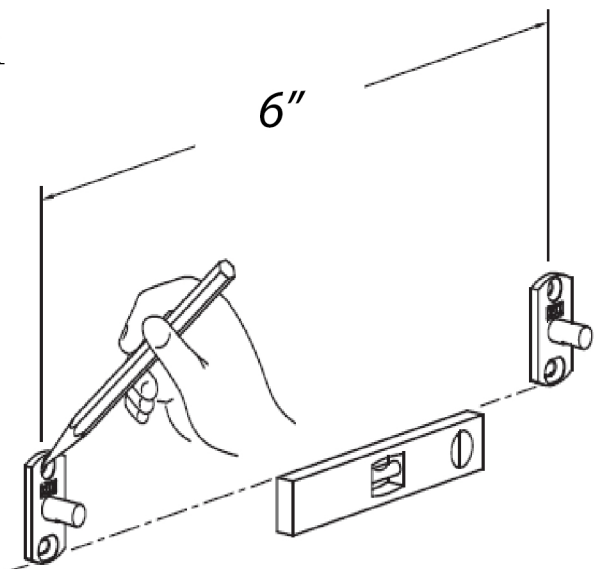
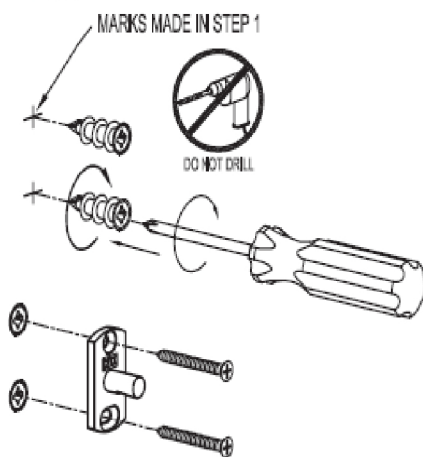


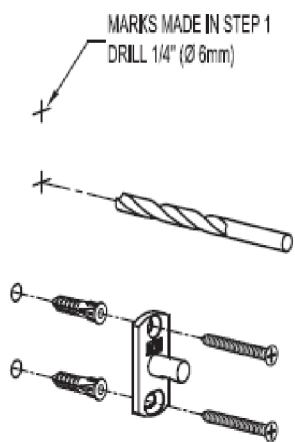
1



2 FOR DRYWALL



2 FOR TILE OR SOLID WALLS



3

