

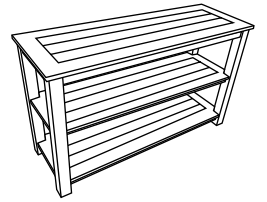
“Antique” Wall Table

DEAR CUSTOMER,

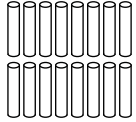
Congratulations on your purchase of this SVLK certified Teak Table!

To assemble this table, you need a *Medium Hammer*.

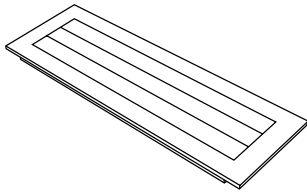
Please unpack the carton and check that you have all components listed.



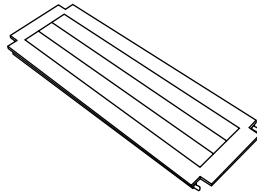
LIST OF COMPONENTS:



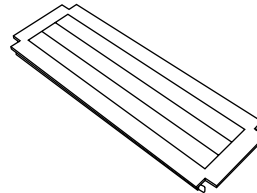
16x Dowels



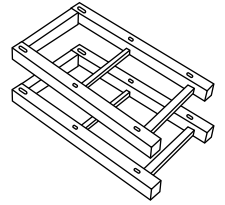
1x Top



1x Middle Rack

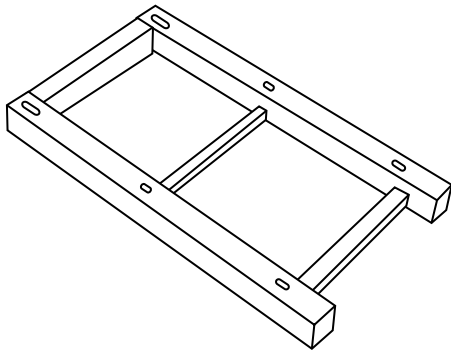


1x Bottom Rack



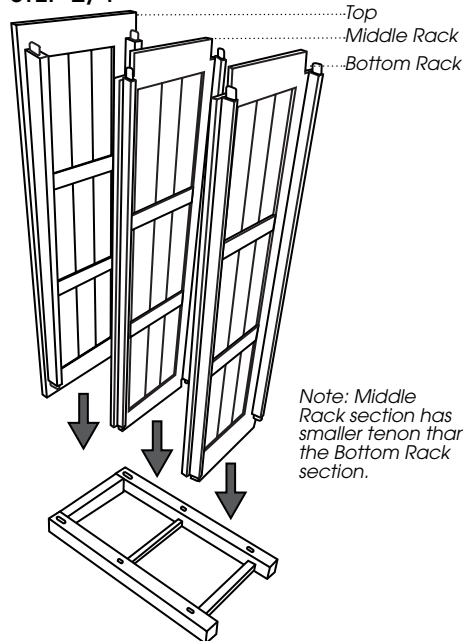
2x Legs

STEP 1/4



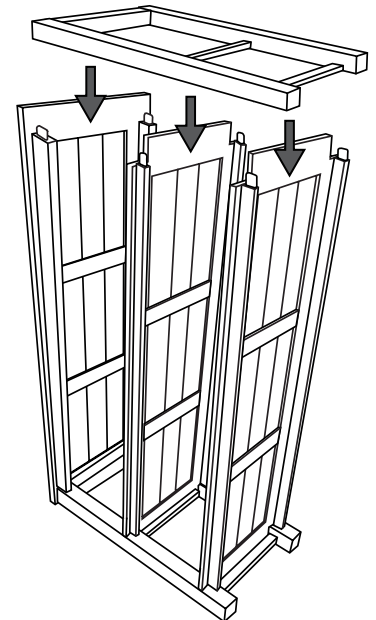
Lay 1 Leg section flat on level surface. Side with mortises facing upward.

STEP 2/4



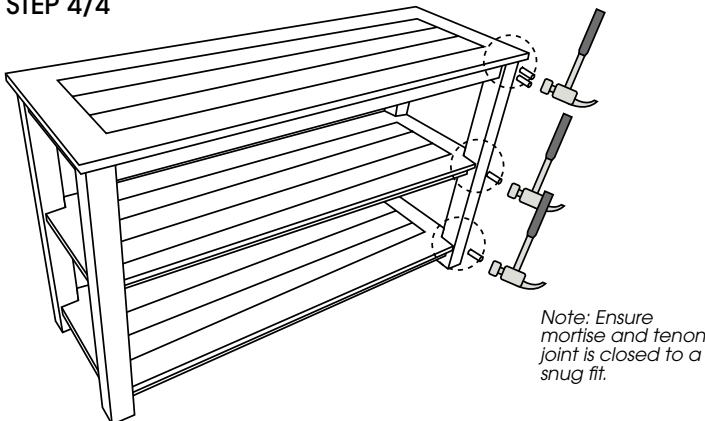
Align and insert Top, Middle Rack, and Bottom Rack section into the Leg section, as shown.

STEP 3/4



Align and insert another Leg section into the structure.

STEP 4/4



Insert 4 Dowels and use the hammer to tap them completely into the holes. Repeat step for the other three sides.

Congratulations, you have just finished building your own SVLK certified Teak Table!