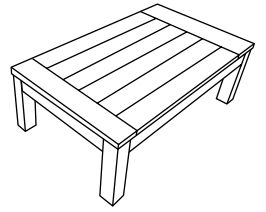


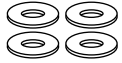
“Antique” Coffee Table

DEAR CUSTOMER,

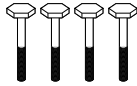
Congratulations on your purchase of this SVLK certified Teak Table!
To assemble this table, you need a *12mm (1/2')* wrench provided.
Please unpack the carton and check that you have all components listed.



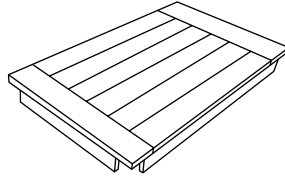
LIST OF COMPONENTS:



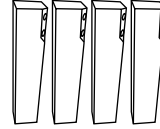
4x Washers



4x Bolts

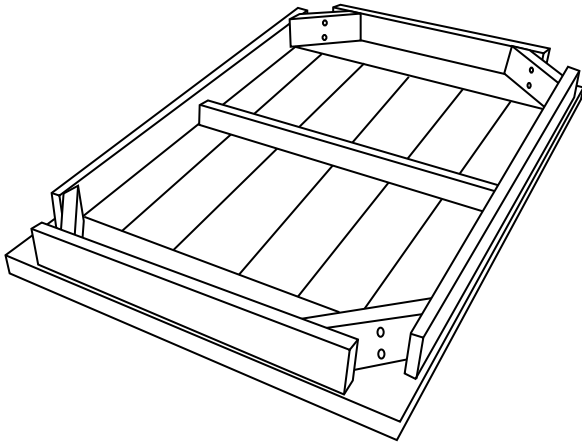


1x Top



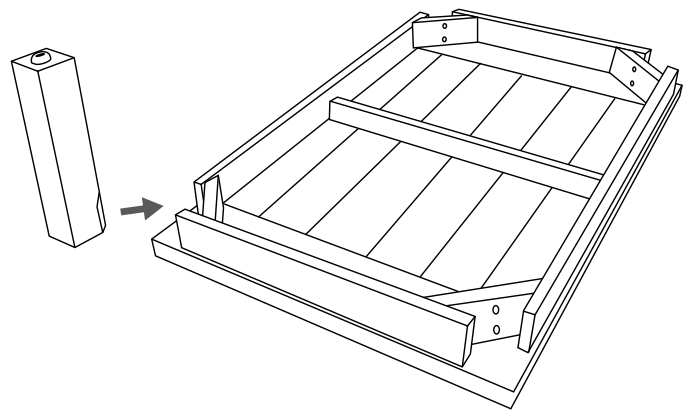
4x Legs

STEP 1/4



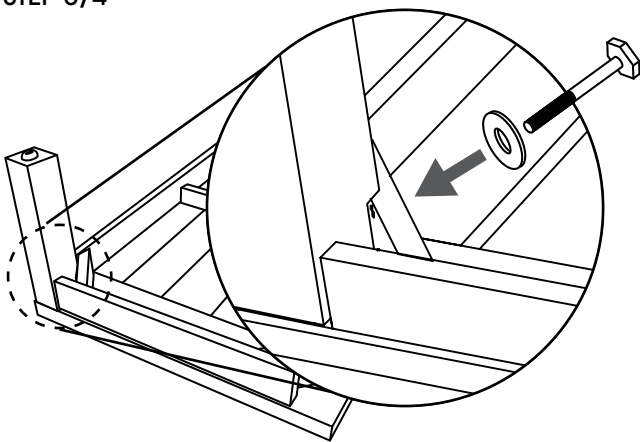
Lay Top section flat on level surface. Bottom side facing upward.

STEP 2/4



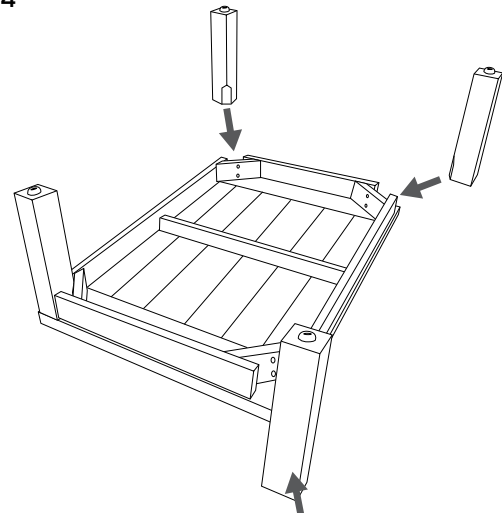
Align and insert 1 Leg section into the corner-block.

STEP 3/4



Insert the bolt through a washer from the corner-block onto the leg. Tighten it firmly with 12mm (1/2') wrench provided.

STEP 4/4



Repeat Step 2 and 3 for the other three legs. Flip the table carefully.

Congratulations, you have just finished building your own SVLK certified Teak Table!