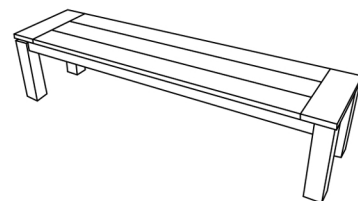


ANTIQUE Bench

DEAR CUSTOMER,

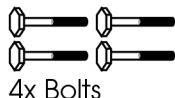
Congratulations on your purchase of this SVLK certified Teak Bench!
To assemble this table, you need a *wrench* as provided.
Please unpack the carton and check that you have all components listed.



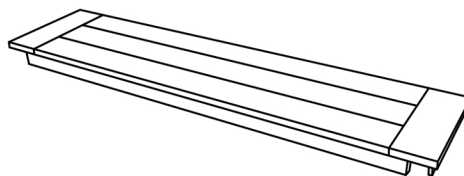
LIST OF COMPONENTS:



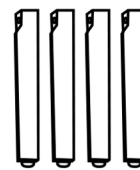
4x Washers



4x Bolts

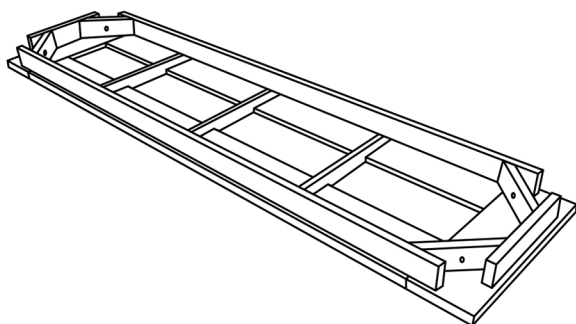


1x Top



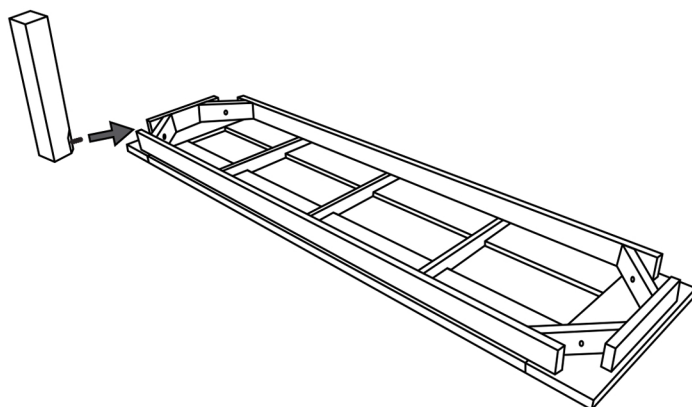
4x Legs

STEP 1/4



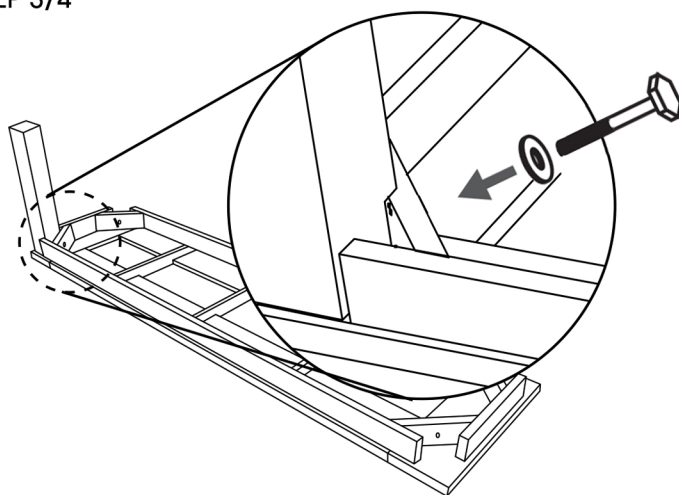
Lay Top section flat on level surface. Bottom side facing upward.

STEP 2/4



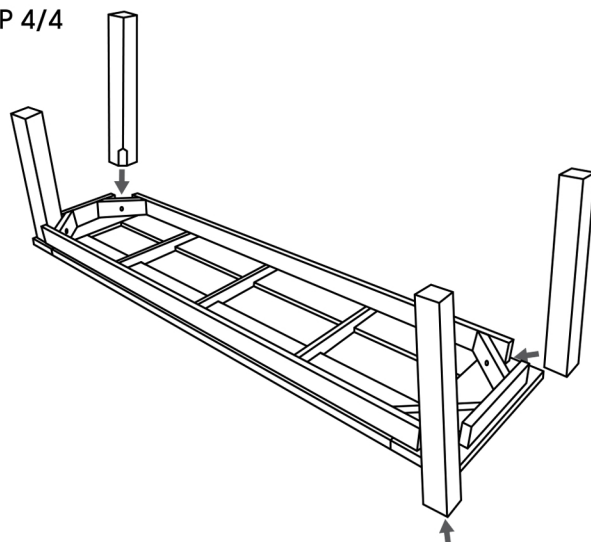
Align and insert the leg section into the corner block, as shown.

STEP 3/4



Insert the Bolt through a washer and tighten it firmly with a wrench.

STEP 4/4



Repeat Step 2 & 3 for the other three legs. Flip the table carefully.

Congratulations, you have just finished building your own SVLK certified Teak Bench!