



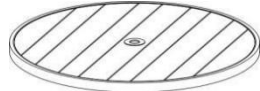
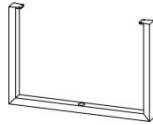


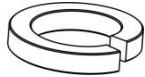
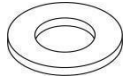


3801-RDT50 Redondo 50" Round Dining Table Assembly Instructions

IMPORTANT : PLEASE READ COMPLETE INSTRUCTION SHEET PRIOR TO ASSEMBLY!
 Identify all parts packed in carton against the parts list. Remove all protective materials, place parts on a nonabrasive surface to avoid scratching. If any parts are missing or damaged, DO NOT attempt to assemble.

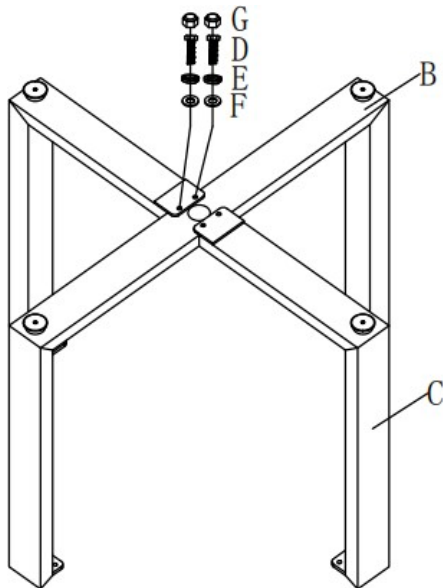
Step 1: Attached the leg frame 1 and Leg frame 2, Using M6*20 bolt (D) and lock washer(E) and Metal washer(F), Don't tighten the bolt.

Step 2: Place table top upside down on a flat, soft surface. Attach legs with supplied bolts and lock washers and metal washers.

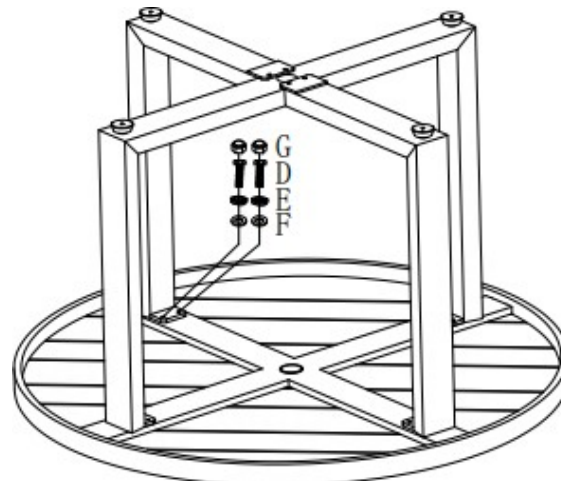
Step 3: Tighten all bolts. Cover all bolts with plastic bolt caps.
 Turn the table in the upright position. Your table is now ready for use.

PARTS LIST			
A	TABLE TOP		1
B	LEG FRAME 1		1
C	LEG FRAME 2		2
D	BOLT(M6*20)		12
E	LOCK WASHER		12
F	METAL WASHER		12
G	PLASTIC BOLT CAP		12
H	HEX WRENCH		1

1



2



3

