



3801-DB Redondo Daybed Assembly Instructions

IMPORTANT : PLEASE READ COMPLETE INSTRUCTION SHEET PRIOR TO ASSEMBLY!

Identify all parts packed in carton against the parts list. Remove all protective materials, place parts on a nonabrasive surface to avoid scratching. If any parts are missing or damaged, DO NOT attempt to assemble.

Please have two people assemble the daybed while building the main structure.

During assembly, do not tighten bolts completely. Leave them slightly loose to allow for proper alignment of all parts.

Step 1: Place the daybed bottom (B) on a flat, soft surface. Turn the daybed and put the longer side on the ground, Then assembly the support leg (C) ,Using M8*45 bolt (M) and M8 Lock washer (O) and M8 Metal washer (P), Tighten the bolts, Cover the bolts with plastic bolt caps (R).


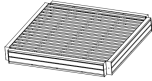






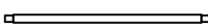
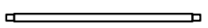









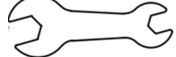
Step 2: Don't move the daybed bottom (B), attach the leg frame 3(G) to daybed bottom (B), Using M8*35 bolt (K) and M8*25 bolt (L) and M8 Lock washer (O) and M8 Metal washer (P), Repeat this step for the leg frame 4(H). Don't tighter the bolts, then insert long curtain bar (I) into the hole on the top of the leg frame 3(G) and leg frame 4(H).

Step 3: Attach the leg frame 2(F) to daybed bottom (B), Using M8*35 bolt (K) and M8*25 bolt (L) and M8 Lock washer (O) and M8 Metal washer (P), Don't tighter the bolts, then attach the sidewall (D), Using M6*50 bolt (N) and M6 Metal washer (Q), then insert the short curtain bar (J) into the hole on the leg frame 3(G) and leg frame 2(F).

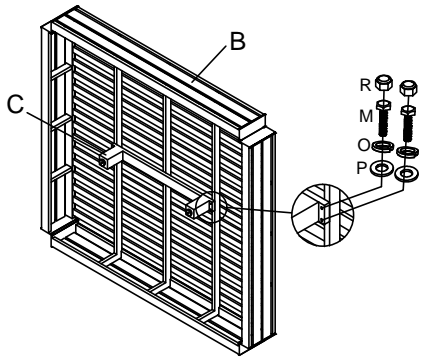
Step 4: Attach the leg frame 1(E) to daybed bottom (B),Using M8*35 bolt (K) and M8*25 bolt (L) and M8 Lock washer (O) and M8 Metal washer (P), Don't tighter the bolts, then insert the long curtain bar (I) into the hole on the leg frame 2(F) and leg frame 1(E).

Step 5: Attach the daybed top (A) to four leg frames, Please noted that the water leaking hole is facing down on the daybed top while the assembly. Using M8*35 bolt (K) and M8 Lock washer (O) and M8 Metal washer (P). Then tighten all bolts.

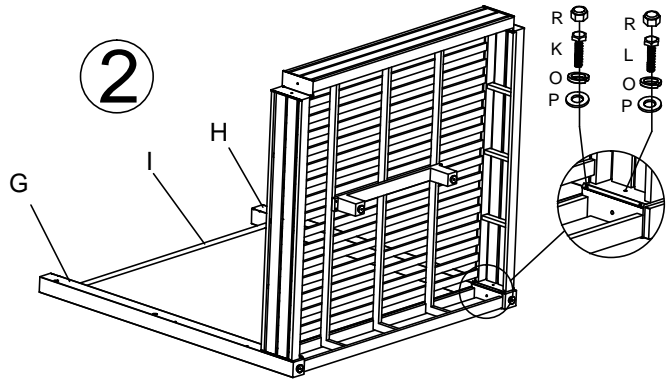
Step 6: Cover all bolts with plastic bolt caps. Your daybed is now ready for use.

PARTS LIST			
A	DAYBED TOP		1
B	DAYBED BOTTOM		1
C	SUPPORT LEG		1
D	SIDEWALL		1
E	LEG FRAME 1		1
F	LEG FRAME 2		1
G	LEG FRAME 3		1
H	LEG FRAME 4		1
I	LONG CURTAIN BAR		2
J	SHORT CURTAIN BAR		2
K	BOLT(M8*35)		16
L	BOLT(M8*25)		8
M	BOLT(M8*45)		4
N	BOLT(M6*50)		4
O	LOCK WASHER(M8)		28
P	METAL WASHER(M8)		28
Q	METAL WASHER(M6)		4
R	PLASTIC BOLT CAP(M8)		28
S	PLASTIC BOLT CAP(M6)		4
T	HEX WRENCH		2

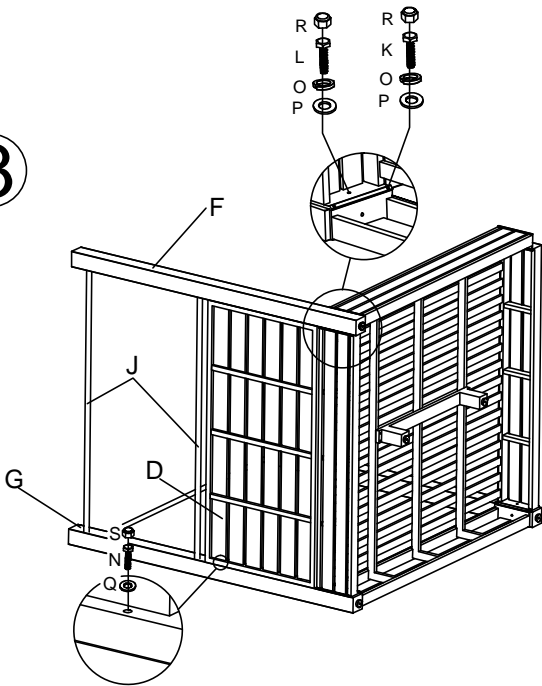
1



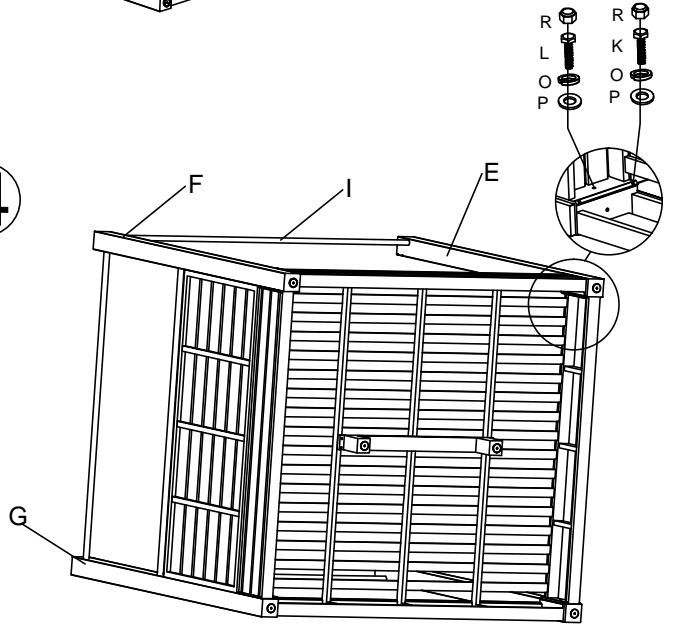
2



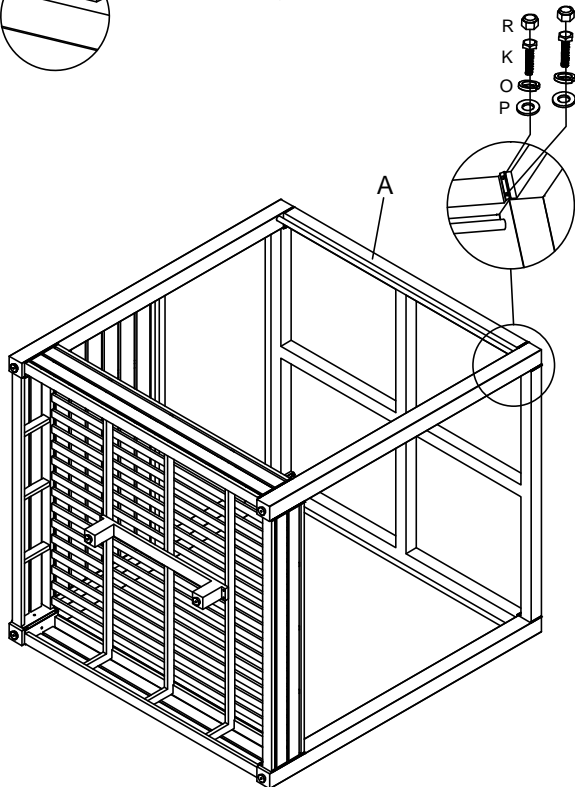
3



4



5



6

