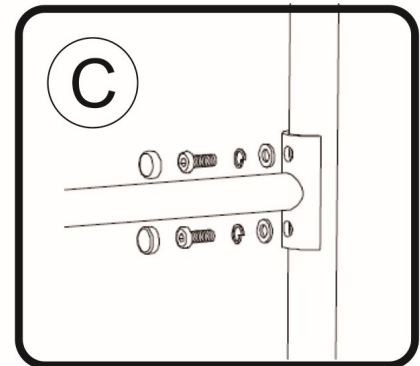
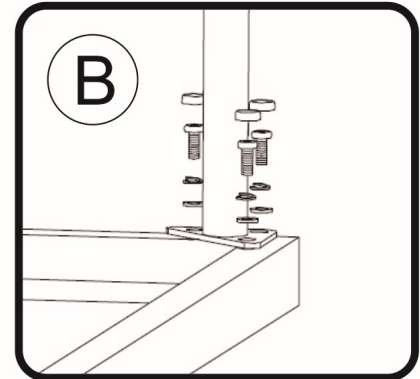
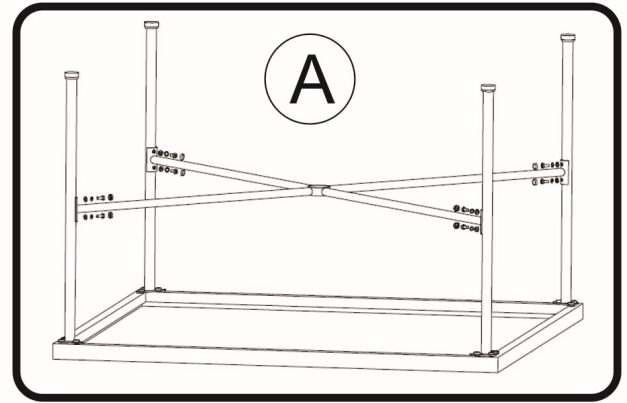


Standard Table Assembly Instructions

- 1.) Place table upside down on a scratch free surface (A).
- 2.) LOOSELY attach legs with supplied bolts and lock washers and metal washers (B).
- 3.) If applicable ,LOOSELY attach ring(s) to legs with provided bolts and lock washers and lock washers and metal washers(C).
- 4.) Without moving table from assembly position , gently test stability of table legs.
- 5.) Begin to gently tighten all nuts or bolts in succession , never torque one bolt completely as this could make the table wobble. Instead. tighten each bolt slightly.then move to the next in succession until all bolts are securely fastened. Cover all bolts with bolt caps.
- 6.) Turn the table in the upright position. Put the glass on the frame(D).



Warning : Do not force components and over tighten the nuts during assembly.

