



Monterrey Double Chaise Assembly Instructions

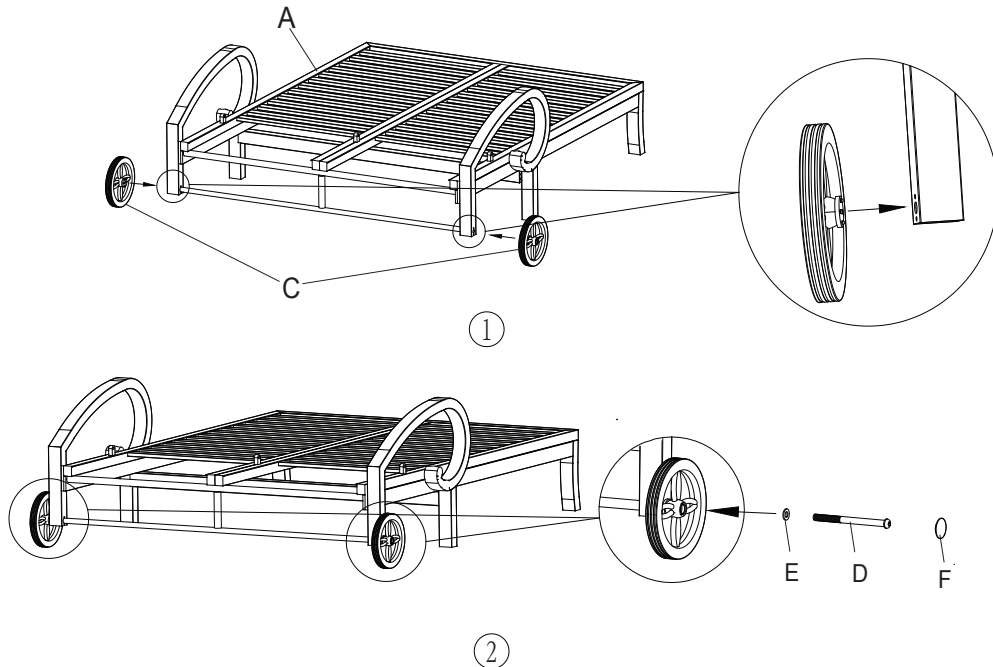
IMPORTANT : PLEASE READ COMPLETE INSTRUCTION SHEET PRIOR TO ASSEMBLY!
 Identify all parts packed in carton against the parts list. Remove all protective materials, place parts on a nonabrasive surface to avoid scratching. If any parts are missing or damaged, DO NOT attempt to assemble.

Step 1: Place chaise on a flat, soft surface. Insert the plastic plate into the holes on the legs.

Step 2: Attach wheels with supplied bolts and metal washers.
 Put the plastic cap on the wheels.

Step 3: Attach the chaise back to the chaise seat with supplied bolts and lock washers and metal washers and nuts.

Step 4: Cover all bolts with plastic bolt caps. Your Chaise is now ready for use.



PARTS LIST			
A	CHAISE SEAT		1
B	CHAISE BACK		2
C	WHEEL		2
D	BOLT(M8*120)		2
E	METAL WAHSER(M8)		2
F	PLASTIC CAP		2
G	BOLT (M6*40)		2
H	BOLT (M6*50)		1
I	METAL WASHER(M6)		6
J	LOCK WASHER(M6)		3
K	NUT(M6)		3
L	PLASTIC BOLT CAP		3
M	PLASTIC NUT CAP		3
N	PLASTIC WASHER		4
O	HEX WRENCH		1
P	ALLEN WRENCH		2

