




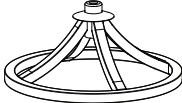
Swivel Rocker Dining Chair Assembly Instructions

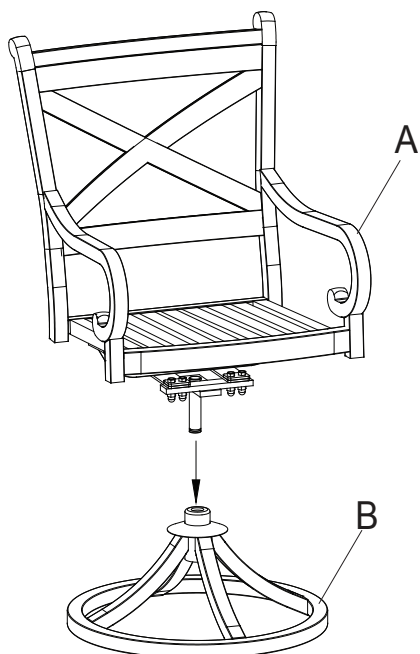
IMPORTANT : PLEASE READ COMPLETE INSTRUCTION SHEET PRIOR TO ASSEMBLY!

Identify all parts packed in carton against the parts list. Remove all protective materials, place parts on a nonabrasive surface to avoid scratching. If any parts are missing or damaged, DO NOT attempt to assemble.

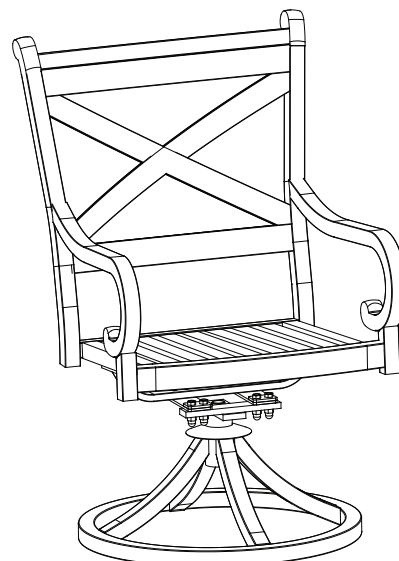
Step 1: Put the chair into the base, and fix the base, then remove the chair, to make the base and chair body connect tightly.

Step 2: Your chair is now ready for use.

PARTS LIST			
A	CHAIR BODY		1
B	CHAIR BASE		1



1



2