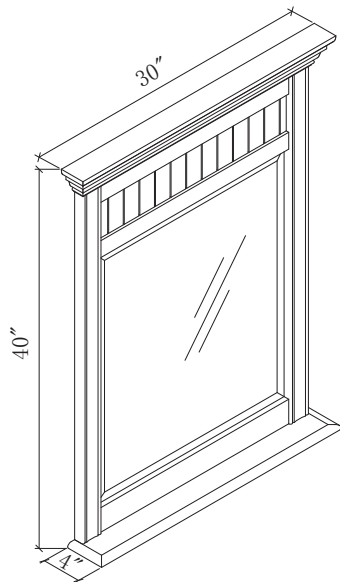
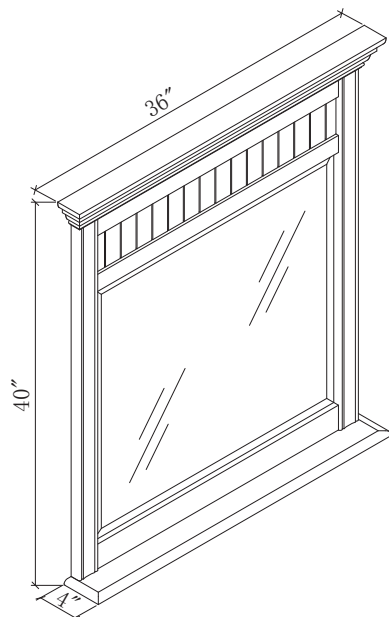


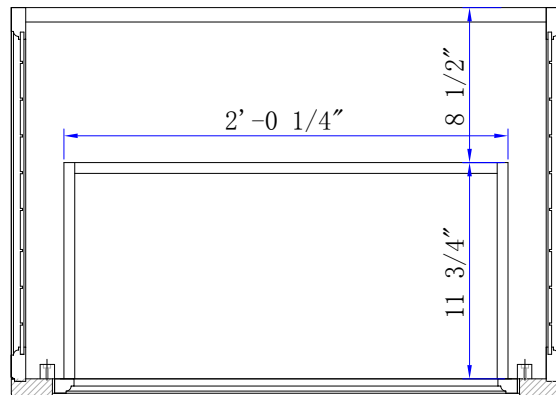
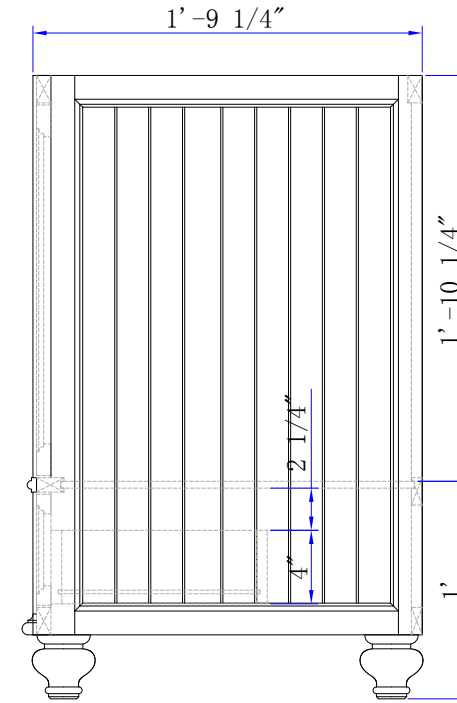
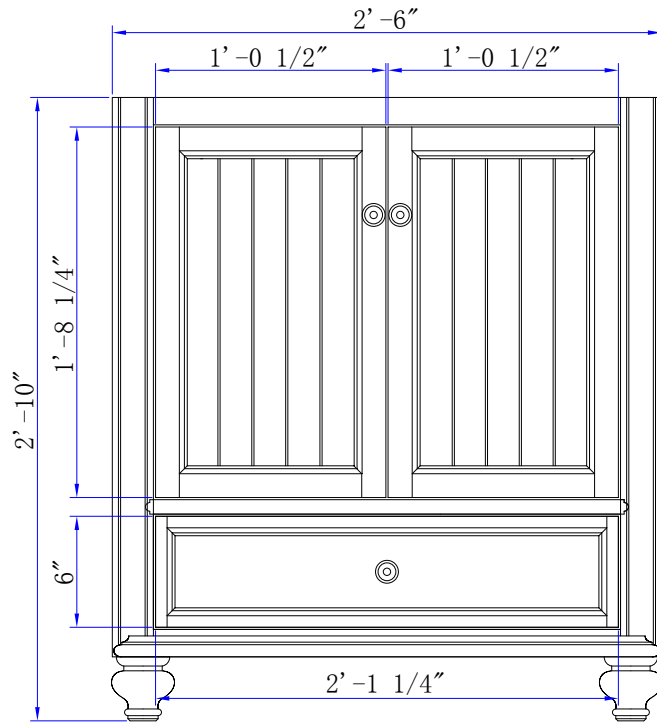
BB2732M
Single Medicine Cabinet
27"W x 32"H x 6 1/2"D



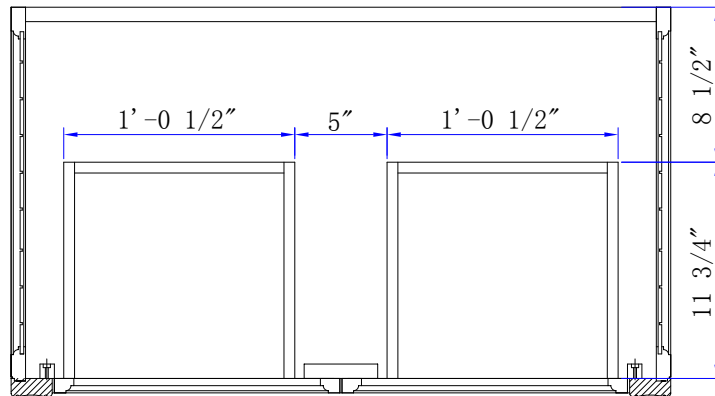
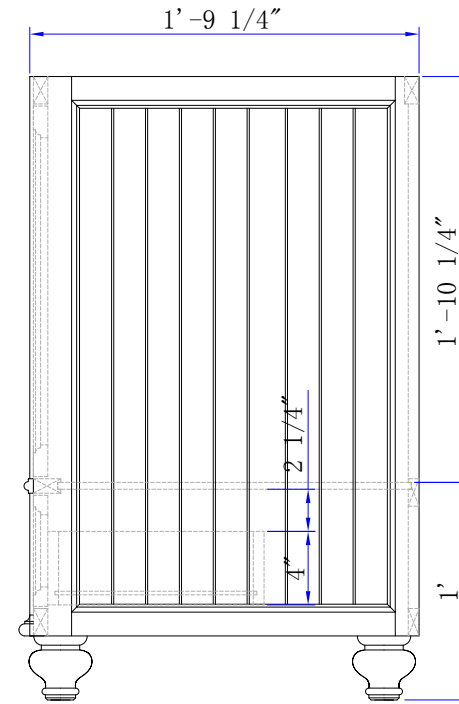
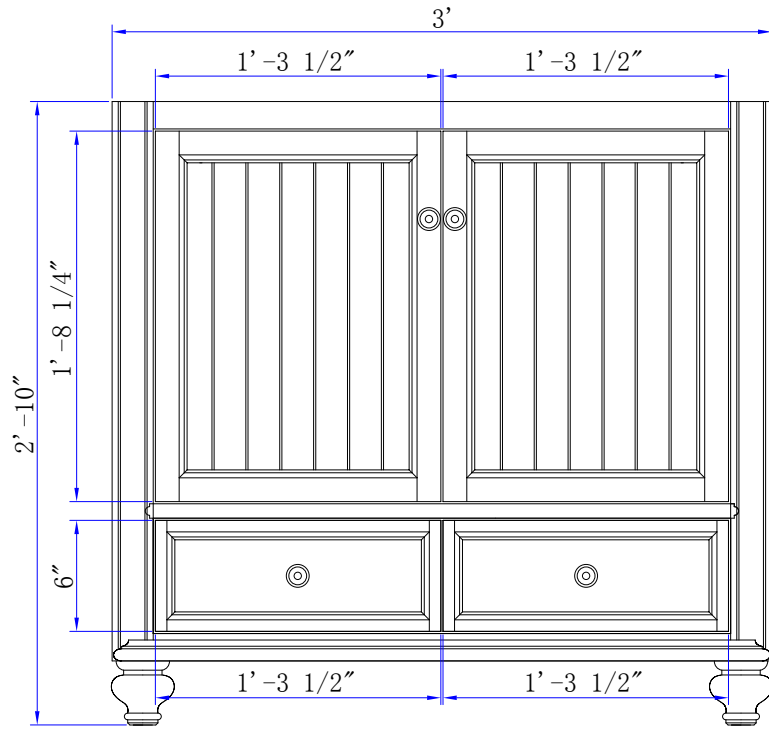
BB3040MR
Mirror
30"W x 40"H x 4"D



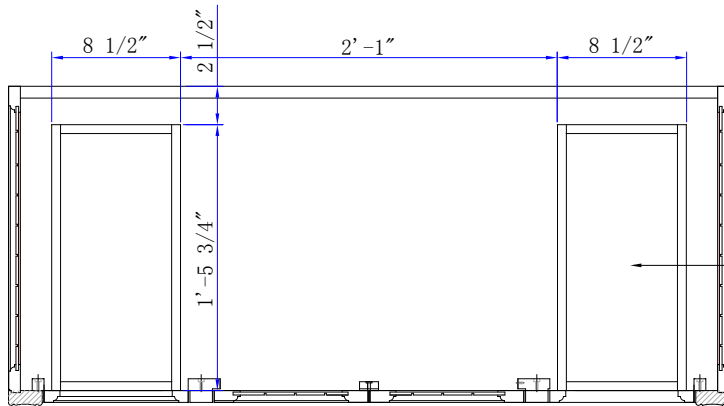
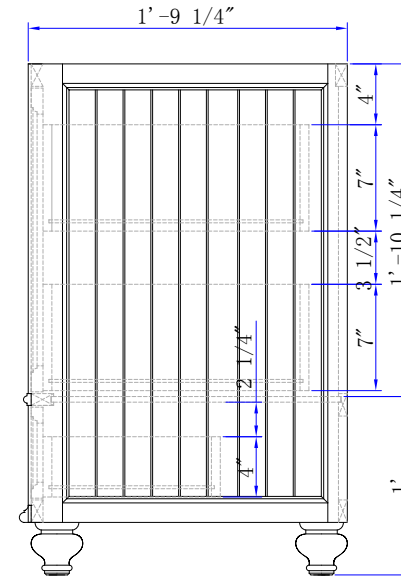
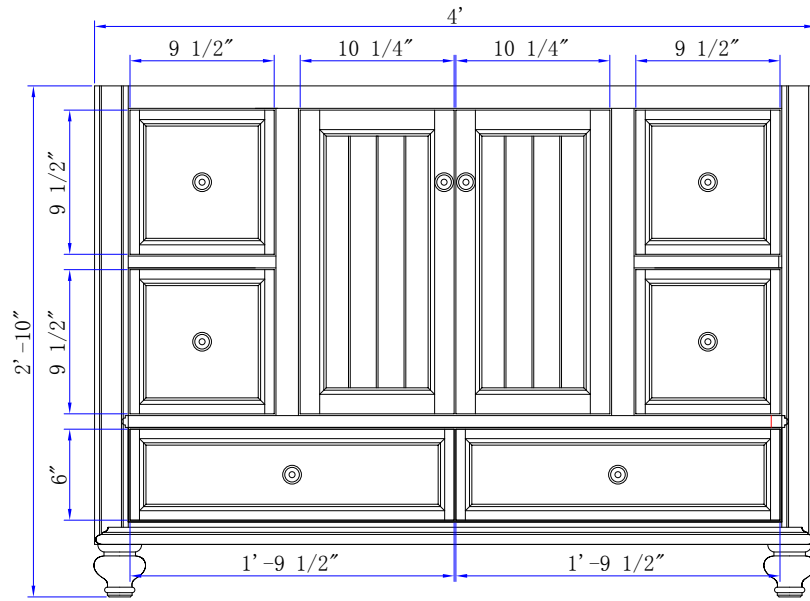
BB3640MR
Mirror
36"W x 40"H x 4"D



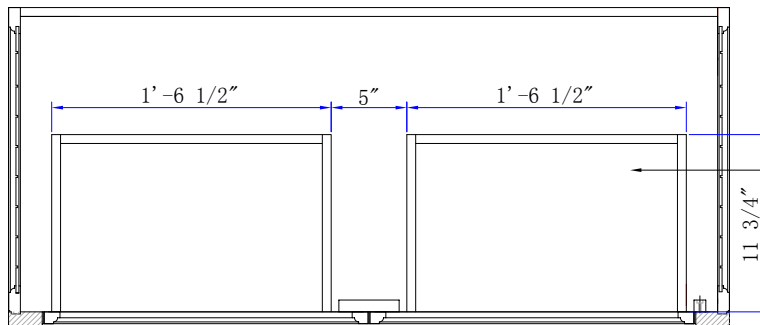
BB3021D



BB3621D

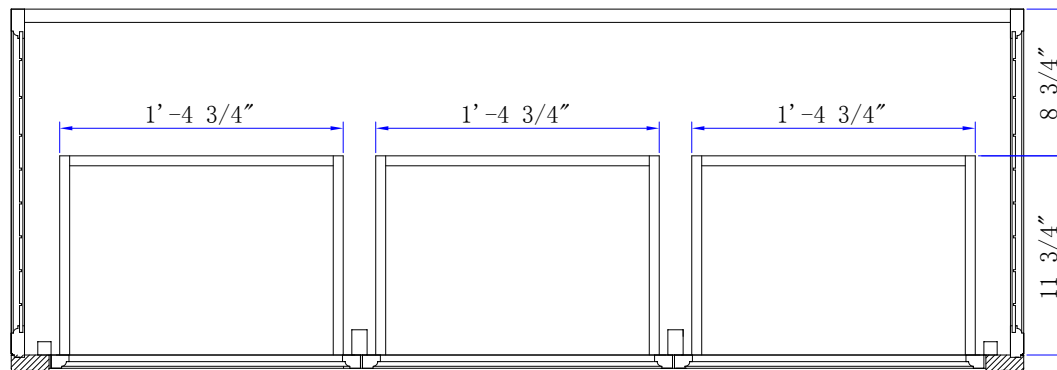
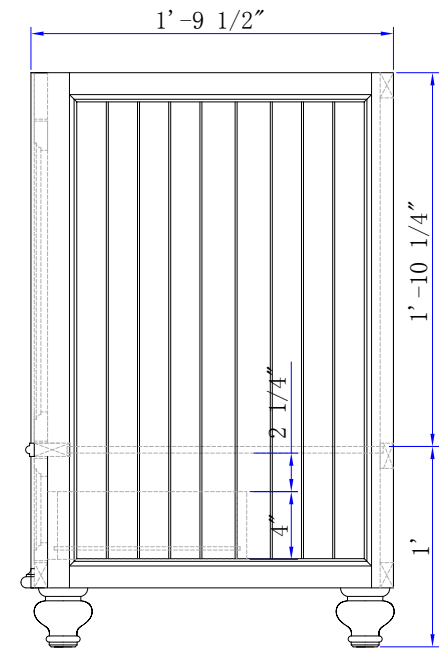
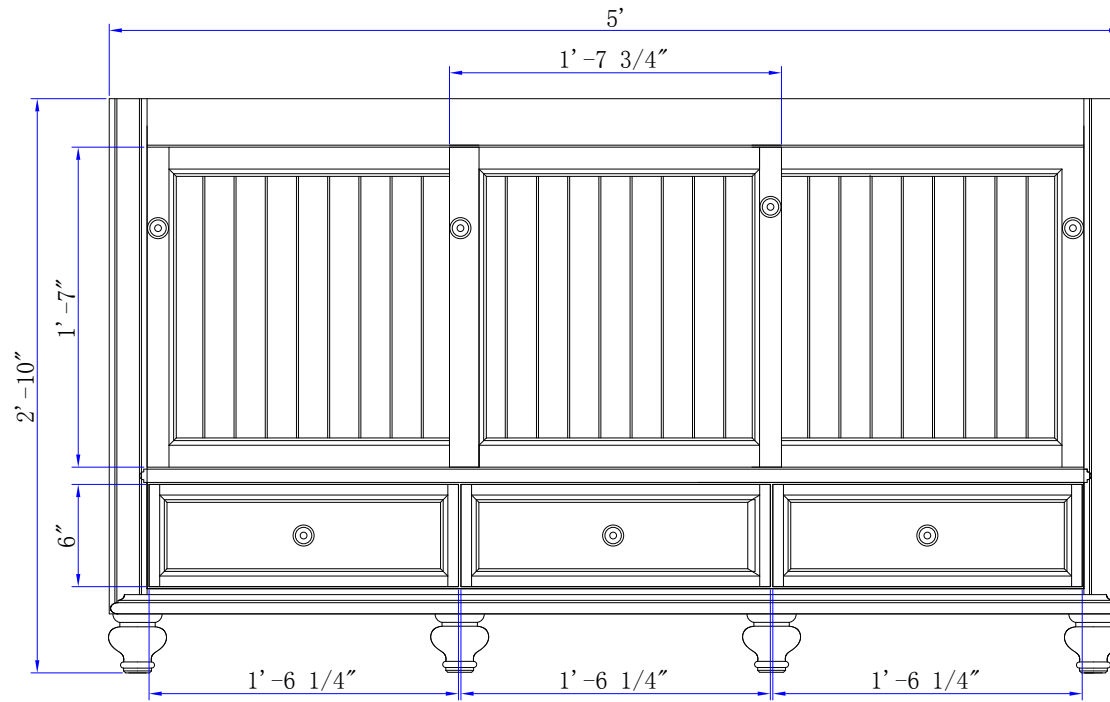


up drawer



down drawer

BB4821D



BB6021D