



# SBC7BRSFRTPADA



32" x 23.63" x 27.38" (H x W x D)

24" wide commercially approved ADA-compliant front tap built-in beer dispenser in stainless steel

### Highlights:

Sized at 32 inches high for installation under lower ADA-compliant counters

24" wide front tap kegerator includes all the equipment needed to serve beer

Innovative front tap system requires no countertop modification

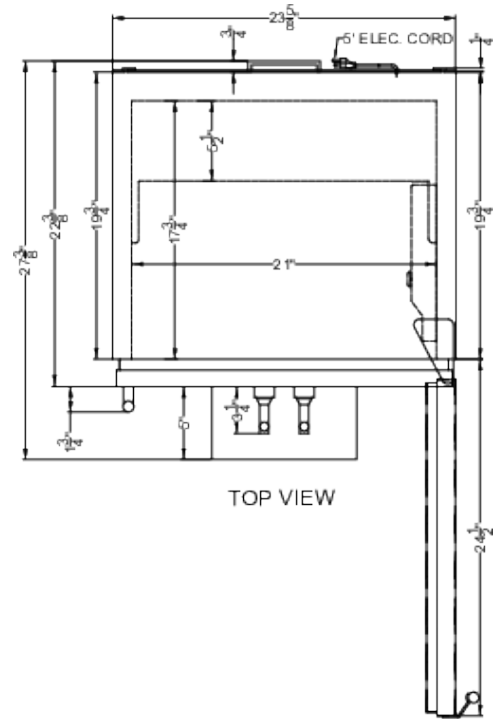
### Product Features:

|                                   |   |
|-----------------------------------|---|
| 24" Wide Front-Tap Beer Dispenser | Kegerator includes front taps accessed via the door and includes all of the equipment needed to serve beer from two sixtel kegs |
| Commitment-free front-taps        | Unique design requires no alterations to your countertop, freeing up valuable countertop space                                  |
| Dual tap system                   | Twin draft tower allows you to serve from two 1/6 (sixel) sized kegs  |
| Built-in capable                  | Designed for installation under the counter   |
| Accessible design                 | Taps are located on the front of the door, requiring no added reach   |
| ADA-compliant height              | Sized at 32 inches high for installation under lower ADA-compliant counters   |
| Commercially listed               | ETL-S listed to ANSI-NSF Standard 7 for commercial use  |
| Versatile use                     | Approved for both residential and commercial settings   |
| Complete beer tap kit included    | Includes a 5 lb. CO2 tank and regulator, dual tap draft arm, Sankey American tap, and the needed connection hardware.           |

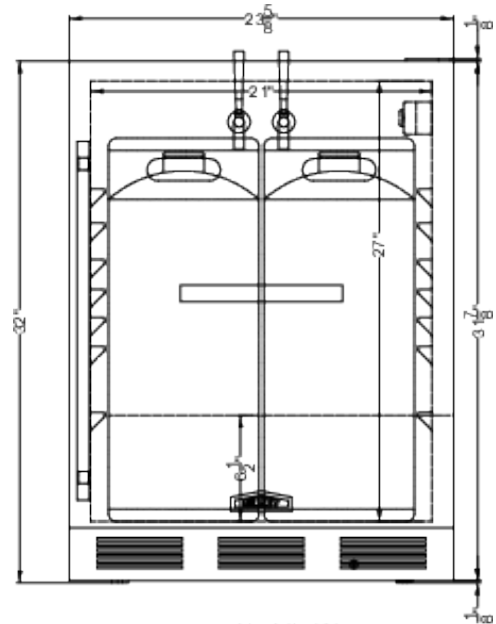


## SBC7BRSFRTPAD A Specifications:

| Overview                   |                    |
|----------------------------|--------------------|
| Height of Cabinet          | 31.88" (81 cm)     |
| Height to Hinge Cap        | 32.0" (81 cm)      |
| Width                      | 23.63" (60 cm)     |
| Depth                      | 27.38" (70 cm)     |
| Depth with door at 90°     | 51.88" (132 cm)    |
| Capacity                   | 5.3 cu.ft. (150 L) |
| Defrost Type               | Automatic          |
| Door                       | Stainless Steel    |
| Cabinet                    | Black              |
| US Electrical Safety       | ETL                |
| Canadian Electrical Safety | ETL-C              |
| Sanitation                 | ETL-S              |
| Energy Usage/Year          | 293.0kWh/year      |
| Amps                       | 0.8                |
| Voltage/Frequency          | 115 V AC/60 Hz     |
| Parts & Labor Warranty     | 1 Year             |
| Compressor Warranty        | 5 Years            |
| UPC                        | 761101145440       |
| Kegeerator                 |                    |
| Door Swing                 | RHD                |
| Reversible                 | Factory Reversible |
| Height Adjustable          | Yes                |
| Tap Kit                    | Yes                |
| Number of Taps             | 2                  |
| Thermostat Type            | Dial               |
| Interior Light             | Yes                |
| Refrigerant                | R600a              |
| Refrigerant Amount         | 0.64 oz.           |
| Inter Height               | 27.75" (70 cm)     |
| Interior Width             | 21.0" (53 cm)      |
| Interior Depth             | 18.0" (46 cm)      |
| Compressor Step Height     | 5.5" (14 cm)       |
| Compressor Step Width      | 21.0" (53 cm)      |
| Compressor Step Depth      | 6.0" (15 cm)       |
| Level Legs Qty             | 4                  |
| Temperature Range          | 36 to 46°F         |



TOP VIEW



FRONT VIEW