



SDHW1532



33.75" x 14.75" x 18" (H x W x D)

15" wide shallow depth built-in undercounter wine cellar with glass door, stainless steel interior, black cabinet, lock, and digital controls

Highlights:

Unique 18" shallow depth for an easy fit in kitchen islands

Just under 15" wide for an easy fit, with a flush back design to save space

Commercially listed to NSF-7 standards

Product Features:

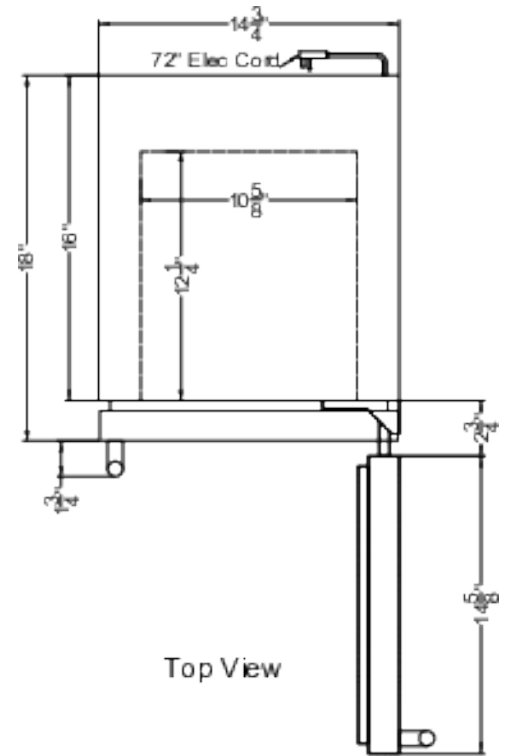
| | |
|---|--|
| 15" Wide Wine Cellar | Single zone wine cooler for residential or commercial storage |
| 18" Depth | Unique 18" shallow depth is ideal for wet bars, island kitchens, and other undercounter areas with limited footprint space |
| Built-in capable | Front-breathing design lets you make the best use of space by installing your appliance under the counter |
| Commercially approved | ETL-S listed to NSF-7 Standards and meets UL-471 for use in commercial establishments |
| Double pane tempered glass door | Elegant design offers a clear but protected view of your interior |
| Seamless stainless steel door trim | Glass is framed by with a flush one-piece stainless steel trim for an elevated look |
| Fully articulating European style hinge | Smoother opening and a better fit with an integrated European hinge |
| Factory installed lock | Keyed lock for a secure interior (2 keys included) |
| Professional handle | Stainless steel handle completes the look |



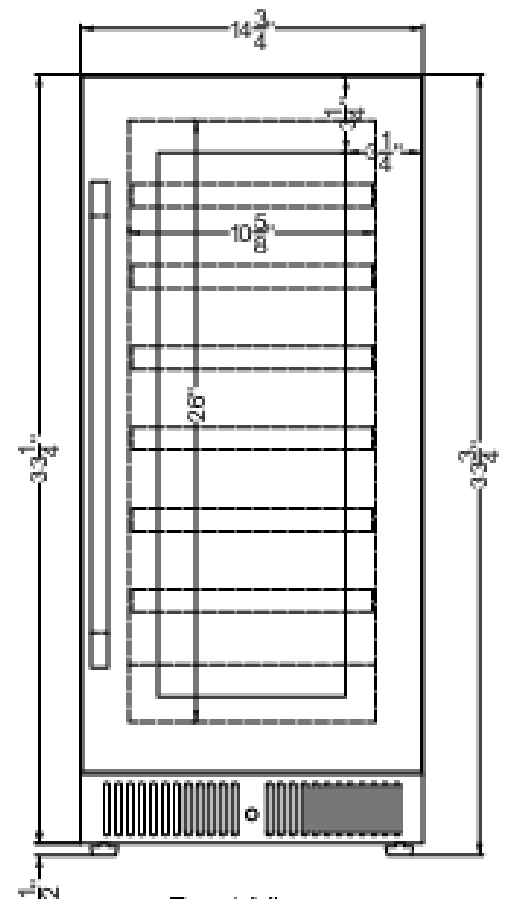
SDHW1532 Specifications:

| Overview | |
|----------------------------|-----------------------|
| Height of Cabinet | 33.75" (86 cm) |
| Width | 14.75" (37 cm) |
| Depth | 18.0" (46 cm) |
| Depth with Handle | 19.75" (50 cm) |
| Depth with door at 90° | 32.63" (83 cm) |
| Capacity | 1.8 cu.ft. (51 L) |
| Bottles | 18 bottles |
| Defrost Type | Frost-Free |
| Door | Glass |
| Cabinet | Black |
| US Electrical Safety | ETL |
| Canadian Electrical Safety | ETL-C |
| Sanitation | ETL-S |
| Amps | 1.0 |
| Voltage/Frequency | 115 V AC/60 Hz |
| Weight | 88.0 lbs. (40 kg) |
| Parts & Labor Warranty | 1 Year |
| Compressor Warranty | 5 Years |
| UPC | 761101106335 |
| Wine Cellar | |
| Number of Zones | 1 |
| Door Swing | RHD |
| Reversible | Yes |
| Adjustable Shelves | Yes |
| Shelf Type | Steel |
| Shelf Qty | 6 |
| Thermostat Type | Digital |
| Interior Light | Yes |
| Fan Type | Interior and Exterior |
| Refrigerant Type | R600a |
| Refrigerant Amount | 0.64 oz. |
| High Side PSI | 270.0 |
| Low Side PSI | 105.0 |
| Interior Height 1 | 26.0" (66 cm) |
| Interior Width 1 | 10.63" (27 cm) |
| Interior Depth 1 | 12.25" (31 cm) |
| Compressor Step Height | 3.75" (10 cm) |

| | |
|-----------------------|----------------|
| Compressor Step Width | 10.63" (27 cm) |
| Compressor Step Depth | 5.0" (13 cm) |
| Temperature Range | 41°F to 68°F |
| Sabbath Mode | Yes |
| Sound Level | 33.3 dB |



Top View



Front View