



ALWC15PNR



32" x 14.75" x 23.63" (H x W x D)

15" wide built-in ADA compliant glass door wine cellar for home or commercial use, with panel-ready door trim, digital controls, front lock, LED lighting, and black cabinet

Highlights:

Panel-ready door trim lets you blend the unit into your own cabinetry

32" height allows installation under lower ADA compliant counters

Flexible design allows built-in or freestanding use

Product Features:

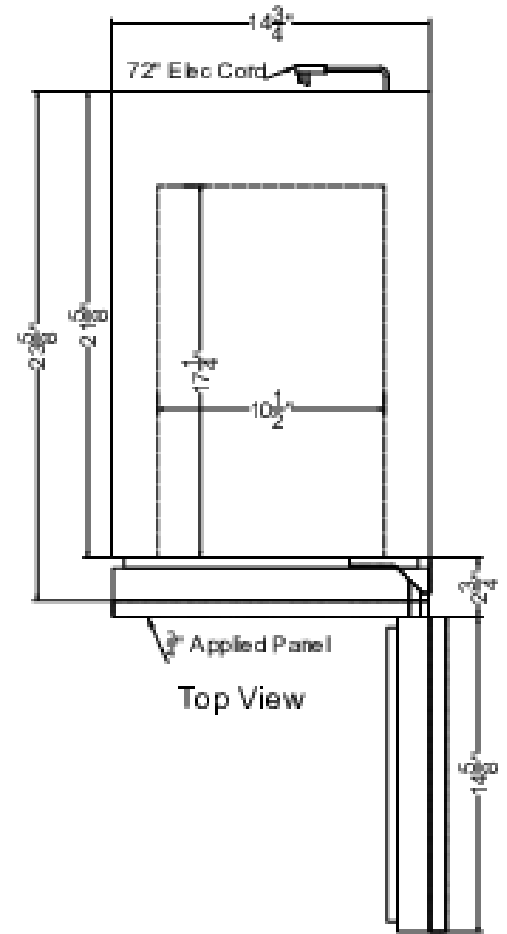
| | |
|---|---|
| 15" Wide Undercounter Wine Cellar | 32" high single zone glass door wine cellar with panel-ready door trim |
| ADA Compliant | Sized at 32" high for use under lower ADA compliant counters |
| Panel-ready door trim | European style articulating door hinge and bracket kit allow easy installation of custom door trim panels to match adjacent cabinetry |
| Built-in capable | Make the best use of space by installing your appliance under the counter |
| Commercial design | Meets UL-471 commercial standards |
| Seamless stainless steel trimmed glass door | Provides a full display of your stored collection with a heat-safe double tempered design |
| Factory installed lock | Keyed lock for a secure interior, with two keys included |
| Digital thermostat | Electronic controls for precise temperature management, with indicator lights for red, white, and sparkling wines |
| Digital display | Temperature readout can be shown in Celsius or Fahrenheit |

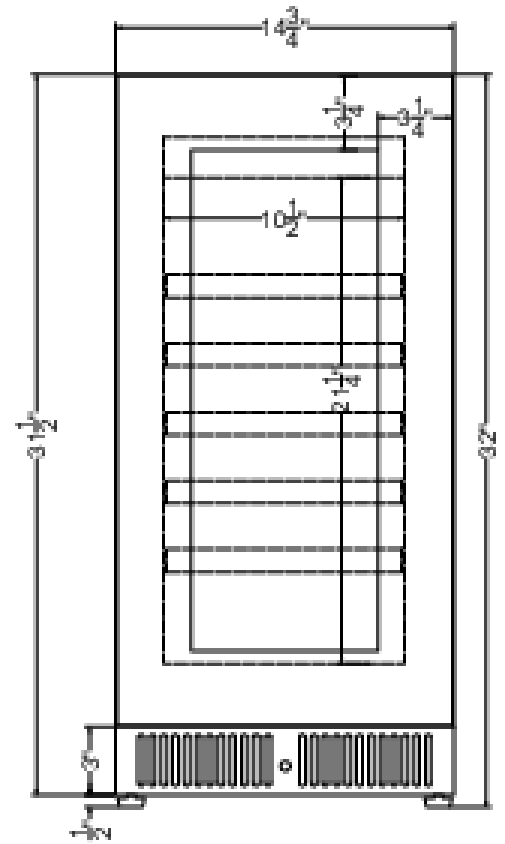


ALWC15PNR Specifications:

| Overview | |
|----------------------------|-------------------------|
| Height of Cabinet | 32.0" (81 cm) |
| Width | 14.75" (37 cm) |
| Depth | 23.63" (60 cm) |
| Depth with door at 90° | 38.25" (97 cm) |
| Capacity | 2.2 cu.ft. (62 L) |
| Bottles | 23 bottles |
| Defrost Type | Automatic |
| Door | Glass/Panel-Ready Frame |
| Cabinet | Black |
| US Electrical Safety | ETL |
| Canadian Electrical Safety | ETL-C |
| Amps | 1.0 |
| Voltage/Frequency | 115 V AC/60 Hz |
| Weight | 65.0 lbs. (29 kg) |
| Parts & Labor Warranty | 1 Year |
| Compressor Warranty | 5 Years |
| UPC | 761101082882 |
| Wine Cellar | |
| Number of Zones | 1 |
| Door Swing | RHD |
| Reversible | Yes |
| Adjustable Shelves | Yes |
| Shelf Type | Wood |
| Shelf Qty | 5 |
| Thermostat Type | Digital |
| Interior Light | Yes |
| Refrigerant Type | R600a |
| Refrigerant Amount | 0.78 oz. |
| High Side PSI | 270.0 |
| Low Side PSI | 105.0 |
| Interior Height 1 | 21.25" (54 cm) |
| Interior Width 1 | 10.5" (27 cm) |
| Interior Depth 1 | 17.25" (44 cm) |
| Compressor Step Height | 3.5" (9 cm) |

| | |
|-----------------------|---------------|
| Compressor Step Width | 10.5" (27 cm) |
| Compressor Step Depth | 5.0" (13 cm) |
| Level Legs | 4 |
| Temperature Range | 41° to 64°F |
| Sabbath Mode | Yes |
| Sound Level | 32.9 dB |





Front View