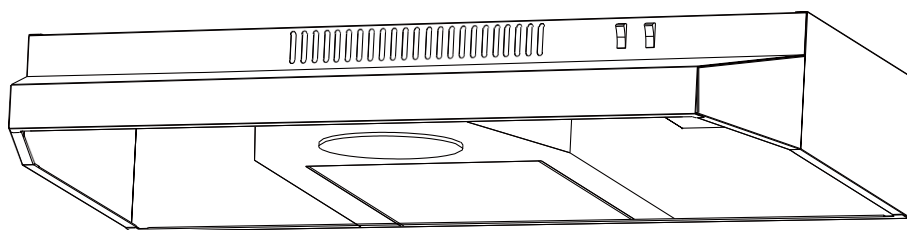




# ADA-COMPLIANT RANGE HOOD



### Models:

H24RSS	H24RSSADA	H24SSCVADA
	H24RBADA	H24BCVADA
	H24RWADA	H24WCVADA
H30RSS	H30RSSADA	H30SSCVADA
	H30RBADA	H30BCVADA
	H30RWADA	H30WCVADA
H36RSS	H36RSSADA	H36SSCVADA
	H36RBADA	H36BCVADA
	H36RWADA	H36WCVADA

### *User Manual*

***Read and save these instructions.***

*Write Model and Serial Numbers here:*

Model: \_\_\_\_\_

Serial No.: \_\_\_\_\_

Felix Storch, Inc.  
 Summit Appliance Division  
 An ISO 9001:2015 registered company  
 770 Garrison Avenue Bronx, New York  
 10474

[www.summitappliance.com](http://www.summitappliance.com)

# IMPORTANT SAFETY INSTRUCTIONS

APPROVED FOR RESIDENTIAL APPLIANCES FOR RESIDENTIAL USE ONLY

READ AND SAVE THESE INSTRUCTIONS

BEFORE USE, PLEASE READ AND FOLLOW ALL SAFETY RULES AND OPERATING INSTRUCTIONS  
INSTALLATION MUST COMPLY WITH ALL LOCAL CODES.

**IMPORTANT:** Save these Instructions for the Local Electrical Inspector's use.

**INSTALLER:** Please leave these Instructions with this unit for the owner.

**OWNER:** Please retain these instructions for future reference.

## SYMBOLS USED IN THIS MANUAL



Hazards or unsafe practices that may result in severe personal injury or death.

### WARNING



Hazards or unsafe practices that may result in electric shock, personal injury, or property damage.

### CAUTION

### NOTE

Useful tips and instructions. These warning icons and symbols are here to prevent injury to you and others. Please follow them explicitly. After reading this section, keep it in a safe place for future reference.

***Read and save these instructions.***


# EQUIPMENT SAFETY


**WARNING:** To reduce the risk of fire, electric shock, or injury to persons, observe the following:


- Read all instructions before using the appliance.
- Use this appliance only for its intended purpose as described in this user manual.
- Do not use any accessories not recommended by the manufacturer.
- This unit must be grounded.
- Do not use this appliance for commercial uses.
- Do not use this unit with any solid-state speed control device.
- Installation work and electrical wiring must be done by qualified technicians in accordance with all applicable codes and standards, including fire-rated construction.
- Sufficient air is needed for proper exhausting gases of fuel-burning equipment through the flue (chimney) to prevent back drafting. Follow the heating equipment manufacturer's guidelines and safety standards such as those published by the National Fire Protection Association (NFPA), and the American Society for Heating, Refrigeration and Air Conditioning Engineers (ASHRAE), and local code authorities.
- When replacing an existing range hood with your new SUMMIT Range Hood, turn OFF the electrical power to the existing unit before removal.
- Before servicing or cleaning the unit, unplug the unit first.
- Do not repair or replace any part of the appliance or attempt any servicing.
- NOTE: If for any reason this product requires service, we strongly recommend that a certified technician perform the service.
- When cutting or drilling into a wall or ceiling, be careful not to damage existing electrical wiring and other hidden utilities.
- Ducted fans must always be vented to the outdoors.


**WARNING-** To reduce the risk of a range top grease fire:


1. Never leave any cooking unattended at high settings. Boilovers cause smoking and grease spillovers that may ignite. Heat oils slowly on low or medium settings.
2. Always turn the hood ON when cooking flaming foods (i.e., Crepes Suzette, Cherries Jubilee, Peppercorn Beef Flambe').
3. Clean ventilation fans frequently. Do not allow grease to accumulate on the fan or the filter.
4. Use proper-sized pans that correspond to the size of the stove and the amount of food being cooked.


 **DANGER:** Turn off the power circuit breaker or the power switch on the junction box before installing or servicing this unit. Touching circuitry inside the range hood while it is energized will result in death or serious injury.


 **DANGER:** All electrical wiring must be properly installed, insulated, and grounded. Improper insulation and grounding will result in deadly electrical shock.


 **DANGER:** If installing this unit over a gas range, turn off the gas at the source before installing or servicing this unit.


 **WARNING:** Attempting to install or service this unit when you do not have the necessary technical or electrical background could result in personal injury.


 **WARNING:** The unit has sharp edges. Always wear safety gloves during installation, cleaning, or servicing.


 **WARNING:** Always leave safety grills and filters in place. Without these components, operating fans could catch on to hair, fingers, or loose clothing.

 **WARNING:** Stay clear of the rotating fan when the motor is running.

 **WARNING:** Keep this appliance clean and free of grease and residue build-up at all times to prevent fires.

 **CAUTION:** This device is for general ventilating use only. Do not use to exhaust hazardous or explosive materials and vapors.

 **CAUTION**  
For general ventilating use only. Do not use to exhaust hazardous or explosive materials and vapors.

 **CAUTION**  
To reduce the risk of fire and to properly exhaust air, be sure to duct air outside - do not vent exhaust air into spaces within walls or ceilings, attics or into crawl spaces, or garages.

 **WARNING**  
**TO REDUCE THE RISK OF FIRE, USE ONLY METAL DUCTWORK.**

### Cooking Safety Information:

1. Never leave the range hood unattended when in use.
2. Never cook over open flames under the range hood.
3. Always turn the range hood on when cooking at high heat or when cooking flaming foods.
4. The minimum installation distance above the range (D) is 18 in. (458 mm). Use extra caution as the surface of the range hood may become extremely hot to the touch if the range is operated on high power for an extended amount of time.
5. Use caution when cooking with oil or with deep fryers. Overheating may cause oil to reach its flash point and ignite. Used oil will ignite at lower temperatures than fresh oil. Heat oils slowly on low to medium setting.
6. Avoid boil overs, as they may cause smoking and greasy spillovers that could ignite.
7. To prevent burns or fires, always use cookware appropriate to the size of the heating element that you are using.

**WARNING-** To reduce the risk of injury to persons in the event of a range top grease fire, observe the following\*:

1. SMOTHER FLAMES with a close-fitting lid, cookie sheet, or metal tray, then turn off the burner. BE CAREFUL TO PREVENT BURNS. If the flames do not go out immediately. EVACUATE AND CALL THE FIRE DEPARTMENT.
2. NEVER PICK UP A FLAMING PAN — You may be burned.
3. DO NOT USE WATER, including wet dishcloths or towels – a violent steam explosion will result.
4. Use an extinguisher ONLY if:
  - a. You know you have a Class ABC extinguisher, and you already know how to operate it.
  - b. The fire is small and contained in the area where it started.
  - c. The fire department is being called.
  - d. You can fight the fire with your back to an exit.

\*Based on “Kitchen Fire Safety Tips” published by NFPA.

### Cleaning Safety Information

1. The fan and filter must be cleaned periodically and kept free from the accumulation of cooking. Old, worn, or broken filters must be replaced immediately.
2. Never disassemble parts to clean. Parts should be disassembled by qualified persons only.

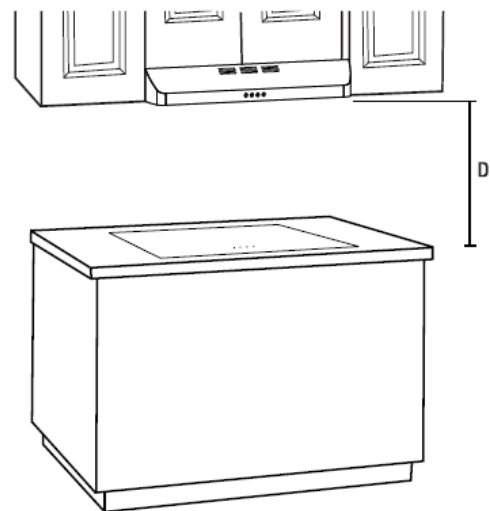
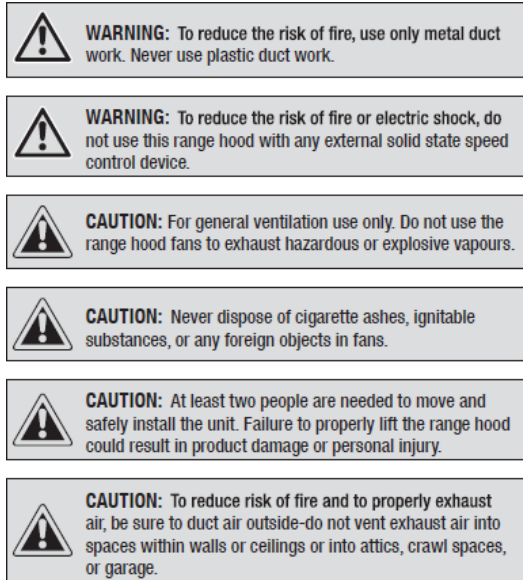


Fig. 1

# INSTALLATION INSTRUCTIONS

**CAUTION:** Before beginning the installation, switch the power off at the circuit breaker and lock the service, disconnecting means to prevent power from being switched on accidentally. When the service disconnecting means cannot be locked, securely fasten a prominent warning device, such as a tag, to the breaker.

## Ductwork Requirements

**NOTE:** Read the ductwork sections only if you do not have existing ductwork. If you have existing ductwork, skip to the *Damage* section, and proceed.

The venting system must exhaust to the outside. This hood can be vented vertically through upper cabinets or horizontally into an outside wall. Ductwork is not included.

**CAUTION:** To reduce the risk of fire and to properly exhaust air, be sure to duct the air outside. Do NOT vent exhaust air into spaces within walls or into ceilings, attics, crawl spaces, or garages.

## Exhaust Connection

The hood exhaust has been designed to mate with a standard 3 ¼" x 10" rectangular ducting or a 7" diameter transition adaptor must be used. If a rectangular-to-round transition adaptor is used, the bottom corners of the damper will have to be cut to fit, using tin snips, in order to allow free movement of the damper. Equivalent lengths of duct pieces are based on actual tests and reflect requirements for good venting performance with any hood. Do NOT use less than a 6" diameter duct.

## Maximum Duct Length

For satisfactory air movement, the total duct length of a 3 ¼" x 10" rectangular, or 6" or 7" diameter round duct should not exceed 65 equivalent feet. See the *Worksheet – Calculate Total Equivalent Ductwork Length* section.

**NOTE:** It is important that ducting be installed using the most direct route and with as few elbows as possible. This ensures clear venting of exhaust and helps prevent blockages. Also, make sure dampers swing freely and nothing is blocking the ducts. When applicable, install any makeup (replacement) air system in accordance with local building code requirements.

Elbows, transitions, wall, and roof caps present additional resistance to airflow and are equivalent to a section of straight duct longer than their actual physical size. When calculating the total duct length, add the equivalent lengths of all transitions and adaptors plus the length of all straight duct sections. The charts on the following pages show you how to calculate total equivalent ductwork length using the approximate feet of equivalent length of some typical ducts.

## Damage

- If the unit is damaged in shipment, return the unit to the store in which it was bought for repair or replacement.
- If the unit is damaged by the customer, repair or replacement is the responsibility of the customer.
- If the unit is damaged by the installer (if other than the customer), repair or replacement must be made by arrangement between customer and installer.

## Wiring Connection

Installation work and electrical wiring must be done by a qualified person(s) in accordance with all applicable codes and standards, including fire-rated construction.

- Electrical grounding is required for this range hood. Check with a qualified electrician if you are not sure whether the range hood is properly grounded. A fuse in the neutral or grounding circuit could result in electrical shock.
- Failure to follow electrical requirements may result in a fire.
- If the hot/cold water pipe is interrupted by plastic nonmetallic gaskets or other materials, DO NOT use for grounding.
- DO NOT GROUND TO A GAS PIPE.

**NOTE:** It is the customer's responsibility to contact a qualified electrical installer and assure that the electrical installation is adequate and complies with the National Electrical Code, or CSA standards, as well as all local codes and ordinances.

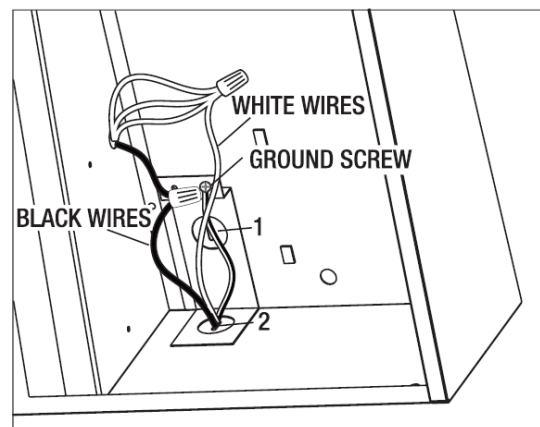
- Save installation instructions for electrical inspector's use.
- If codes permit and a separate ground wire is used, it is recommended that a qualified electrician determine if the ground path is adequate.
- DO NOT use an extension cord or adapter plug with this appliance.
- The range hood must be connected with copper wire only.
- The range hood should be connected directly to the junction (or circuit breaker) box through flexible, armored, or nonmetallic sheathed copper cable. Allow some slack in the cable so the appliance can be moved if servicing is ever necessary.
- A UL listed or CSA approved conduit connector must be provided at each end of the power supply cable (at the range hood and at the junction box).
- When making the electrical connection, cut a 3.2 cm (1-1/4 in) hole in the wall. A hole cut through wood must be sanded until
- smooth. A hole through metal must have a grommet.
- 10. When cutting or drilling into the wall or ceiling, do not damage electrical wiring and other hidden utilities.

**NOTE:** Temporarily wire the range hood to test it for proper operation. If the range hood does not operate correctly, do not proceed with the installation.



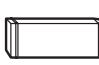
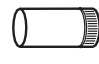
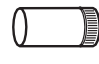
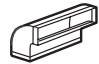







**DANGER:** Risk of electrical shock. This range hood must be properly grounded.

1. Use the power supply cable to connect the range hood (A) directly to the junction box or circuit breaker box. Use a flexible, armored, or nonmetallic sheathed copper cable only. Never use an extension cord or adapter plug.
2. Connect a UL-listed or CSA-approved conduit connector to each end of the power supply cable (at the range hood and at the junction box). Connect the 2 colored wires from the range hood (A) to the corresponding wires from the electrical source: black to black (live), white to white (neutral), and the house grounding wire to the ground screw. Use either the top hole (1) or the back hole (2) of the range hood depending on your installation type.
3. Turn the power on and ensure that the lights and the fan are operating correctly.
4. Once you have tested the electrical connection, disconnect the power supply cable and wires from the electrical source before proceeding with the rest of the installation.













# Installation Instructions

## WORKSHEET—CALCULATE TOTAL EQUIVALENT DUCTWORK LENGTH

DUCT PIECES	EQUIVALENT NUMBER LENGTH x USED				=	TOTAL
 3 1/4" x 10" Rect., straight	1 Ft.	x	) (	=		Ft.
 7" Round, straight	1 Ft.	x	) (	=		Ft.
 6" Round, straight	1 Ft.	x	) (	=		Ft.
 3 1/4" x 10" Rect. 90° elbow	14 Ft.	x	) (	=		Ft.
 3 1/4" x 10" Rect. 45° elbow	8 Ft.	x	) (	=		Ft.
 3 1/4" x 10" Rect. 90° flat elbow	33 Ft.	x	) (	=		Ft.
 3 1/4" x 10" Rect. wall cap with damper	24 Ft. (18 ft. w/o damper)	x	) (	=		Ft.
 3 1/4" x 10" Rect. to 6" round transition	2 Ft.	x	) (	=		Ft.
 3 1/4" x 10" Rect. to 6" round transition 90° elbow	4 Ft.	x	) (	=		Ft.
 6" Round, 90° elbow	25 Ft.	x	) (	=		Ft.
 6" Round, 45° elbow	16 Ft.	x	) (	=		Ft.
Subtotal column 1					=	Ft.

**MAXIMUM DUCT LENGTH:** For satisfactory air movement, the total duct length of a 3 1/4" x 10" rectangular, 7" diameter round duct **should not exceed 65 equivalent feet.**

**NOTE:** Any home ventilation system, such as a ventilation hood, may interrupt the proper flow of combustion air and exhaust required by fireplaces, gas furnaces, gas water heaters and other naturally vented systems. To minimize the chance of interruption of such naturally vented systems, follow the heating equipment manufacturer's guidelines and safety standards such as those published by NFPA and ASHRAE. When applicable, install any makeup (replacement) air system in accordance with local building code requirements.

DUCT PIECES	EQUIVALENT NUMBER LENGTH X USED				=	TOTAL
 6" Round wall cap with damper	53 Ft. (39 ft. w/o damper)	x	) (	=		Ft.
 6" Round roof cap	72 Ft.	x	) (	=		Ft.
 6" Round to 3 1/4" x 10" rect. transition	3 Ft.	x	) (	=		Ft.
 6" Round to 3 1/4" x 10" rect. transition 90° elbow	9 Ft.	x	) (	=		Ft.
 7" Round, 90° elbow	14 Ft.	x	) (	=		Ft.
 7" Round, 45° elbow	9 Ft.	x	) (	=		Ft.
 7" Round wall cap with damper	28 Ft. (21 ft. w/o damper)	x	) (	=		Ft.
 7" Round roof cap	39 Ft.	x	) (	=		Ft.
 7" Round to 3 1/4" x 10" rect. transition	1 Ft.	x	) (	=		Ft.
 7" Round to 3 1/4" x 10" rect. transition, 90° elbow	5 Ft.	x	) (	=		Ft.
Subtotal column 2					=	Ft.
Subtotal column 1					=	Ft.
<b>Total ductwork</b>					=	<b>Ft.</b>

## Choosing a Vent Option

Determine the vent option that your installation will require and that is available for your model from the below choices.

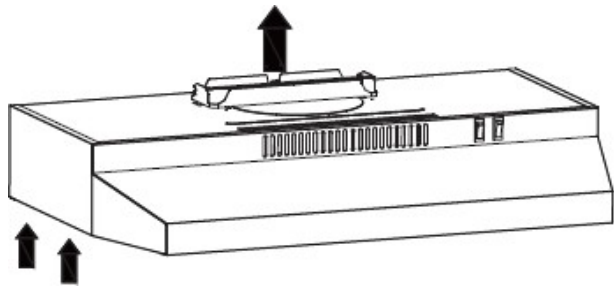
**NOTE:** If the hood is to be installed in a recirculating, non-vented, ductless manner, do not knock out any vent openings in the hood.



**WARNING:** Always wear safety goggles and gloves during installation.

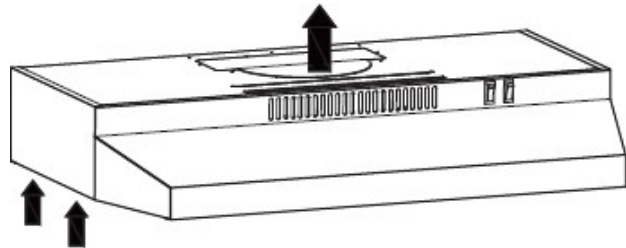
### A. Outside Top Exhaust

Vertical duct 3 1/4" x 10" rectangular



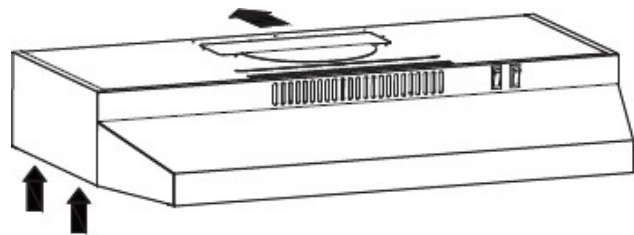
### B. Outside Top Exhaust

Vertical duct 7" round



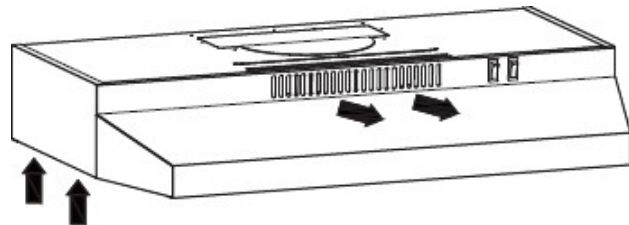
### C. Outside Rear Exhaust

Horizontal duct 3 1/4" x 10" rectangular



### D. Recirculating

Non-vented/ductless





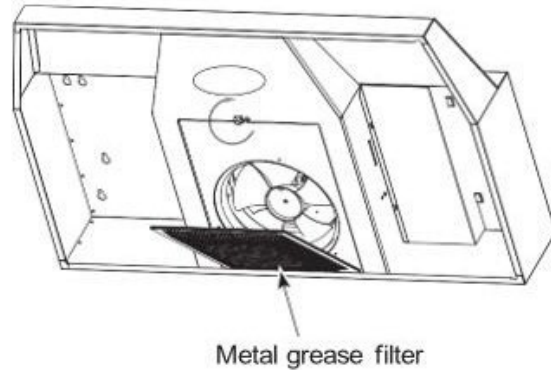
## Duct Installation

### Remove the Filter

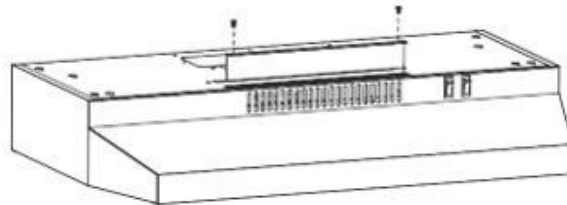
Take out filters from the accessory bag. Tear off film from grease filter. Put charcoal filter on grease filter. Slip the back edge of the filter into the retaining slot. Rotate the filter block pin to fix the filters into place.



**WARNING:** Failure to replace worn out or damaged filters will increase the risk of fire.

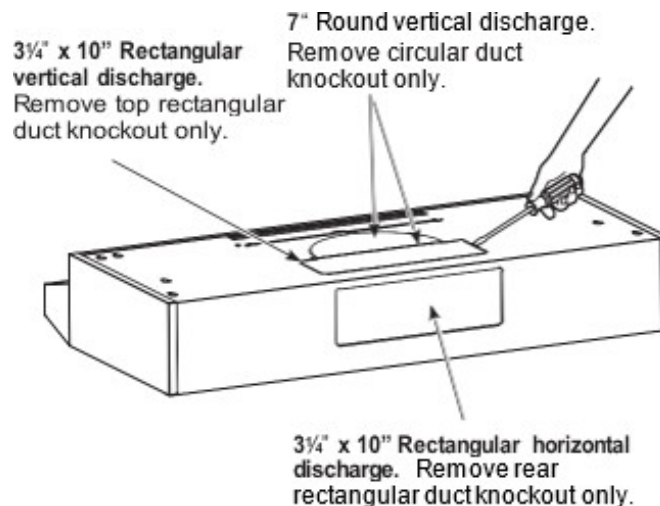


If you are venting indoors, unscrew the 2 screws holding the baffle in place and remove the baffle. **DO NOT REMOVE ANY OTHER VENTING HOLE COVER.** If the hood is to be recirculated, skip to the *Cut Holes* step.



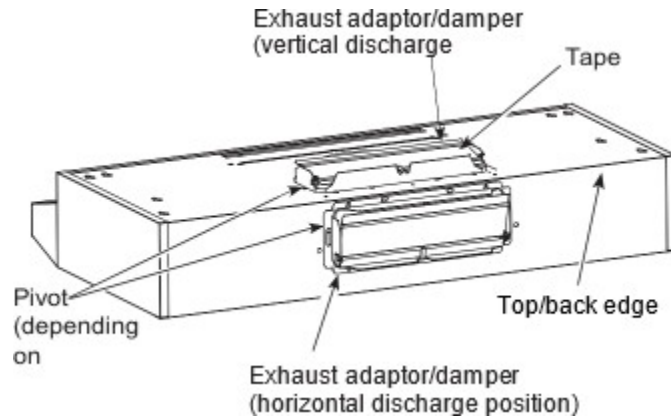
### Remove the Duct Knockout

Using a flat-blade screwdriver, remove the appropriate duct knockout from the top or back of the hood.



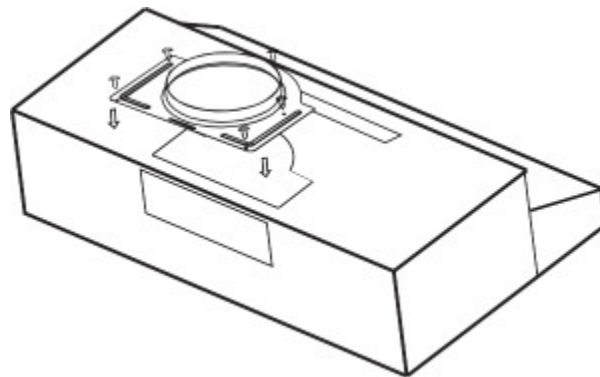
### **For 3 1/4" x 10" Rectangular Ducted Installation**

1. Remove tape from damper flap.
2. Attach exhaust adaptor/damper over the appropriate knockout opening (for vertical or horizontal, depending on installation) with six exhaust adaptor screws. Make sure damper pivot is nearest to top/back edge of hood.



### **For 7" Round Vertical Ducted Discharge Installation**

1. 7" round duct plate is not included. You should purchase from the dealer.
2. On 7" round installations, attach the 7" duct with five mounting screws through the holes in the 7" round duct.



### **For Recessed-Bottom Cabinets**

If the cabinets have front, side or back trim, make 2 wood shims a minimum of 3/8" thick and cut to fit the width of the inner recessed cabinet bottom. Attach them to the cabinet bottom recess on both sides. See Step 9 for marking locations.

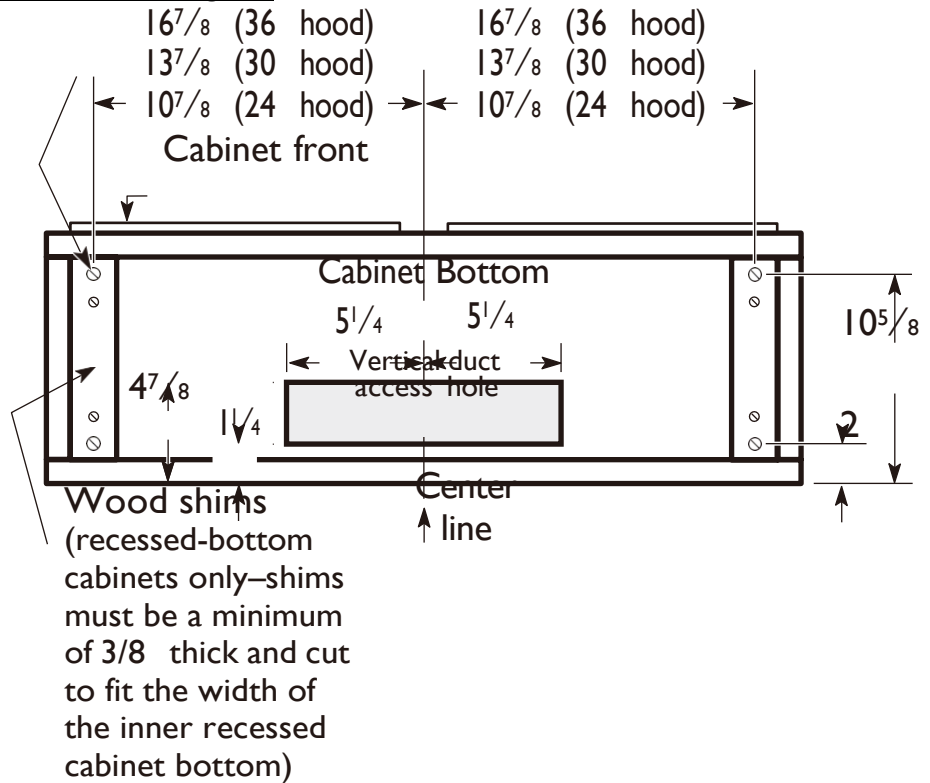


## Mark Holes

Select the vent option that your installation will require and proceed to that section:

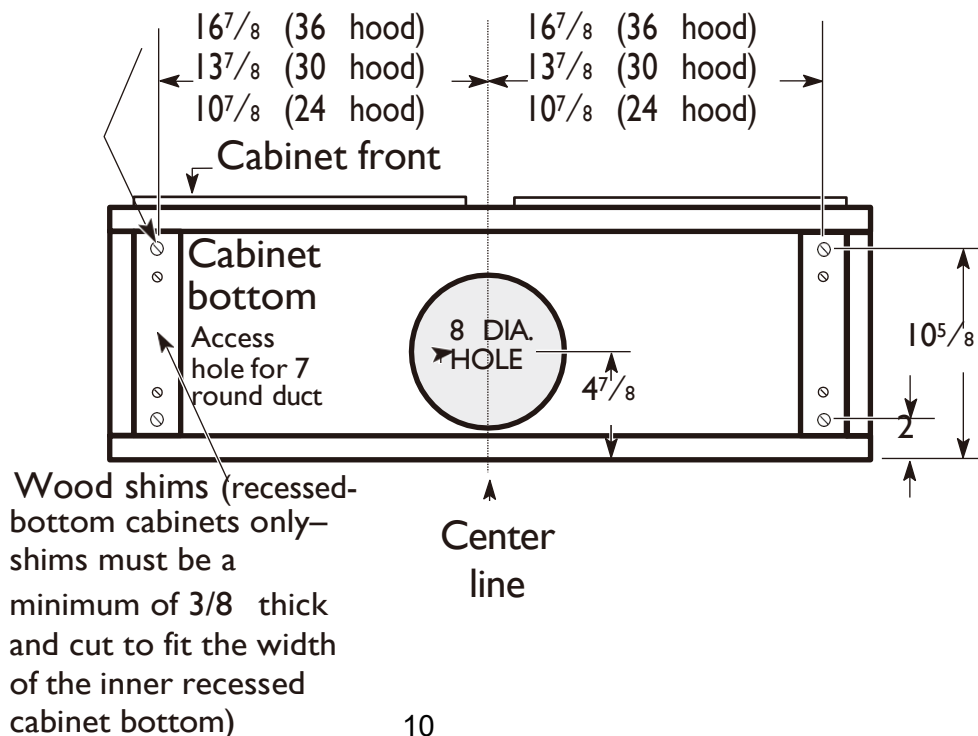
### Outside Top Exhaust – 3 1/4" x 10" Rectangular

Use the diagram to the right or the hood itself as a template and mark the locations on the cabinet for ductwork and keyhole screw slots.



### Outside Top Exhaust – Vertical duct 7" Round

Use the diagram to the right or the hood itself as a template and mark the locations on the cabinet for ductwork and keyhole screw slots.

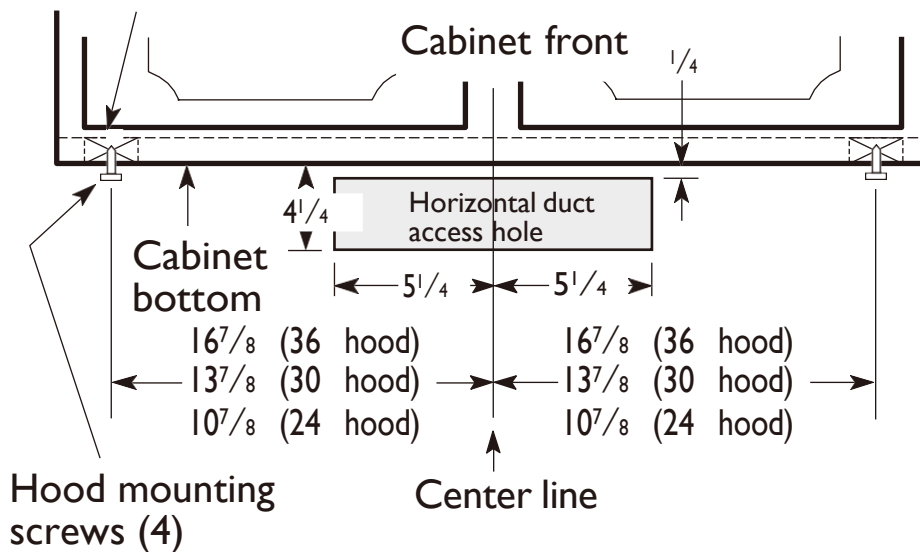


## **Outside Rear Exhaust – 3 1/4" x 10" Rectangular**

Use the diagram to the right or the hood itself as a template and mark the locations on the cabinet for ductwork and keyhole screw slots.

### **Wood shims**

(Recessed-bottom cabinets only—shims must be a minimum of 3/8" thick and cut to fit the width of the inner recessed cabinet bottom)

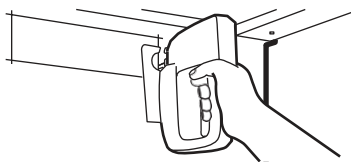


## **Recirculating**

- Use the hood as a template and mark the locations on the cabinet for ductwork and keyhole screw slots.
- Since the hood is to be recirculated (not to be vented outside), do not cut out any vent openings in the wall or cabinet bottom.

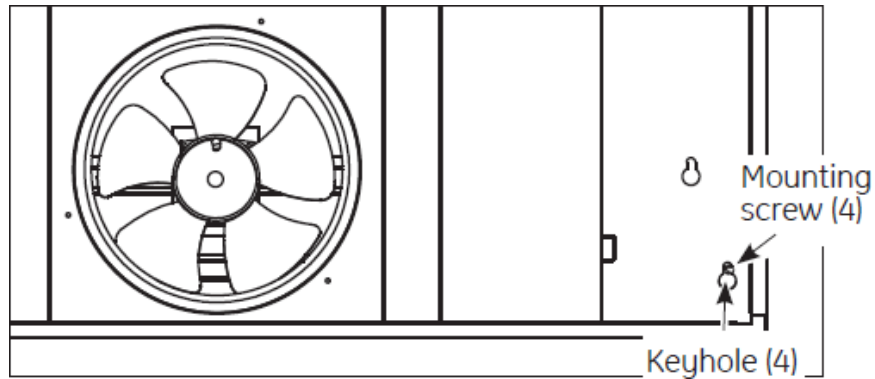
## **Cut Holes**

- Cut holes at marked locations for duct.
- For the vertical duct, cut out 3/4" extra toward the front of the cabinet so you can move the duct freely when installing the hood. It may also ease installation by cutting the hole 10 1/2" instead of 10".
- Drive a mounting screw (from the hardware packet) part way into each center of the narrow neck of the keyhole slots marked on the cabinet bottom.



## Secure the Hood

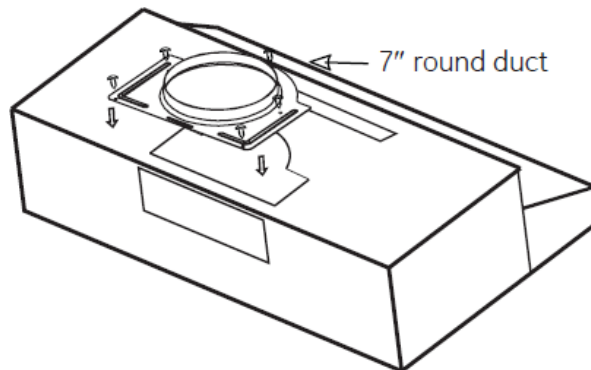
Slide the hood back against the wall. Tighten the mounting screws. Be sure the screw heads are in the narrow neck of the keyhole slot.



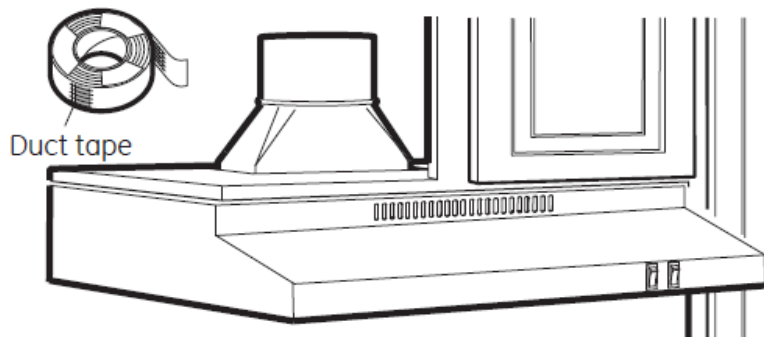
**NOTE:** DO NOT push the fan blade. Pushing on the blade may cause it to interfere with other hood parts.

## Connect the Ductwork to the Hood (Ducted Installations Only)

- 7" round duct plate is not included. You should purchase from the dealer.
- On 7" round installations, attach the 7" duct with five mounting screws through the holes in the 7" round duct.

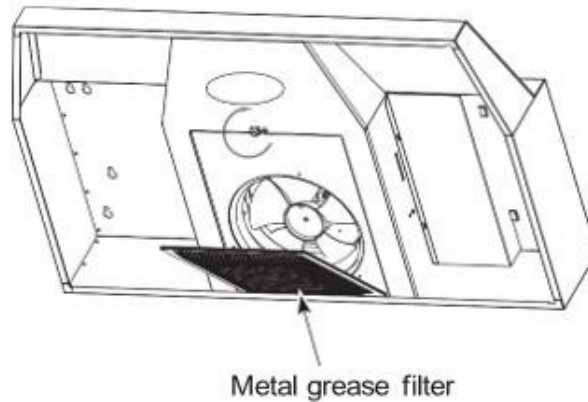


- Use duct tape to make joints secure and tight.



## Replace the Filter

Make sure fan blade turns freely and replace the filter.



**NOTE:** Install the metal grease filter if ducted or the charcoal filter if recirculated.

The installation is complete. Turn on the power at the breaker box and test the hood for proper operation.



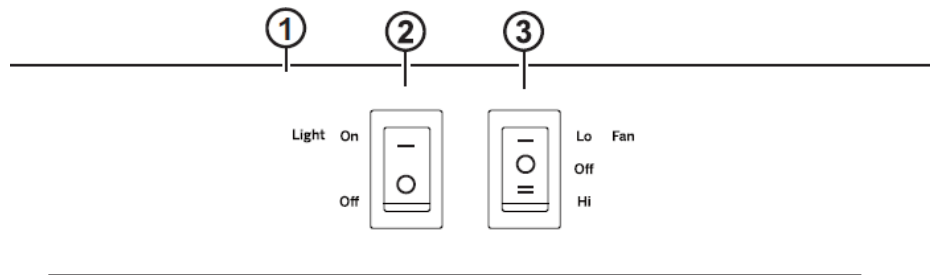
**WARNING:** Failure to replace worn out or damaged filters will increase the risk of fire.



**WARNING:** Light bulbs can become hot when turned on. Do not touch bulbs until they are switched off and cooled. Touching hot bulbs could cause serious burns.

# OPERATING YOUR RANGE HOOD

## Controls



### 1. Range Hood Control Panel

The control panel is located on the front of the canopy.

### 2. Light Switch

The light switch toggles between ON and OFF.

### 3. Fan Power Supply

The power switch toggles between the fan settings LO, HI, and OFF.

For instructions on how to install a remote switch to make this unit ADA-compliant, go to pg. 16

# REMOTE SWITCH INSTALLATION (models with ADA suffix)

**NOTE:** Installation and service must be performed by a qualified installer/electrician

## **WARNING:**

To avoid fire or electrical shock, turn off the power at the circuit breaker. Test to ensure that the power is off before starting the wiring.

### **MOUNTING THE SWITCH BOX**

Install a single gang-recessed switch box at a convenient location.

**NOTE:** If installing this switch in accordance with ADA guidelines, the height of the light switch must be no lower than 15" from the floor and no higher than 48" from the floor. Additional regulations apply if there are any obstructions in front of the switch. For more information, refer to Section 308 of the most recent ADA Standards for Accessible Design at [ada.gov](http://ada.gov).

Make a note of the configuration of the switches: the fan switch has three terminals, while the light switch has two.

### **INSTALLING THE MAIN POWER SUPPLY**

Attach the power cable through the cable knockout.

Unscrew the panel to the left of the fan and the three screws on the underside of the unit to access the wiring of the unit and remove the grease filter.

## **WIRING**

### **CONNECTING THE FAN SWITCH**

Connect the wires from the fan terminals to the corresponding terminals on the remote switch. (i.e., Wire #1 in the fan terminal will connect to terminal #1 on the remote switch)

### **CONNECTING THE LIGHT SWITCH**

Connect the wires from the light switch to the corresponding terminals on the light switch,

Close the access panel.

# CLEANING AND CARE

**CAUTION:** Be sure the range hood is disconnected from the power supply and all surfaces are cool before cleaning any part of the vent hood.

## Reusable Metal Grease Filter – Ducted Installations Only

The efficiency of your hood depends on a clean filter. Frequency of cleaning depends on hood use and the type of cooking you do. However, the grease filter should be cleaned at least once a month.

### To Remove

Rotate the filter block pin to slip the filters out of the hood.

### To Clean

Soak and then agitate the filter in a solution of hot water and a mild detergent. Light brushing can be used to remove any embedded dirt. Rinse, shake and let it dry before replacing.

### To Replace

Insert the back edge of the filter into the retaining slot and push the front edge up until the filter close against main body. Rotate filter block pin to fix the filter into place.

**NOTE:** NEVER OPERATE THE HOOD WITHOUT THE FILTER IN PLACE. With careful handling, the metal filter will last for years. If a new replacement filter becomes necessary, order the part from your dealer.

## Charcoal Filter – Recirculating Installations Only

**NOTE:** DO NOT rinse or put charcoal filters in an automatic dishwasher.

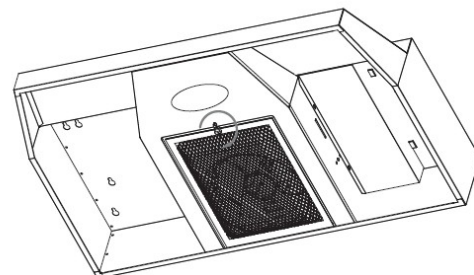
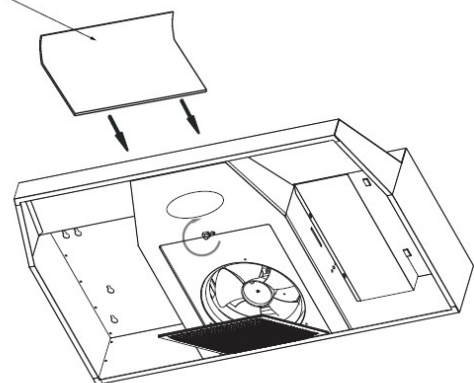
- The charcoal filter cannot be cleaned. It must be replaced. Replacement filters can be ordered from your supplier.
- If the hood is not vented to the outside, the air will be recirculated through a disposable charcoal filter that helps remove smoke and odors.
- The charcoal filter should be replaced after 6 to 12 months (depending on hood usage).

(SKIP THIS STEP IF YOU ARE USING EXTERIOR VENTING)

**NOTE:** The charcoal filter should only be installed if you are not using an external venting system.

- Turn the filter clip to either side and lift the aluminum filter.
- Place the charcoal filter in place, ensure that it covers the air outlet entirely.
- Turn the filter clip so that the end of the clip holds the filter firmly in place.

Replaceable charcoal filter





## Surfaces

**CAUTION:** *When cleaning the hood surfaces, be certain that you do not touch the light bulb with moist hands or cloth. A warm or hot light bulb may break if touched with a moist surface. Always let the light bulb cool completely before cleaning around it.*

- Stainless Steel Surfaces (on some models) Do not use a steel-wool pad; it will scratch the surface.
- To clean the stainless steel surface, use warm sudsy water or a stainless steel cleaner or polish. Always wipe the surface in the direction of the grain. Follow the cleaner instructions for cleaning the stainless steel surface.

**NOTE:** When cleaning, take care not to come in contact with filters and other non-enameled surfaces.

- Do not use steel-wool pads or other abrasive cleaners on painted surfaces. They will scratch the surface.
- Clean grease-laden surfaces of the hood frequently. To clean the hood surface, use a hot, damp cloth with a mild detergent suitable for painted surfaces. About one tablespoon of ammonia may be added to the water. Use a clean, hot, damp cloth to remove soap. Dry with a dry, clean cloth.

# TROUBLESHOOTING

You can solve many common problems easily, possibly saving you the cost of a service call. Try the suggestions below to see if you can solve the problem before calling the servicer.

*If the hood seems to be operating at high speed when the control is not set on high, or if ventilation seems inadequate, check the following:*

- Knockouts not removed from the hood. Damper blade not opening.
- Reduced airflow because the duct is too small, or the duct length is too long.
- The duct is blocked.
- Undersized or restrictive wall or roof cap.

*If the hood seems to make excessive noise:*

- Fan may be hitting the filter. Turn off the fan and remove the filter. Bend the filter down slightly in the center (into a dome shape) to allow fan clearance. Reinstall and adjust as needed.

*The fan does not work but the lights do:*

- Switch power off at the service panel and lock the service disconnecting means to prevent power from being switched on accidentally. When the service disconnecting means cannot be locked, securely fasten a prominent warning device, such as a tag, to the service panel.
- Check the wiring connections. See the *CONNECT WIRING* section in these Installation Instructions.

If you've checked the table above and find that you still need help with your appliance, call our Customer Service facility at **800-932-4267** between 9:00AM and 5:00PM ET or visit our website [summitappliance.com/support](http://summitappliance.com/support) at any time. We will do our best to answer your questions.

# LIMITED WARRANTY

Within the 48 contiguous United States, for one year from the date of purchase, when this appliance is operated and maintained according to instructions attached to or furnished with the product, warrantor will pay for factory- specified parts and repair labor to correct defects in materials or workmanship. Service must be provided by a designated service company. Outside the 48 states, all parts are warranted for one year from manufacturing defects. Plastic parts, shelves and cabinets are warranted to be manufactured to commercially acceptable standards and are not covered from damage during handling or breakage.

## **ITEMS WARRANTOR WILL NOT PAY FOR:**

1. Service calls to correct the installation of your appliance, to instruct you how to use your appliance, to replace or repair fuses or to correct wiring or plumbing.
2. Service calls to repair or replace appliance light bulbs or broken glass shelves. Consumable parts (such as filters) are excluded from warranty coverage.
3. Damage resulting from accident, alteration, misuse, abuse, fire, flood, acts of God, improper installation, installation not in accordance with electrical or plumbing codes, or use of products not approved by warrantor.
4. Replacement parts or repair labor costs for units operated outside the United States.
5. Repairs to parts or systems resulting from unauthorized modifications made to the appliance.
6. The removal and reinstallation of your appliance if it is installed in an inaccessible location or is not installed in accordance with published installation instructions.

## **DISCLAIMER OF IMPLIED WARRANTIES; LIMITATION OF REMEDIES**

CUSTOMER'S SOLE AND EXCLUSIVE REMEDY UNDER THIS LIMITED WARRANTY SHALL BE PRODUCT REPAIR AS PROVIDED HEREIN. IMPLIED WARRANTIES, INCLUDING WARRANTIES OF MERCHANTABILITY OR FITNESS FOR A PARTICULAR PURPOSE, ARE LIMITED TO ONE YEAR. WARRANTOR SHALL NOT BE LIABLE FOR INCIDENTAL OR CONSEQUENTIAL DAMAGES. SOME STATES DO NOT ALLOW THE EXCLUSION OR LIMITATION OF INCIDENTAL OR CONSEQUENTIAL DAMAGES, OR LIMITATIONS ON THE DURATION OF IMPLIED WARRANTIES OF MERCHANTABILITY OR FITNESS, SO THESE EXCLUSIONS OR LIMITATIONS MAY NOT APPLY TO YOU. THIS WARRANTY GIVES YOU SPECIFIC LEGAL RIGHTS AND YOU MAY ALSO HAVE OTHER RIGHTS, WHICH VARY FROM STATE TO STATE.



**WARNING:** This product can expose you to chemicals including Nickel (Metallic) which is known to the State of California to cause cancer.

For more information go to [www.P65Warnings.ca.gov](http://www.P65Warnings.ca.gov)

Note: Nickel is a component in all stainless steel and some other metallic compositions.

Felix Storch, Inc.  
An ISO 9001:2015 registered company  
770 Garrison Ave  
Bronx, New York 10474  
[www.summitappliance.com](http://www.summitappliance.com)

# SUMMIT®

For parts and accessory ordering,  
troubleshooting and helpful hints, visit:  
[www.summitappliance.com/support](http://www.summitappliance.com/support)