



PORTABLE OUTDOOR KITCHENETTE OWNER'S MANUAL

Model No.: CARTOS54LS/CARTOS54LG/CARTOS54RS/CARTOS54RG



BEFORE USE, PLEASE READ AND FOLLOW ALL SAFETY RULES AND OPERATING INSTRUCTIONS.

Write Model & Serial Nos. (on back of unit) here:

Model: _____

Serial #: _____

Felix Storch, Inc.
An ISO 9001:2015 registered company
770 Garrison Avenue
Bronx, New York 10474
www.summitappliance.com

TABLE OF CONTENTS

Appliance Safety	3
Important Safeguards	3-4
Parts	5-6
Installation Instructions	7-10
Before Using Your Appliance	7
Installation of Your Appliance	7-8
Electrical Connection	8
Backsplash Installation	9
Attaching the Sink Cover	9
Water Faucet Installation and Water Line Connection	9
Sink Strainer Installation and Water Drain	10
Installation of Your Refrigerator	10
Operating Your Refrigerator	11
Care and Maintenance	11
Cleaning Your Appliance	11
Cleaning Burners and Reflector Bowls	11
Power Failure	11
Vacations	11
Moving Your Appliance	11
Troubleshooting	12
Limited Warranty	13

APPLIANCE SAFETY

Your safety and the safety of others are very important.

We have provided many important safety messages in this manual and on your appliance. Always read and obey all safety messages.



This is the Safety Alert Symbol. The symbol alerts you to potential hazards that can kill or injure you and others. All safety messages will follow the Safety Alert Symbol and either the words **DANGER** or **WARNING**.



DANGER means that failure to heed this safety statement may result in severe personal injury or death.



WARNING means that failure to heed this safety statement may result in extensive product damage, serious personal injury, or death.

All safety messages will alert you about the potential hazard, tell you how to reduce the chance of injury, and let you know what can happen if the instructions are not followed.

IMPORTANT SAFEGUARDS



Before the appliance is used, it must be properly positioned and installed as described in this manual, so read the manual carefully. To reduce the risk of fire, electrical shock or injury when using the appliance, follow basic precautions, including the following:



- Plug into a grounded 3-prong outlet, do not remove the grounding prong, do not use an adapter, and do not use an extension cord.
- After servicing, replace all panels before operating.
- It is recommended that a separate circuit serving only your appliance be provided. Use receptacles that cannot be turned off by a switch or pull chain.
- Never clean appliance parts with flammable fluids. These fumes can create a fire hazard or explosion. And do not store or use gasoline or other flammable vapors and liquids in the vicinity of this or any other appliance. The fumes can create a fire hazard or explosion.
- Before proceeding with cleaning and maintenance operations, make sure the power line of the unit is disconnected.
- Do not connect or disconnect the electric plug when your hands are wet.
- Unplug the appliance or disconnect the power before cleaning or servicing. Failure to do so can result in electrical shock or death.
- User Servicing - Do not attempt to repair or replace any part of your appliance unless it is specifically

recommended in this manual. All other servicing should be referred to a qualified technician.

WARNING

FOLLOW THE WARNING CALLOUTS BELOW ONLY WHEN APPLICABLE TO YOUR MODEL

- Use two or more people to move and install appliances. Failure to do so can result in back or other injuries.
- To ensure proper ventilation for your appliance, the front of the refrigerator must be completely unobstructed. Choose a well-ventilated area with temperatures above 60°F (16°C) and below 90°F (32°C). This unit must be installed in an area protected from the elements, such as wind, rain, water spray or drips.
- The refrigerator should not be located next to ovens, grills, or other sources of high heat.
- The appliance must be installed with all electrical, water, and drain connections in accordance with state and local codes. A standard electrical supply (115 V AC only, 60 Hz), properly grounded in accordance with the National Electrical Code and local codes and ordinances, is required.
- Do not kink or pinch the power supply cord of the appliance.
- The size of the fuse (or circuit breaker) should be 15 amperes.
- It is important that the appliance be leveled in order to work properly. You may need to make several adjustments to level it.
- Proper Installation - Be sure your appliance is properly installed, per the manufacturer's instructions.
- Never use your appliance for warming or heating the room.
- Do Not Leave Children Alone - Children should not be left alone or unattended in the area where the appliance is in use. They should never be allowed to sit or stand on any part of the appliance.
- Wear Proper Apparel – Loose-fitting or hanging garments should never be worn while using the appliance.
- Storage in or on Appliance - Flammable materials should not be stored in the unit.
- When Replacing Your Faucet – For safety reasons do not use a spout longer than 150mm (6").
- All installations must be in accordance with local plumbing code requirements.
- Make certain that the pipes are not pinched, kinked, or damaged during installation.
- Check for leaks after connection.
- Never allow children to operate, play with or crawl inside the appliance.
- Do not use solvent-based cleaning agents or abrasives on the interior. These cleaners may damage or discolor the interior.
- Use this appliance only for its intended purpose as described in this *Owner's Manual*.
- Keep fingers out of the "pinch point" areas. Clearances between the doors and between the doors and cabinet are necessarily small. Be careful closing doors when children are in the area.

DANGER

Risk of child entrapment!

Child entrapment and suffocation are not problems of the past. Junked or abandoned appliances are still dangerous, even if they will "just sit in the garage a few days."

Before discarding your old refrigerator:

- *Take off the doors*
- *Leave the shelves in place so that children may not easily climb inside.*

- SAVE THESE INSTRUCTIONS -

PARTS

Storage Compartment

Slide-Out Waste Compartment

Refrigerator

Caster Wheels
(Front wheels include locks)

Draining Grooms

Sink Cover

Handle

Speed Rail

Stainless Steel Top

Backsplash*

Faucet*

Speed Rail

*** Ships unassembled**

PARTS



Cutting Board



Vinyl Cover*



Faucet Plugs



Sink Cover



Waste Container (6 gal)



Trash Bins



Bottle Opener



Gaskets



Pipe Cap

Hose Adapter

* To be used when the unit is not in use to protect it from the elements.

INSTALLATION INSTRUCTIONS

BEFORE USING YOUR APPLIANCE

- Remove the exterior and interior packing.
- Before connecting the refrigerator of your Serving Cart to the power source, let it stand upright for approximately 2 hours. This will reduce the possibility of a malfunction in the cooling system from handling during transportation.
- Clean the interior surface with lukewarm water using a soft cloth.

INSTALLATION OF YOUR APPLIANCE

NOTE: To remove the crisper and/or shelves of the refrigerator, a clearance of 10 inches is required. When placing the refrigerator inside the cart, leave at least 3/16" clearance on both sides, 1/16" at the top, and 2" at the rear. Be sure that airflow under the appliance is not blocked.

- For satisfactory water drainage of the sink, and proper cabinet door function, it is important to level the Serving Cart in both directions.
- Avoid locating the unit in moist areas as this may result in the risk of electrical shock.
- Do not under any circumstances cut or remove the third (ground) prong from the power cord of your refrigerator. Any questions concerning power and/or grounding should be directed toward a certified electrician or an authorized service center.
- After connecting the appliance to the power supply, allow the Refrigerator to cool down for 2-3 hours before placing items inside.

NOTE: If you are planning on keeping the Serving Cart outdoors while not in use, use the provided vinyl cover to protect the unit from the sunlight and prevent discoloration of the cart.

ELECTRICAL CONNECTION

⚡WARNING⚡

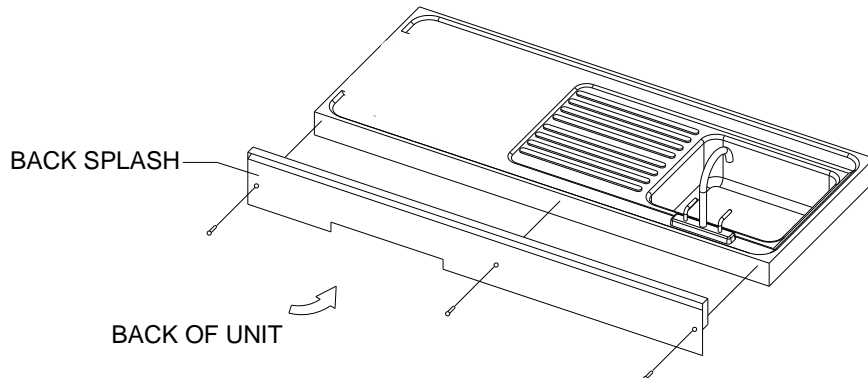
Improper connection of the equipment-grounding can result in the risk of electrical shock. If the power cord of the refrigerator is damaged, have it replaced by an authorized service center.

- This appliance should be properly grounded for your safety. The refrigerator's power cords of the appliance are equipped with a grounded plug which mates with standard three-prong wall outlets to minimize the possibility of electrical shock.
- Do not under any circumstances cut or remove the third ground prong from the power cord supplied. For personal safety, this appliance must be properly grounded.
- This appliance requires a standard 115/120 Volt AC ~/60Hz electrical ground outlet with three-prong socket. Have the wall outlet and circuit checked by a qualified electrician to make sure the outlet is properly grounded. When a standard 2-prong wall outlet is encountered, it is your responsibility and obligation to have it replaced with a properly grounded 3-prong wall outlet.
- To prevent accidental injury, the cord should be secured behind the appliance and not left exposed or dangling.
- The appliance should always be plugged into its own individual electrical outlet which has a voltage rating that matches the rating label on the appliance. This provides the best performance and also prevents overloading house wiring circuits that could cause a fire hazard from overheating. Never unplug the appliance by pulling the power cord. Always grip the plug firmly and pull straight out from the receptacle. Repair or replace immediately all power cords that have become frayed or otherwise damaged. Do not use a cord that shows cracks or abrasion damage along its length or at either end.
- When moving the appliance, be careful not to damage the power cord.
- Do not attempt to repair or replace any part of the appliance unless it is specifically recommended in this manual. All other servicing should be referred to a qualified technician.
- To minimize the possibility of electric shock, disconnect this appliance from the A/C power supply before attempting any maintenance.
- Do not use extension cords to connect the refrigerator to the power supply.

NOTE: *Turning the appliance off does not disconnect the appliance from the power supply. We recommend having a qualified technician service your appliance.*

BACKSPLASH INSTALLATION (OPTIONAL)

Install the backsplash to the serving cart as shown below:

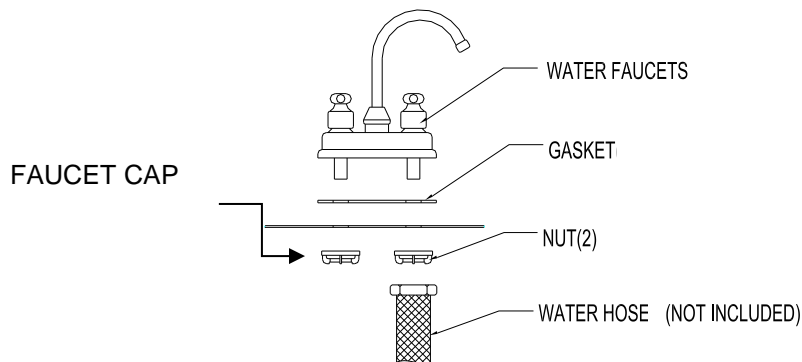


ASSEMBLING THE SINK COVER

1. Place the handle over the holes on the cap, then using a screwdriver, screw in the provided handle to affix the handle onto the cap.

WATER FAUCET INSTALLATION AND WATER LINE CONNECTION

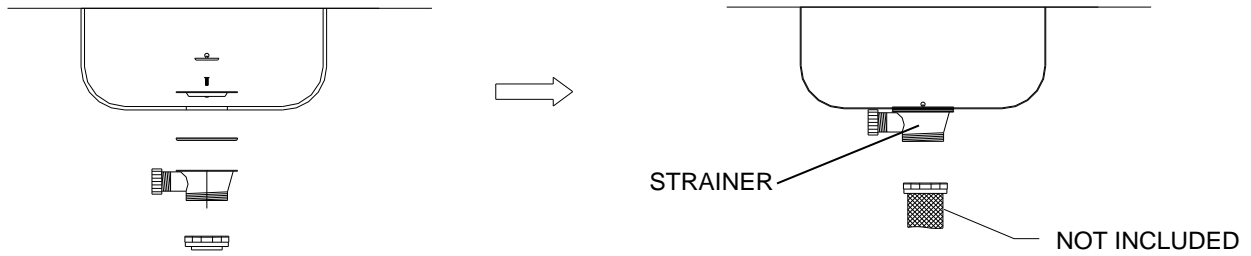
⚡ WARNING ⚡
IMPROPER WATER LINE CONNECTION MAY RESULT IN FLOODING.
REVIEW STATE AND LOCAL PLUMBING CODES BEFORE INSTALLATION.



1. Remove the covers from the pre-drilled holes atop the sink and place the gasket over the holes.
2. Liberally apply Teflon Tape (**not included**) to both water inlets.
3. Attach the connecting hose piece to the tap you wish to use to control the flow of water. Apply the cap to the unused tap.
4. Lower the faucet through the gasket and pre-drilled holes.
5. From the rear of the cart, connect your hose to the faucet. To complete the connection, open the water valve and let the water run through the hose.

SINK STRAINER INSTALLATION AND WATER DRAIN

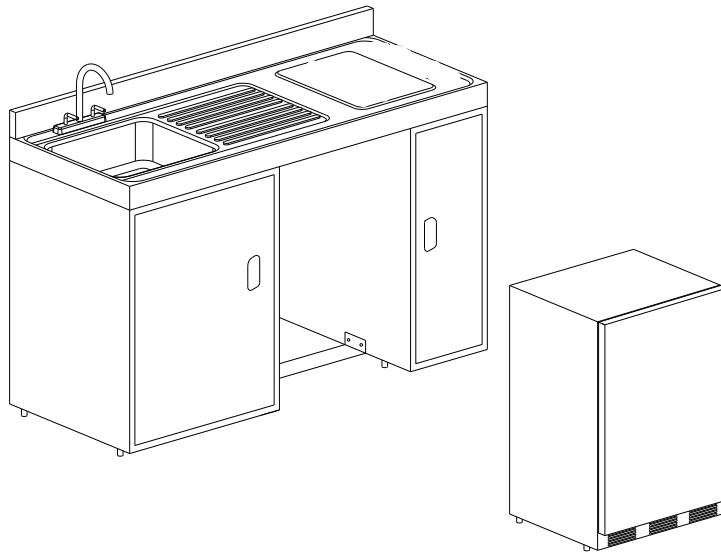
- The sink strainer is already preassembled in the factory.
- Secure the water drain system to the sink strainer as below shown.



INSTALLATION OF YOUR REFRIGERATOR

NOTE: The refrigerator is supplied with a separate instruction manual. Please review prior to the final installation of your Serving Cart.

- Disconnect the power supply. Failure to disconnect the appliance could result in electrical shock or personal injury.
- Connect the Refrigerator power supply cord to the power.
- Slide the refrigerator into the slot of the cart by slightly lifting the rear part of the refrigerator. Make sure the power supply cord is not kinked or damaged under the refrigerator.



OPERATING YOUR REFRIGERATOR

OPERATING YOUR REFRIGERATOR

The refrigerator is supplied with a separate instruction manual where you will find the details on how to operate the refrigerator.

CARE AND MAINTENANCE

CLEANING YOUR APPLIANCE

- Turn off the power, unplug the refrigerator, then remove all items including shelves and rack.
- Wash the inside surfaces with a solution of warm water and baking soda. The solution should consist of about 2 tablespoons of baking soda in a quart of water.
- Wash the shelves and rack with a mild detergent solution.
- The outside of the Serving Cart should be cleaned with mild detergent and warm water.
- Wring excess water out of the sponge or cloth when cleaning the area of the controls, or any electrical parts.
- Wash the outside cabinet with warm water and mild liquid detergent. Rinse well and wipe dry with a clean, soft cloth.

CAUTION: Failure to unplug the appliance during cleaning could result in electrical shock or other personal injuries.

POWER FAILURE

- Most power failures are corrected within a few hours and should not affect the temperature of your refrigerator if you minimize the number of times the door is opened. If the power is going to be off for a longer period of time, you need to take the proper steps to protect the contents of the refrigerator.

VACATIONS

- **Short vacations:** Leave the Refrigerator of your Serving Cart operating during vacations of less than three weeks.
- **Long vacations:** If the appliance will not be used for several months, remove all items, and turn off the power supply. Clean and dry the interior thoroughly. To prevent odor and mold growth, leave the door open slightly, blocking it open if necessary.

NOTE: LONG-TERM EXPOSURE TO THE SUN'S UV RAYS WILL CAUSE DISCOLORATION TO YOUR UNIT'S FINISH. PLEASE USE THE INCLUDED VINYL COVER WHEN THE CART IS NOT IN USE.

MOVING YOUR APPLIANCE

- Disconnect the power supply from the refrigerator.
- Disconnect the hose from the faucet.
- Remove all items from the storage compartment.
- Unplug the refrigerator, remove it from the Serving Cart, and move them separately.
- Securely tape down all loose items (shelves and basket) inside your Serving Cart Compartment and Refrigerator.
- Turn the adjustable feet up to the base to avoid damage.
- Tape the doors shut.
- Be sure the Serving Cart and Refrigerator stay secure in the upright position during transportation. Also, protect the outside of the Serving Cart and Refrigerator with a blanket or similar item.

TROUBLESHOOTING

You can solve many common problems easily, saving you the cost of a possible service call. Try the suggestions below to see if you can solve the problem before calling a service technician.

Troubleshooting Guide

PROBLEM	POSSIBLE CAUSE
Serving Cart does not operate.	Not connected to power supply. Circuit breaker is tripped, or fuse has blown.
The Refrigerator does not operate.	Not connected to power supply. Circuit breaker is tripped, or fuse has blown. The temperature control knob is set in "OFF" position.
The Refrigerator turns on and off frequently.	The room temperature is hotter than normal. The door is opened too often. The door is not closed completely. The temperature control is not set correctly. The door gasket does not seal properly.
Vibrations	Check to assure that the refrigerator is leveled.
The Refrigerator seems to make too much noise.	The rattling noise may come from the flow of the refrigerant, which is normal. As each cycle ends, you may hear gurgling sounds caused by the flow of refrigerant. Contraction and expansion of the inside walls may cause popping and crackling noises. The refrigerator is not leveled.
The refrigerator door will not close properly.	The refrigerator is not leveled. The gasket is dirty. The shelves are out of position.

If you have checked the table above and find that you still need help with your appliance, call our Customer Service facility at **800-932-4267** between 9:00 AM and 5:00 PM ET or visit <https://www.summitappliance.com/support> at any time. We will do our best to answer your questions.

LIMITED WARRANTY

ONE-YEAR LIMITED WARRANTY

Within the 48 contiguous United States, for one year from the date of purchase, when this appliance is operated and maintained according to instructions attached to or furnished with the product, warrantor will pay for factory-specified parts and repair labor to correct defects in materials or workmanship. Service must be provided by a designated service company. Outside the 48 states, all parts are warranted for one year from manufacturing defects. Plastic parts, shelves and cabinets are warranted to be manufactured to commercially acceptable standards, and are not covered from damage during handling or breakage.

5-YEAR COMPRESSOR WARRANTY

1. The compressor is covered for 5 years.
2. Replacement does not include labor.

ITEMS WARRANTOR WILL NOT PAY FOR:

1. Service calls to correct the installation of your appliance, to instruct you how to use your appliance, to replace or repair fuses or to correct wiring or plumbing.
2. Service calls to repair or replace appliance light bulbs or broken shelves. Consumable parts (such as filters) are excluded from warranty coverage.
3. Damage resulting from accident, alteration, misuse, abuse, fire, flood, acts of God, improper installation, installation not in accordance with electrical or plumbing codes, or use of products not approved by warrantor.
4. Replacement parts or repair labor costs for units operated outside the United States.
5. Repairs to parts or systems resulting from unauthorized modifications made to the appliance.
6. The removal and reinstallation of your appliance if it is installed in an inaccessible location or is not installed in accordance with published installation instructions.

DISCLAIMER OF IMPLIED WARRANTIES; LIMITATION OF REMEDIES

CUSTOMER'S SOLE AND EXCLUSIVE REMEDY UNDER THIS LIMITED WARRANTY SHALL BE PRODUCT REPAIRS PROVIDED HEREIN. IMPLIED WARRANTIES, INCLUDING WARRANTIES OF MERCHANTABILITY OR FITNESS FOR A PARTICULAR PURPOSE, ARE LIMITED TO ONE YEAR. WARRANTOR SHALL NOT BE LIABLE FOR INCIDENTAL OR CONSEQUENTIAL DAMAGES. SOME STATES DO NOT ALLOW THE EXCLUSION OR LIMITATION OF INCIDENTAL OR CONSEQUENTIAL DAMAGES, OR LIMITATIONS ON THE DURATION OF IMPLIED WARRANTIES OF MERCHANTABILITY OR FITNESS, SO THESE EXCLUSIONS OR LIMITATIONS MAY NOT APPLY TO YOU. THIS WARRANTY GIVES YOU SPECIFIC LEGAL RIGHTS AND YOU MAY ALSO HAVE OTHER RIGHTS, WHICH VARY FROM STATE TO STATE.

WARNING: This product can expose you to chemicals including Nickel (Metallic) which is known to the State of California to cause cancer.

For more information go to www.P65Warnings.ca.gov

Note: Nickel is a component in all stainless steel and some other metal components.

FELIX STORCH, INC.
770 Garrison Avenue
Bronx, NY10474
Phone: (718) 893-3900
Fax: (844) 478-8799
www.summitappliance.com

SUMMIT
SPECIALTY APPLIANCES

For parts and accessory ordering,
troubleshooting and helpful hints, visit:
www.summitappliance.com/support