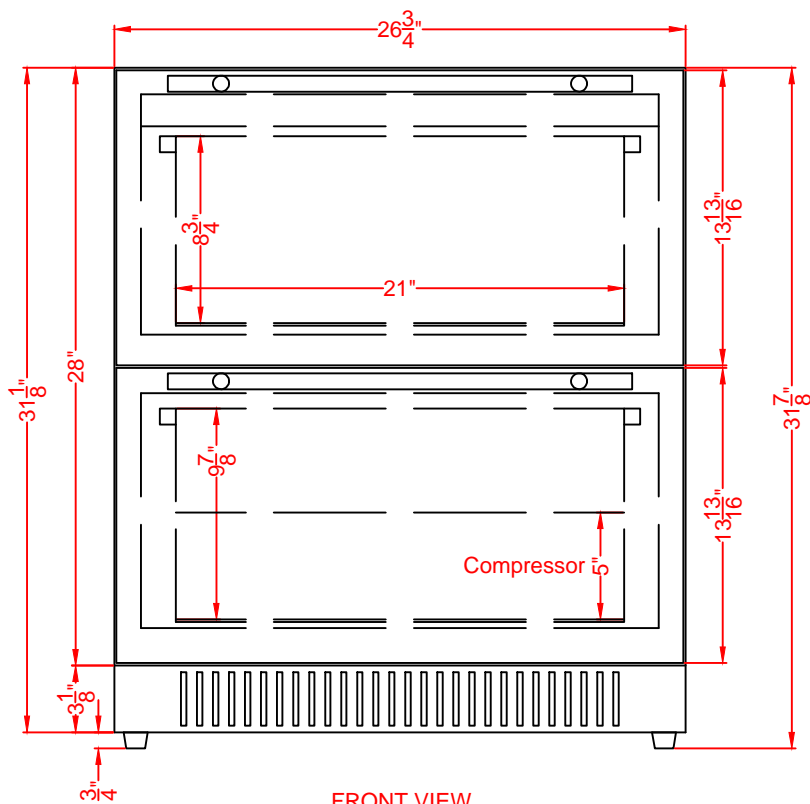


TOP VIEW



FRONT VIEW

**SPR275OS2DADA**  
**ADDRD27ADA**  
**LD272DADA**  
**Drawer-Refrigerator**  
**01/18/23**

**SUMMIT**  
 FELIX STORCH, INC.  
[www.summitappliance.com](http://www.summitappliance.com)  
 718-393-3900